

# TOTAL

One-Stop Tools Station

TOTAL

## SILICONE GUN

TT101116



20W(Max.100W)

# Security instructions



## Caution

Read all safety warnings and all instructions. Failure to follow all warnings and instructions may result in electrical shock, fire, and/or serious injury.

The term “power tool” in the warnings refers to your mains-operated (corded) power tool or battery-operated (cordless) power tool.

*Note: Save all warnings and instructions for future reference. Due to technical product updates, this document is subject to change without notice.*



## Caveat

Do not open the case. Unprotected dangerous voltage is found on some components inside the product's enclosure; contact with these can cause an electric shock.

- The product may only be repaired by qualified service personnel.
- The product cannot be disassembled or changed.
- Do not place the product so that it can fall into water or other liquid.
- Do not place objects containing water on the product.
- Please pull out the plug when the glue gun is not in use; let it cool down before storing it.
- Check that the voltage indicated on the marking plate corresponds to the voltage of the local electrical network.
- The glue gun is not a toy, do not allow children to use it without supervision.
- Never leave the hot glue gun unattended when it is turned on and/or when the cord is connected to the power outlet.
- The glue gun is made for indoor use; protect it from water and moisture.
- The following safety precautions must be followed to avoid the risk of fire:
  - Be careful when using the glue gun in spaces with flammable material.
  - Do not hold the hot glue gun over the same spot for a long time.
  - Do not use the tool in explosive environments.
  - Please note that heat can lead to flammable material that is out of sight.
- Put the hot glue gun on the stand after use and let it cool down before storing.



## Caveat

The glue is very hot during use. May cause skin burns. Rinse immediately with cold water.

# Other risks

Even when the power tool is used as prescribed, it is not possible to eliminate all residual risk factors:

- a. Health defects resulting from vibration emission if the power tool is used for a longer period of time or if it is not managed and maintained properly.
- b. Injuries and property damage due to broken fixtures breaking suddenly.



### Caution

This power tool produces an electromagnetic field during operation. This field can, in some circumstances, interfere with active or passive medical implants.



To reduce the risk of serious injury, we recommend that persons with medical implants consult their physician before using this power tool.

If the cable is damaged or cut during work, do not touch the cable, immediately unplug the tool. Never use the machine with a damaged cable.

The machine must not be damp and must not be used in a humid environment.



### Attention

Safe operation of this machine is only possible when the operating or safety information is fully read and the instructions contained therein are strictly followed.



## Safety rules for correct use



Please read the instruction manual before use.



CE conformity.



Wear safety glasses, hearing protection and a dust mask.



Waste electrical products must not be disposed of with household waste. Please recycle at the appropriate facilities. Check with your local authority or retailer for recycling advice.



Security alert. Use only accessories supported by the manufacturer.

## Technical data

Data sheet	
<b>Voltage</b>	220-240V
<b>Power</b>	20W (Max.100W)
<b>Frequency</b>	50/60Hz
<b>Glue stick diameter</b>	11.2mm
<b>Gluing capacity</b>	13-18g/min

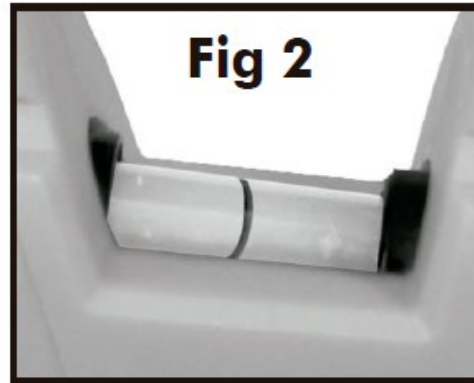
## Product description



The silicone gun is made to glue wood, paper and cardboard, as well as some plastic materials.

## Start up

1. Connect the plug to the outlet.
2. Press the switch to "I" position, then let the glue gun warm up for about 5-7 minutes before starting to work.
3. Put a silicone stick in the opening on the back of the gun as indicated in the picture.
4. Push the glue stick in as far as it will go.
5. Pull the trigger several times to advance the silicone stick.
6. Press the trigger to advance the silicone when it starts to melt.
7. Apply melted glue to the surfaces to be joined, and then press the glued surfaces together for 15 seconds.
8. Press the switch to "O" position while finishing working, then unplug the glue gun.



When the glue stick runs out, the gun cannot work regularly, because the trigger cannot push the glue stick (Fig. 1).

At this time, you need to put a new bar, so that the new bar can push the old one. In this way the glue gun will work regularly (Fig. 2).

## Maintenance

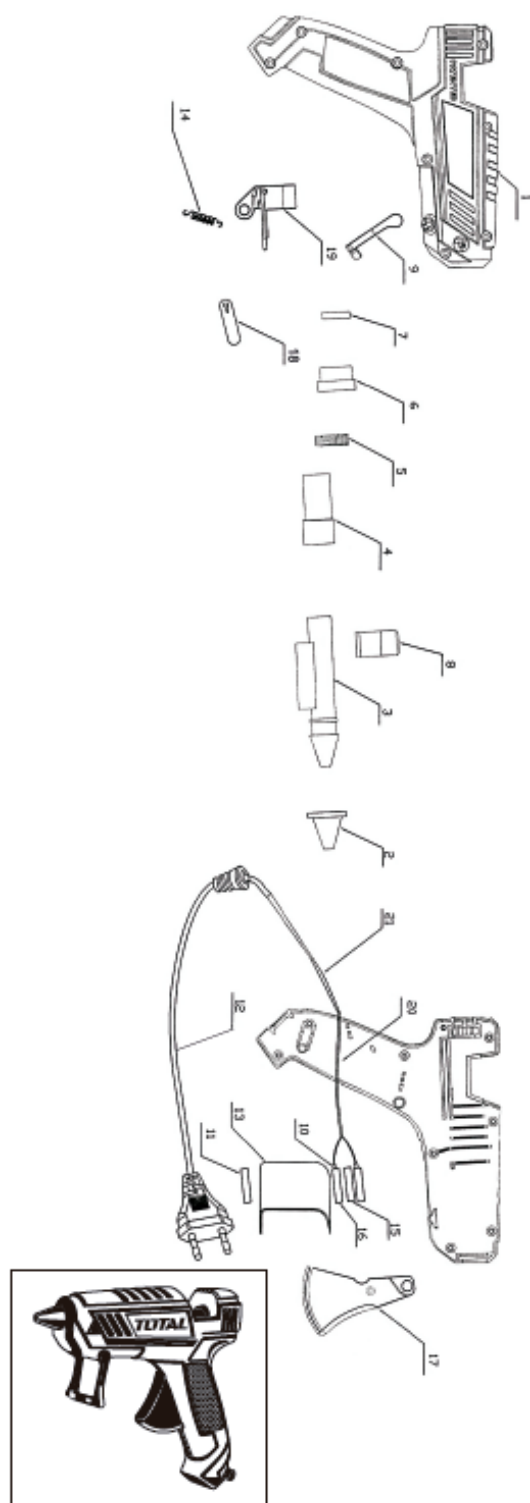
- Clean the glue gun regularly (remove glue and material residue). For best results, do this immediately after the job is complete.
- Do not allow liquids to get inside the tool. Use a soft cloth to clean the case. Do not use gasoline, solvents or cleaners that can attack the plastic.
- Air outlets should always be clean and clear.

## Environment



- Do not dispose of electrical appliances as unsorted municipal waste, use separate collection facilities.
- Contact your local authority for information on available collection systems.
- If electrical appliances are disposed of in landfills, hazardous substances can seep into the groundwater and enter the food chain, harming your health and well-being.
- Recycle raw materials instead of disposing of them as waste.
- The machine, accessories and packaging must be sorted for environmentally friendly recycling.

# Exploded view





# TOTAL

One-Stop Tools Station

TOTAL



SILICONE GUN

20W(Max. 100W)