

TOTAL

One-Stop Tools Station

TOTAL

BATTERY PRUNING SHEARS

TSSLI2001

INDUSTRIAL

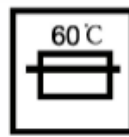


20V

Attention



Precautions: When using pruning shears, make sure that fingers and other parts of the human body are not within the working range of the blade. The operator will be responsible for the damages caused by the violation of the warnings by the operator.



1. Please read the manual carefully.
2. The battery can only be charged indoors.
3. Double insulated, no grounding required
4. Fail Safe Transformer Charger
5. Battery charging will be automatically cut off when overheating occurs.
6. Please dispose of the battery charger separately from household waste.
7. Please dispose of the battery separately from household waste.



Please read all warnings and safety instructions carefully. Failure to follow the warnings and instructions can result in electrical shock, serious tire and burn injuries, and other accidents.



Do not use or expose the electric pruning shears in rainy conditions.



Never place your hands near the cutting area of the electric pruning shears during operations.



Never touch charged objects with electric scissors.



Product description

This product is a battery-powered electric pruning shear, it consists of a fixed blade, a movable blade, a lithium battery, a battery charger, a tool box and other components. designed to cut or trim branches of 25mm or less in orchards or orchards, vineyards, etc.

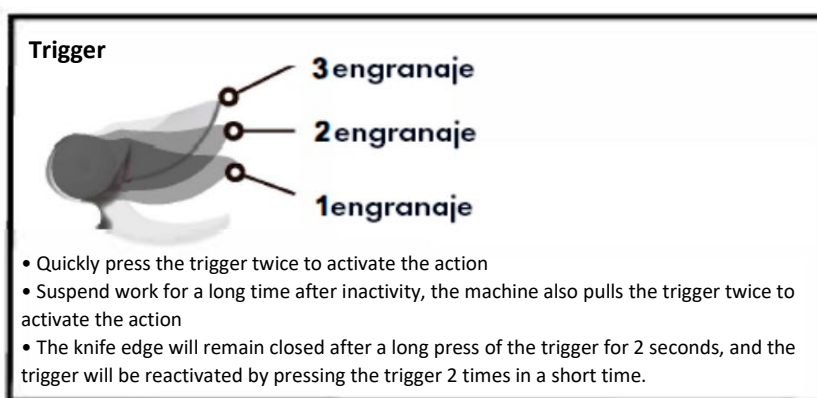
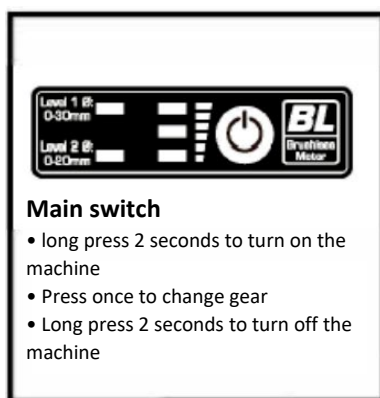
Simple and easy to operate, it also has 8-10 times the efficiency of traditional hand trimmers. The quality of pruning is significantly higher compared to manual pruners.

Technical data

Basic electricity information	
Voltage	20V
Lithium Battery	20Ah
Cutting diameter	30 mm (soft branches)

Instructions for use for the first use

1. Insert the battery into the mower's power connector.
2. turn on the mower's power switch. Due to first time use, the LEO display indicator will be green and the buzzer will ring 1 time.
3. Double click the trigger, the mower blades will open automatically.
4. **normal pruning:** Press the trigger to close the blades and release the trigger to open the blades.
blade closure: Keep pressing the trigger, a buzz means the blade will stay closed.
5. Before operation, to see if the mower works well, press the trigger to class and release the trigger to open the blades without cutting anything. Repeat up to here a few times.



Saving Instructions

1. Press the trigger and hold it for a few seconds and then release it, the blade will close and not open.
2. Power off battery, disconnect battery.

Attention

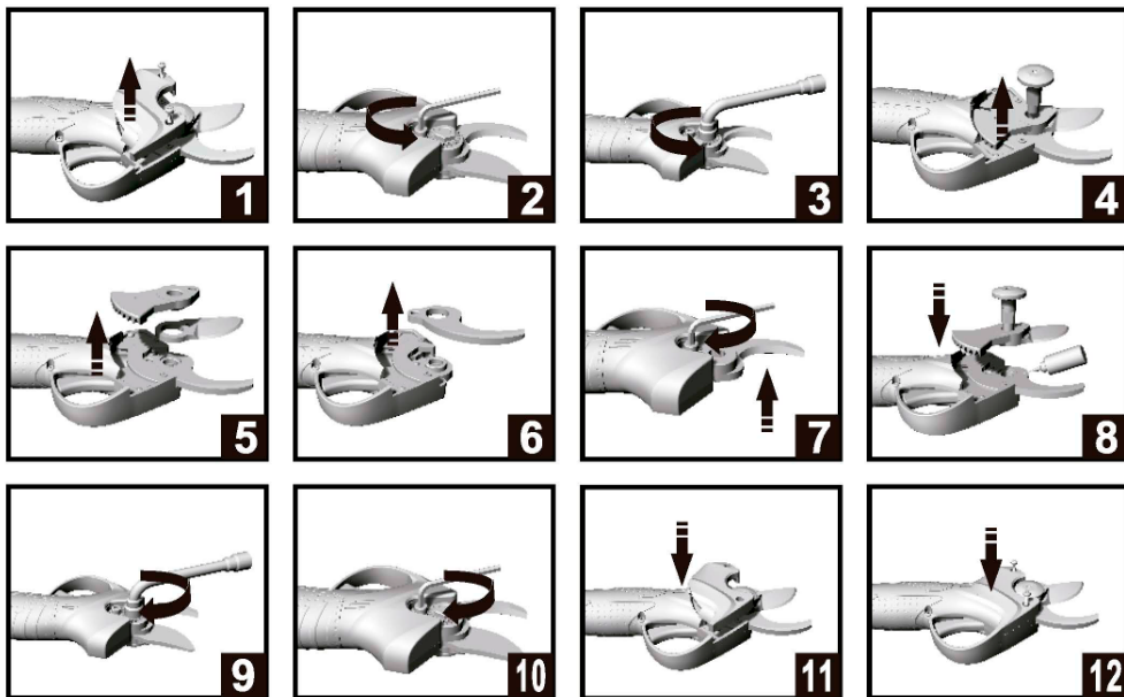


1. During charging, it is normal for the charger and battery to be warm.
2. If the battery is not used for a long time, it is recommended to charge the battery once every 3 months, this is to ensure that the battery is not affected by low usage.
3. For a new battery or a battery that has not been used for a long time, it will need about 5 charging cycles before reaching its full capacity.
4. Do not recharge a fully charged battery only after a few minutes of use, this will reduce battery life and efficiency.
5. Do not use a damaged battery and do not disassemble the charger or battery.
6. Do not put the battery near a high temperature heat source, the battery will explode in the tire or prolonged exposure to a high temperature heat source.
7. Do not charge the battery in an outdoor or humid environment.
8. It is normal for the pruning shears to reduce the cutting diameter when the battery capacity is running low.
9. Do not use the pruning shears while charging. It must be disconnected from the battery when charging.
10. Do not store the battery in a humid environment.

Blade replacement

When the moving blade no longer crosses the fixed blade in its entire length, or when the electric trimmer can no longer have a clean cut after grinding, it is recommended to replace the blade by following these steps:

1. More safety, before replacing the blade, make sure the pruning shears are turned off and the power cord is disconnected from the battery.
2. See the diagrams below for the procedure to replace the blade.
3. Clean the blade after replacing it, connect the power cable to the battery, power on to test the blade, raise the blade to complete the whole procedure.



Fixed and moving knives can be replaced individually; Don't worry about the size of the replacement blade opening, the opening will automatically return to normal lock during power on after the blade replacement is completed.

Operating precautions



Use and care of pruning shears

1. Do not cut branches beyond the specified diameter indicated, do not cut hard items such as metal, stone or any other non-vegetable material. If the blades are worn or damaged, replace them.
2. Keep the pruning shears clean, use a clean cloth to clean the pruning shears, battery and charger (do not use any abrasive or solvent-based cleaning agents), use a soft or dry brush to clean the dust on the pruning shears. prune head
3. Do not immerse the pruning shears, battery or charger in any liquid.
4. Follow the instructions given for proper use of the pruning shears, do not use the pruning shears when the tool, battery or charger is damaged.

5. Do not use the pruning shears if it cannot work or cannot be shredded properly, please send it for repair immediately. It is dangerous to use the pruning shears when the tool cannot work or shut down properly.
6. Make sure the trimmer is turned off during any adjustments, changing accessories, or storage. This protection measure is intended to reduce the risk of accidental activation of the pruning shears.
7. Make sure the blades are closed when not in use, store the pruning shears. keep it out of the reach of children, do not allow anyone who is not familiar with the operation or instructions of the pruner to use the pruner, it is dangerous to use the pruner without proper training and knowledge.
8. The use of the pruning shears must comply with the instructions established in this manual and the methods of use, as well as taking into account the work environment and the nature of the work carried out. Using the pruning shears that is not within its capacity and outdated specifications is dangerous.
9. Remove all dirt from the moving and stationary blades after each use, then apply lubricant. on the side of the blade where the bolt moves and the blade contact is fixed. This will ensure that the blades remain in good condition and will reduce drag during use, prolonging the life of the trimmer and blade.
10. Keep the balustrade out of the reach of children.
11. Do not use or place the battery in direct sunlight (or in a vehicle that is in direct sunlight) which will cause the battery to overheat or burn, shortening the battery life.
12. Do not use the battery in an electrostatic environment (above 64V).
13. Do not use batteries that are corroded, have an unpleasant odor, or appear abnormal.
14. If skin or clothing comes into direct contact with battery fluid, wash immediately with clean water.
15. Please keep the battery fully charged when the pruning shears are not used for a long period of time.

Security notes

Attention

Please read all instructions carefully; Failure to follow instructions may result in electric shock, fire, or other serious damage.

Safety in the workplace

1. Keep the work area clean and bright, messy and dark workplace can cause accidents.
2. Do not use the pruning shears in an explosive, flammable or humid environment.
3. Keep CHILDREN and bystanders away before operating the pruning shears to avoid accidental injury due to distraction.

Electrical safety

1. The battery plug of the pruning shear must be compatible with the plug of the power cord, do not modify the plug and socket.
2. Do not expose the pruning shears to rain, a damp environment, water or any other moisture that may cause electric shock.
3. Keep pruning shears away from heat, oil, sharp edges, or moving parts.

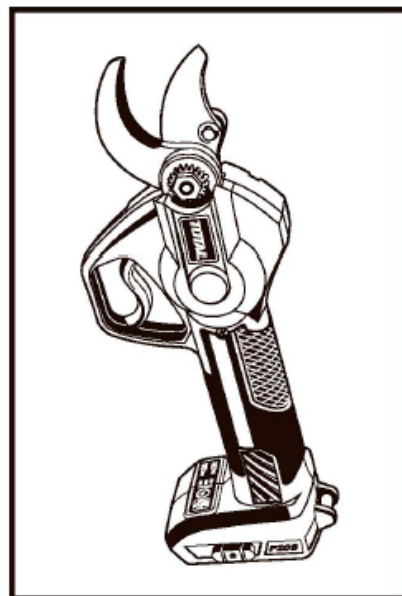
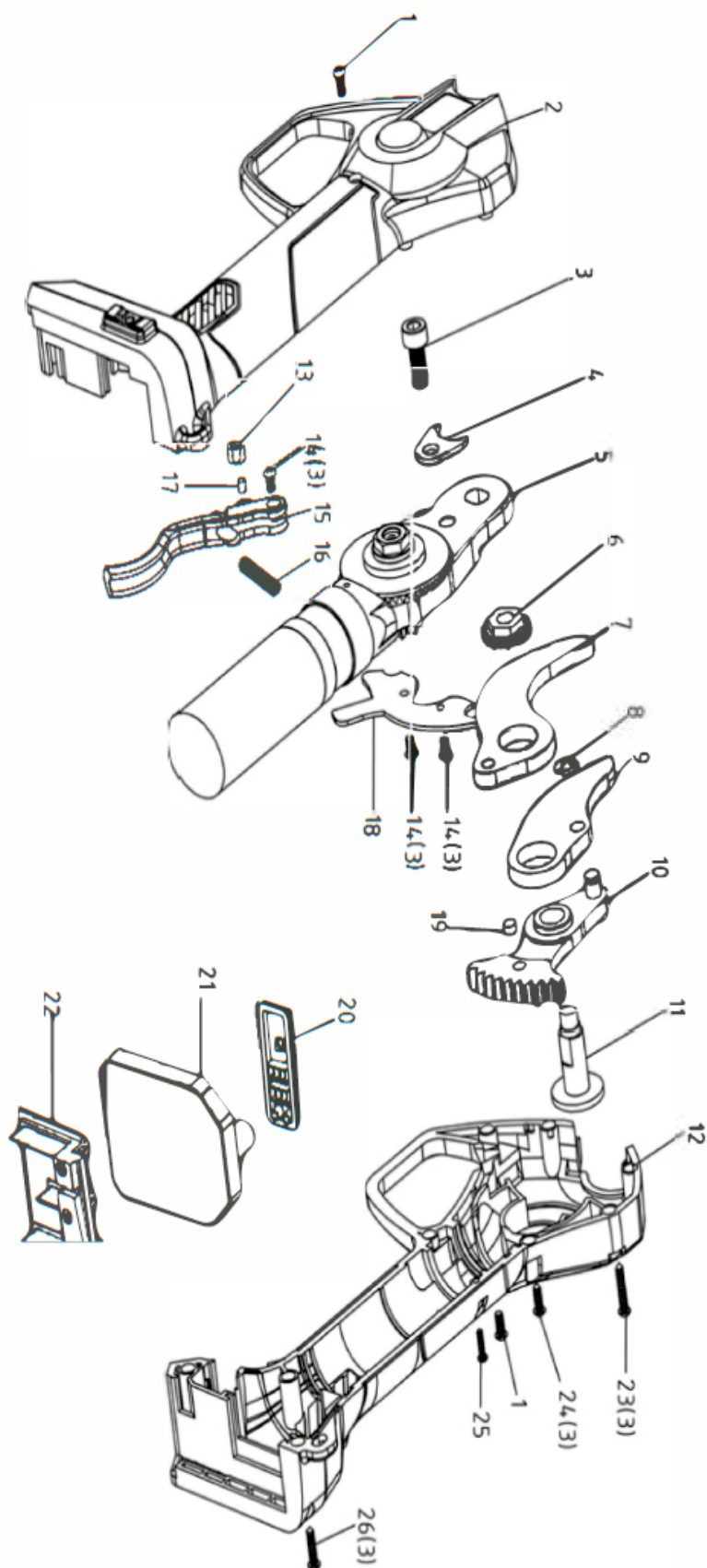
Worker safety

1. Please read the instructions and manual carefully before using the electric pruning shears. Doing the operation and staying alert, do not perform related operations in the case of fatigue, distraction by drugs or drink during work may cause serious personal injury.
2. When using safety protection devices, always wear protective equipment such as goggles. Under appropriate conditions, wear dust-proof masks, non-slip safety shoes, hard hats, and hearing protection devices to reduce personal injury.
3. Always remove all adjusting wrenches or spanners before the electric pruning shears are turned on, leave them on the electric pruning branches. The wrench or spanner in the rotating part may cause personal injury.
4. When operating, keep your hands away from the cutting area. Under no circumstances, never bend your hand over the material. Next, make sure that the material below the cutting area is not damaged by the cutting edge and that it must be preserved at all times. Pay attention to the balance between the feet and the body so that you can control the electric pruning shears in case of an accident;
5. It is strictly forbidden to wear loose clothing and accessories when pruning and shearing operations are carried out. Make sure hair, clothing, and sleeves are out of the way. Stay away from moving parts and keep loose clothing, accessories, and long hair from becoming entangled in moving parts.

Irregularity measures

1. In the event that the pruning shears cannot cut an object, release the trigger immediately and the moving blade will return to its open position automatically.
2. In the event that the pruning shears are cutting a particularly hard branch, release the trigger immediately and the moving blade will return to its open position automatically.
3. In case the battery does not charge properly, please check if the charger is provided with the package during purchase. The next thing is to make sure that the supply voltage to the charger is the same as the specification of the charger.
4. In case of electrical or mechanical failure, turn it off immediately.
5. Failure to follow the instructions in this manual may result in battery fluid leakage, do not come into contact with leaking battery fluid. In case of accidental contact with battery fluid, wash it off with clean water immediately. If battery fluid still gets into your eyes, wash your eyes with clean water and seek hospital assistance. Leaking battery fluid can cause irritation or burns.

Exploded view



TOTAL

One-Stop Tools Station

TOTAL



www.millasur.com