

TOTAL

One-Stop Tools Station

TOTAL

MULTITOOL

TS3006



300W

Security instructions



Caution

Read all safety warnings and all instructions. Failure to follow all warnings and instructions may result in electrical shock, fire, and/or serious injury. Observe the relevant safety precautions when using the tool.

The term “power tool” in the warnings refers to your mains-operated (corded) power tool or battery-operated (cordless) power tool.

Note: Save all warnings and instructions for future reference. We are not responsible for accidents or damage caused by ignoring this manual and safety instructions.

1) Work area safety

- a. Keep the work area clean and well lit to prevent accidents.
- b. Do not use power tools in explosive atmospheres, such as in the presence of flammable liquids, gases, or dust that can cause fires.
- c. Keep children and other unauthorized persons away while using a power tool. Distractions can cause you to lose control of the tool.

2) electrical safety

- a. Power tool plugs must match the outlet. Never modify the plug in any way. Using a suitable plug reduces the risk of electric shock.
- b. Avoid bodily contact with grounded surfaces such as pipes, radiators, ranges, and refrigerators. There is an increased risk of electric shock if your body is grounded.
- c. Do not expose power tools to rain or wet conditions. Water entering a power tool will increase the risk of electrical shock.
- d. Never use the cord to carry, pull or unplug the power tool. Keep cord away from heat or oil, sharp edges, or moving parts.
- e. When using a power tool outdoors, use an extension cord suitable for outdoor use.
- f. If using the tool in a damp location is unavoidable, use a Residual Current Device (RCD) protected supply to reduce the risk of electric shock.
- g. Route the cable away from the rotary accessory. If you lose control, the cord could be cut or snagged and your hand or arm could be pulled into the rotating accessory.
Damaged or entangled cords increase the risk of electric shock.
- h. The machine is double insulated according to EN60745: therefore, an earth cable is not necessary

3) Personal security

- a. Always stay alert, watch what you are doing and use common sense when using the tool.
- b. Do not use a power tool if you are tired or under the influence of medication or other substances. A moment of inattention while operating power tools may result in serious personal injury.
- c. Wear personal protective equipment. Always wear eye protection. Protective equipment such as a dust mask, non-slip safety shoes, hard hat, or hearing protection used in the proper conditions will reduce personal injury. Also don't wear loose clothing or jewelry.

- d. Prevent the tool from turning on unintentionally. Make sure the switch is in the off position before connecting to power source and moving.
- e. Remove any adjusting wrenches or wrenches before turning on the power tool. An adjustable wrench or wrench placed in a rotating part of the power tool can cause serious injury.
- f. If devices are used for dust extraction and collection, make sure they are properly connected. Properly use these devices and you will reduce dust-related hazards.
- g. Maintain posture and balance at all times. This allows for better control of the power tool in unexpected situations.

4) Use and care of power tools

- a. Do not force the tool. Use the correct power tool for each use.
- b. Do not use the power tool if its power switch does not work. Any power tool that cannot be controlled with the switch is dangerous and must be repaired.
- c. Disconnect the plug from the power source before making any adjustments, changing accessories, or storing the tool to avoid accidental starting.
- d. Use the power tool, accessories and bits etc. in accordance with these instructions, taking into account the working conditions and the work to be carried out. Using the power tool for operations other than those intended could result in a hazardous situation.
- e. Store power tools out of the reach of children and do not allow people unfamiliar with the tool to use it.
- f. Carry out regular maintenance on power tools. Check for misalignment or binding of moving parts, breakage of parts, and any other condition that may affect the operation of power tools. If it is damaged, have the power tool repaired before using it. Many accidents are caused by poorly maintained power tools.
- g. Periodically clean the air outlets of the power tool. The motor fan will draw dust into the housing and excessive dust buildup can cause electrical hazards.
- h. Keep accessories clean and sharp, as with proper maintenance they are less likely to bind and are easier to control.

5) Service

- a. Have your power tool serviced by a qualified person and use replacement parts recommended by the manufacturer. This will ensure that the safety of the power tool is maintained.

Safety rules for correct use



Double insulation for additional protection



Please read the instruction manual before use.



CE conformity.



Wear safety glasses, hearing protection and a dust mask.



Waste electrical products must not be disposed of with household waste. Please recycle at the appropriate facilities. Check with your local authority or retailer for recycling advice.



Security alert. Use only accessories supported by the manufacturer.

Additional security warnings

You must observe the following basic safety precautions against electrical shock, injury, and fire hazard when using power tools. Read and follow these instructions before you start to use any tool. These instructions must be kept in a safe place.

- The equipment must never be used in environments where there is an explosive atmosphere.
- Do not let the cable touch any part of the equipment. Use only the extension cord approved for use in the work area.
- Do not force the machine for unsuitable work, for example, grinding, planning, etc. Otherwise, it is very likely to cause danger and damage.
- Use only original spare parts when performing maintenance. Otherwise, safe operation cannot be guaranteed.
- The allowable speed of the attachments must be at least the same as the maximum speed of the machine. Otherwise, they may break or crack when your operating speed exceeds the allowable speed of the machine.
- Do not use damaged accessories. Before using the tool, always check the accessories for nicks or cracks.
For example, for the polishing pad, check that the backing plate is not cracked. Make sure everyone is out of the working area of the machine and run the machine at full speed for one minute and thoroughly check the attachments.
- Do not leave the machine until it is completely stopped. Otherwise, you will lose control of the machine.

- When sanding, do not use sandpaper that is too large. When choosing the abrasive disc, take into account the manufacturer's specifications. Sandpaper past the grinding block carries the risk of cuts and injuries and can also cause jamming.
- Use the correct supply voltage: The power supply voltage must match the information on the nameplate of the tools.
- Use an Appropriate Extension Cord: Use only an approved extension cord that is suitable for power to the tool. The cable conductors must have an area of at least 0.75 mm². When the extension cord is on a reel, unwind the cord completely.
- Shut down the machine immediately in case of:
 - Malfunction in the mains plug, power cable or cable damage.
 - Broken switch.
 - Smoke or stench from burning insulation.

Other risks

Even when the power tool is used as prescribed, it is not possible to eliminate all residual risk factors:

- a. Health defects resulting from vibration emission if the power tool is used for a longer period of time or if it is not managed and maintained properly.
- b. Injuries and property damage due to broken fixtures breaking suddenly.



Caution

This power tool produces an electromagnetic field during operation. This field can, in some circumstances, interfere with active or passive medical implants.

To reduce the risk of serious injury, we recommend that persons with medical implants consult their physician before using this power tool.



If the cable is damaged or cut during work, do not touch the cable, immediately unplug the tool. Never use the machine with a damaged cable.

The machine must not be damp and must not be used in a humid environment.



Attention

Safe operation of this machine is only possible when the operating or safety information is fully read and the instructions contained therein are strictly followed.



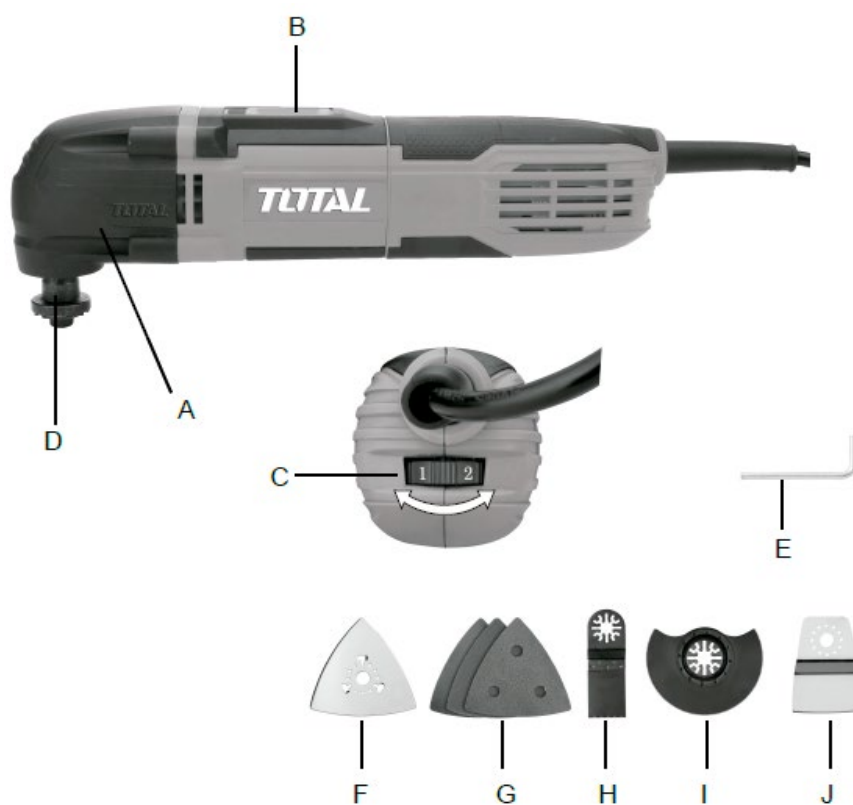
Technical data

Data sheet	
Voltage	220-240V~50/60Hz
Power	300W
No load speed	10000-20000/min
Swing angle	3rd
Protection class	□ / II

Product description

- A. gearbox
- B. Shift button
- C. Speed control knob
- D. Extraction bolt
- E. Hex key

- F. Delta sanding
- G. Sandpaper
- H. Cutting blade
- I. Circular saw blade
- J. Flexible Scraper



Note 2: Not all accessories illustrated or described need to be included in the standard delivery.

Set up



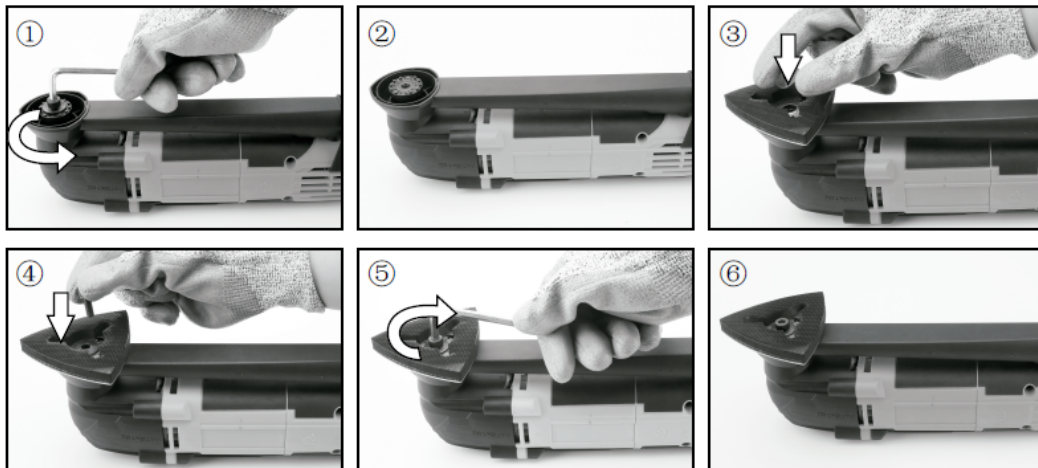
Attention

Before installing, repairing or maintaining the appliance, you must always turn off the operation switch and unplug the mains plug.

Before the initial operation, check if the rated frequency of the power grid corresponds to the data of the type of place.

Mounting

Accessory mounting



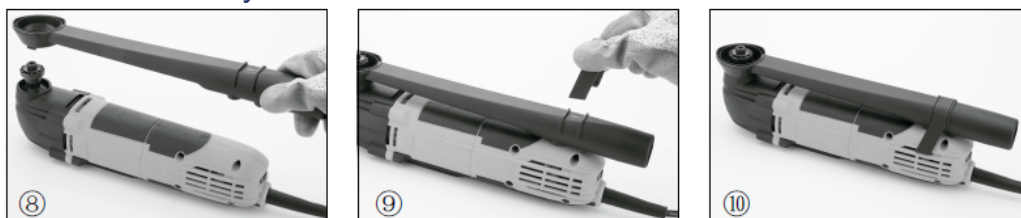
1. Turn the lever
2. Turn lever counterclockwise to lower draw bolt (D) in two circles.
3. Insert the sanding pad and make the pin fit into the holes on the sanding pad.
4. Insert the screw and fix the cover.
5. Turn the lever clockwise in 2 circles to tighten the blade. Make sure the blade is tight before working.
6. Finish the installation.

Power off/on the machine



7. Press the switch button forward / backward
 - Adjust the speed by turning the speed dial wheel
 - Start with wheel C in position 1 (lowest speed)
 - If necessary, select a higher speed while the tool is running.
 - The optimal working speed depends on the material to be worked.

Dust collection facility



Before sanding, lower the extraction bolt. Place the sandpaper on the sanding pad. The holes in the sanding disc should line up with the removal holes in the sanding pad.

8. Install the dust absorption tube
9. Fit the dust absorption tube on the tool
10. Finish the installation

Maintenance and troubleshooting

Maintenance

- Make sure the tool is unplugged from power before performing any maintenance.
- Your power tool requires no additional lubrication or maintenance. Always store your power tool in a dry place.
- If the power cord is damaged, it must be replaced by the manufacturer, its dealer, or qualified persons in order to avoid a hazard or damage.

Cleaning

- Keep safety devices, ventilation slots, and the motor housing as free of dirt and dust as possible. Wipe clean with a clean cloth or clean with low pressure compressed air.
- We recommend that you always clean the tool immediately after use.
- Clean the tool regularly by wiping it down with a damp cloth and a little mild soap. Do not use cleaners or solvents; these will attack the plastic parts of the tool. You also need to make sure that water does not get inside.

Carbon brushes

- If there are too many sparks, you should have the carbon brushes checked by an authorized servicer.



Attention

Only an authorized service can change the brushes.

Problem solving

1. The operation switch is on, but the motor does not work.
 - The cables of the mains plug or the socket outlet are loose.
 - Check or repair the plug and outlet.
 - The switch is faulty.
 - Replace switch.
2. The operation switch is on, but unusual noises can be heard, the motor does not run or runs very slowly.
 - The switch contact has failed.
 - Replace switch.
 - Stuck component.
 - Check or repair the power tool.
 - Too much thrust, as a result the motor is dragging.
 - Use less thrust during the task.
3. The engine gets hot.
 - Foreign substances have entered the motor.
 - Remove and clean foreign substances.
 - Missing grease or lubricating grease in poor condition.
 - Apply or change lubricating grease.
 - Pressure too high.
 - Use less thrust during the task.
4. Frequent or strong sparks in the commutator.
 - Short circuit in the armature.
 - Replace the armature.
 - Carbon brushes worn or stuck
 - Check carbon brushes.
 - Irregular switch operation.
 - Clean or grind commutator surface.



Attention

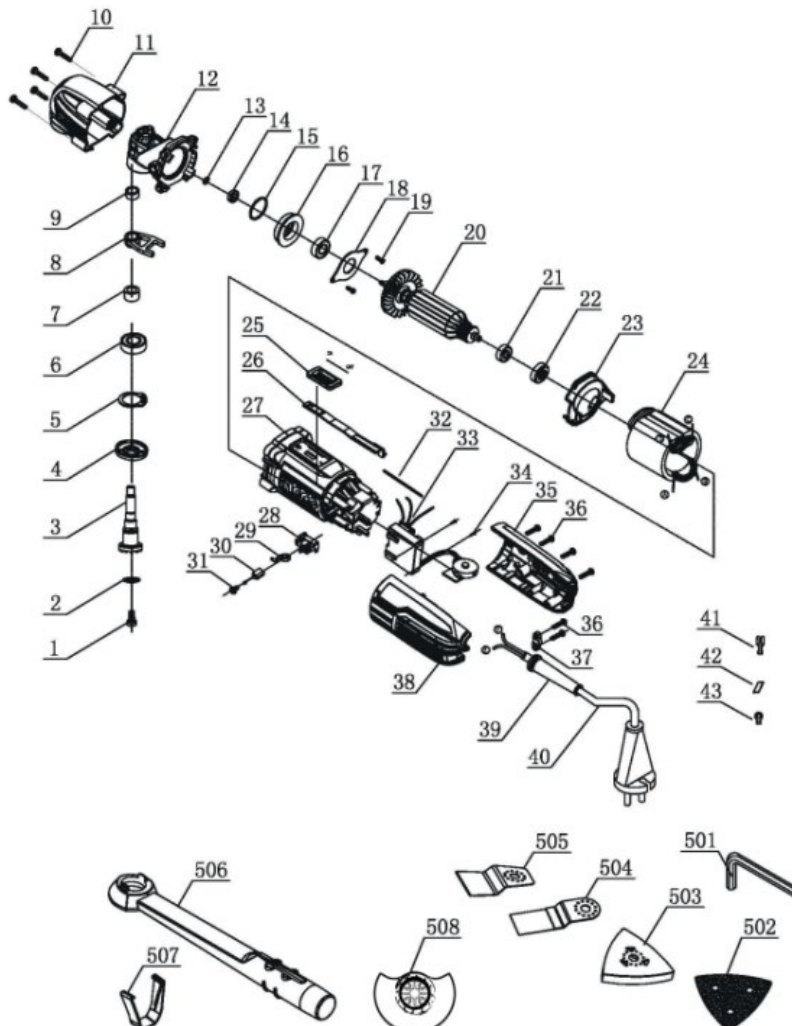
For your own safety, never remove parts or accessories from the power tool during operation. In case of breakdown or damage, have the power tool repaired only by a specialized workshop, the manufacturer or the official distributor.

Environment



- Do not dispose of electrical appliances as unsorted municipal waste, use separate collection facilities.
- Contact your local authority for information on available collection systems.
- If electrical appliances are disposed of in landfills, hazardous substances can seep into the groundwater and enter the food chain, harming your health and well-being.
- Recycle raw materials instead of disposing of them as waste.
- The machine, accessories and packaging must be sorted for environmentally friendly recycling.

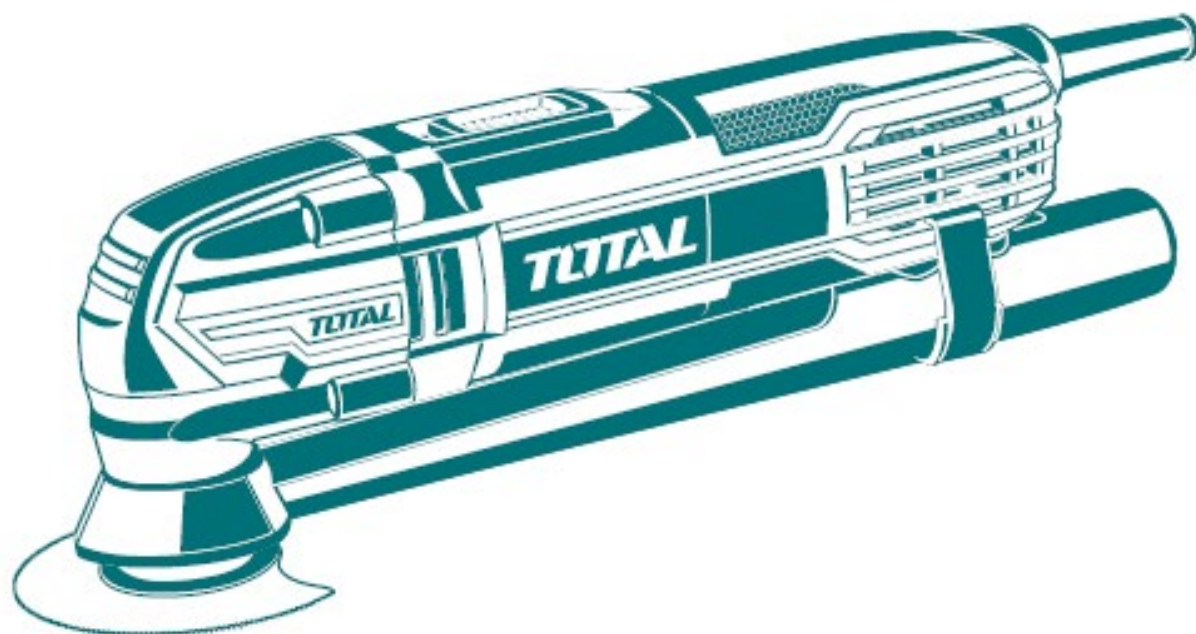
Exploded view



TOTAL

One-Stop Tools Station

TOTAL



MULTITOOL

300W