

TOTAL

One-Stop Tools Station

TOTAL

SABER SAW

TS100806



750W

Security instructions



Caution

Read all safety warnings and all instructions. Failure to follow all warnings and instructions can result in electric shock, fire, and / or serious injury. Observe the relevant safety precautions when using the tool.

The term “power tool” in the warnings refers to your mains-operated (corded) power tool or battery-operated (cordless) power tool.

Note: Save all warnings and instructions for future reference. We are not responsible for accidents or damages resulting from ignoring this manual and the safety instructions.

1) Work area safety

- a. Keep the work area clean and well lit to avoid accidents.
- b. Do not use power tools in explosive atmospheres, such as in the presence of flammable liquids, gases, or dust that can cause fires.
- c. Keep children and other unauthorized persons away while using a power tool. Distractions can cause you to lose control of the tool.

2) Electrical safety

- a. Power tool plugs must match the outlet. Never modify the plug in any way. Using a proper plug reduces the risk of electric shock.
- b. Avoid body contact with grounded surfaces such as pipes, radiators, ranges, and refrigerators. There is an increased risk of electric shock if your body is grounded.
- c. Do not expose power tools to rain or wet conditions. Water entering a power tool will increase the risk of electric shock.
- d. Never use the cord to carry, pull, or unplug the power tool. Keep cord away from heat or oil, sharp edges, or moving parts.
- e. When using a power tool outdoors, use an extension cord suitable for outdoor use.
- f. If it is unavoidable to use the tool in a humid location, use a residual current device (RCD) protected supply to reduce the risk of electric shock.
- g. Route the cord away from the swivel accessory. If you lose control, the cable can be cut or snagged and your hand or arm can be pulled toward the swivel attachment.
Damaged or tangled cords increase the risk of electric shock.
- h. The machine is double insulated according to EN60745: therefore a ground wire is not necessary

3) Personal security

- a. Always be alert, watch what you are doing, and use common sense when operating the tool.
- b. Do not use a power tool if you are tired or under the influence of drugs or other substances. A moment of distraction while using power tools can cause serious personal injury.
- c. Use personal protective equipment. Always wear eye protection. Protective equipment such as a dust mask, non-slip safety shoes, hard hat, or hearing protection used in the right conditions will reduce personal injury. Also, do not wear loose clothing or jewelry.

- d. Avoid accidentally turning the tool on. Make sure the switch is in the off position before connecting it to the power supply and moving it.
- e. Remove any adjusting key or wrench before turning on the power tool. A wrench or wrench attached to a rotating part of the power tool can cause serious injury.
- f. If dust extraction and collection devices are used, make sure they are properly connected. Use these devices properly and you will reduce dust hazards.
- g. Maintain posture and balance at all times. This allows better control of the power tool in unexpected situations.

4) Use and care of power tools

- a. Do not force the tool. Use the right power tool for each use.
- b. Do not use the power tool if its ignition switch does not work. Any power tool that cannot be controlled with the switch is dangerous and must be repaired.
- c. Disconnect the plug from the power source before making any adjustments, changing accessories, or storing the tool to avoid accidental starting.
- d. Use the power tool, accessories and drill bits, etc. in accordance with these instructions, taking into account the working conditions and the work to be carried out. Using the power tool for operations other than those intended could result in a dangerous situation.
- e. Store power tools out of the reach of children and do not allow anyone unfamiliar with the tool to use it.
- f. Carry out regular maintenance on power tools. Check for misalignment or binding of moving parts, broken parts, and any other conditions that may affect the operation of power tools. If damaged, have power tool repaired before use. Many accidents are caused by poorly maintained power tools.
- g. Periodically clean the air vents on the power tool. The motor fan will draw dust into the housing and excessive accumulation of dust can cause electrical hazards.
- h. Keep accessories clean and sharp, as with proper maintenance they are less likely to get stuck and are easier to control.

5) Service

- a. Have your power tool repaired by a qualified person and use replacement parts recommended by the manufacturer. This will ensure that the safety of the power tool is maintained.

Safety rules for correct use



Double insulation for additional protection



Read the instruction manual before use.



CE conformity.



Wear safety glasses, hearing protection and a dust mask.



Waste electrical products must not be disposed of with household waste. Please recycle at the appropriate facilities. Check with your local authority or retailer for recycling advice.



Security alert. Use only accessories approved by the manufacturer.

Additional safety warnings

You must adhere to the following basic safety measures against electric shock, injury, and fire hazard when using power tools. Read and follow these instructions before using any tool. These instructions should be kept in a safe place.

- The equipment must never be used in environments where an explosive atmosphere exists.
- Your tool is double insulated according to EN 60745; therefore, a ground wire is not required.
- Use the appropriate PPE for this type of activity, such as a dust mask.
- Do not allow the cord to touch any part of the equipment. Use only the extension cord approved for use in the work area.
- Do not force the machine for unsuitable jobs. Otherwise, it is very likely to cause danger and damage.
- Use only original spare parts when performing maintenance. Otherwise, safe operation cannot be guaranteed.
- Do not use damaged accessories. Before using the tool, always check the accessories for nicks or cracks.
- Do not leave the machine until it is completely stopped. Otherwise, you will lose control of the machine.
- Use Correct Supply Voltage: The power supply voltage must match the information listed on the nameplate of the tools.

- Use a suitable extension cord: Use only an approved extension cord that is suitable for powering the tool. When the extension cord is on a reel, unwind the cord fully.
- Turn off the machine immediately in case of:
 - Malfunction in the mains plug, power cord, or cable damage.
 - Broken switch.
 - Smoke or burnt insulation stench.

Other risks

Even when the power tool is used as prescribed, it is not possible to eliminate all residual risk factors:

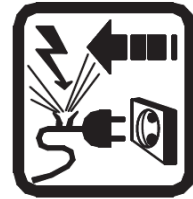
- a. Health defects resulting from the emission of vibrations if the power tool is used for a longer period of time or if it is not properly managed and maintained.
- b. Injury and property damage from broken accessories suddenly breaking.



Caution

This power tool produces an electromagnetic field during operation. This field can, in some circumstances, interfere with active or passive medical implants.

To reduce the risk of serious injury, we recommend that individuals with medical implants consult their physician before using this power tool.



If the cord is damaged or cut during work, do not touch the cord, immediately unplug the tool. Never use the machine with a damaged cord.

The machine must not be damp and must not be used in a humid environment.



Attention

Safe working with this machine is only possible when the operating or safety information is fully read and the instructions contained therein are strictly followed.



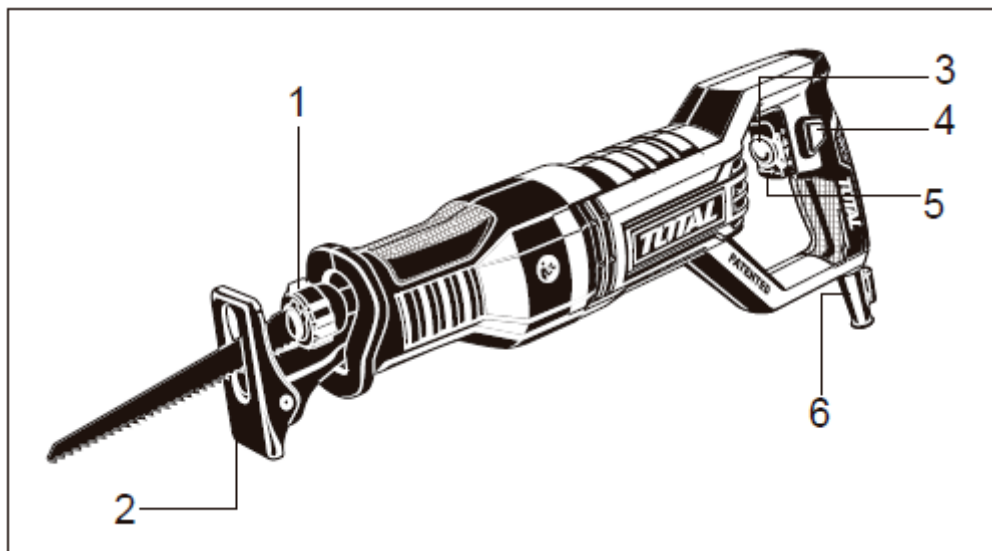
Technical data

Data sheet	
Voltage	220-240V ~ 50 / 60Hz
Power	750W
No-load speed	900-3300 / min
Cutting capacity:	
Wood	115mm
Aluminum	12mm
Steel	8mm
Package content	Saber saw tool (x1) Saw blade (x2) Ignition brushes (x1) Hex wrench (x1) Manual (x1)

Note: Check the tool, parts, or accessories for damage that may have occurred during shipping. Please take the time to read and understand this manual carefully before operation.

Product description

1. Locking sleeve for saw blade
2. Adjustable bracket
3. Speed control
4. Lock button for on / off switch
5. On / off switch
6. Cable



Note: Not all accessories illustrated or described have to be included in the standard delivery.

Set up



Attention

Before installing, repairing or maintaining the appliance, always turn off the operation switch and unplug the mains plug.

Before initial operation, check whether the nominal frequency of the mains corresponds to the data of the type of place.

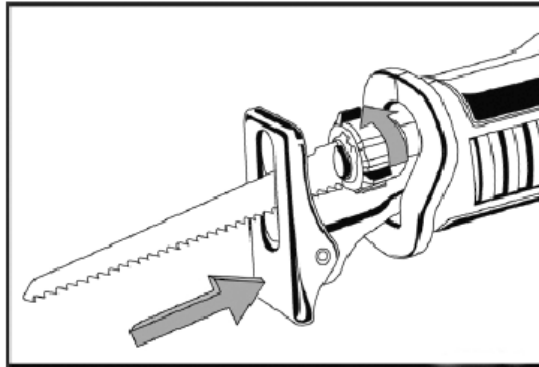
Mounting

Replacement and installation of the saw blade

When mounting the saw blade, wear protective gloves, as there is a risk of injury from touching the saw blade.

When changing the saw blade, take care that the saw blade holder does not have material residues.

Inserting the saw blade



Turn the locking sleeve 4 approx. 90 ° in the direction of the arrow and hold it down. Push the saw blade into the saw blade holder. Release locking sleeve 4 again.

Checking the seat of the saw blade holder

The loose saw blade can fall and cause injury. For certain jobs, the saw blade can also be rotated 180 ° (teeth up) and reinserted.

Remove saw blade

Turn the locking sleeve 4 approx. 90 ° in the direction of the arrow and hold it down. Remove the saw blade.

Dust and chip extraction

Material dusts can be harmful to health. Touching or inhaling the powders can cause allergic reactions and / or cause respiratory infections in the user or bystanders.

Certain powders are considered carcinogenic, especially in relation to wood treatment additives (chromate, wood preservative).

Materials containing asbestos can only be handled by specialists.

- Ensure good ventilation of the workplace.
- Observe the relevant regulations of your country for the materials to be worked on.
- Avoid accumulation of dust in the workplace. Powders can easily ignite.

Functioning

Warning



Always observe the safety instructions and applicable regulations.

Observe the correct mains voltage! The voltage of the power supply must match the voltage specified on the nameplate of the machine.

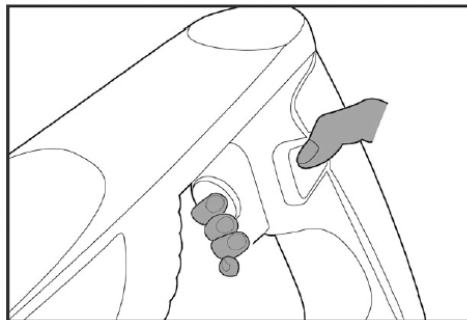
Pivoting and retractable plate

Due to its mobility, the adjustable footrest adapts to the required angular position of the surface.

Depending on the saw blade used and the application, the platform can be moved in a longitudinal direction in three steps. Press the footrest release button and slide the footrest to the required position.

Release the footrest release button and check that the footrest is securely locked. Slide footrest as needed until secure.

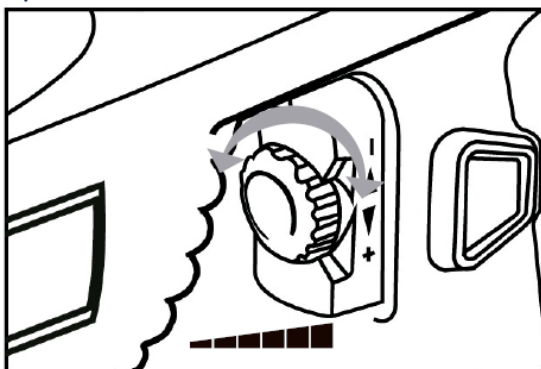
On and off




To turn on the machine, press and hold the on / off switch. To lock the on / off switch pressed, press the lock button.

To turn off the machine, release the on / off switch or when locked with the lock button, briefly press the on / off switch and then release it.

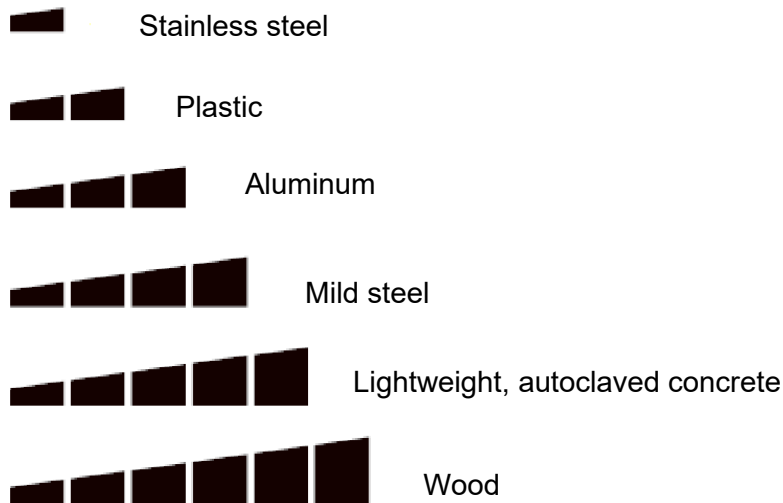
Speed control



Strokes per minute can be adjusted simply by turning the adjusting dial, even with the tool running. The dial is marked as speed  lower at full speed. Rotate the adjusting dial with no positive stops between the lowest speed and the maximum speed according to your work.

Refer to the table to select the proper speed for the workpiece to be cut. However, the appropriate speed may differ depending on the type or thickness of the workpieces. In

general, a higher speed will allow you to cut workpieces faster, but the life of the blade will be shortened.



Note: If the tool is operated continuously at low speeds for an extended period of time, the life of the motor will be shortened.

The speed adjustment dial can only be turned up to the maximum speed and the minimum speed. Do not force it beyond the maximum speed or the lowest speed, or the speed adjustment function may stop working.

Maintenance and troubleshooting

Maintenance

- Make sure the tool is unplugged before performing any maintenance.
- Your power tool does not require additional lubrication or maintenance. Always store your power tool in a dry place.
- If the power cord is damaged, it must be replaced by the manufacturer, its dealer, or qualified persons to avoid danger or damage.

Cleaning

- Keep safety devices, ventilation slots, and motor housing as free from dirt and dust as possible. Wipe it clean with a clean cloth or clean it with low pressure compressed air.
- We recommend that you always clean the tool immediately after use.
- Clean the tool regularly by rubbing it with a damp cloth and a little mild soap. Do not use cleaners or solvents; these will attack the plastic parts of the tool. You also need to make sure that the water does not get inside.

Ignition brushes

- If too many sparks are produced, you should have your authorized service check the ignition brushes.



Attention

Only an authorized service can change the brushes.

Problem solving

1. The operation switch is on, but the engine does not run.

- The cables from the mains plug or the socket are loose.
 - Check or repair the plug and socket.
- The switch is faulty.
 - Replace the switch.
- 2. The operation switch is on, but unusual noises can be heard, the engine does not run or very slowly.
 - The switch contact has failed.
 - Replace the switch.
 - Component stuck.
 - Check or repair the power tool.
 - Too much thrust, as a result the engine is dragging.
 - Use less thrust during the task.
- 3. The engine gets hot.
 - Foreign substances have entered the engine.
 - Remove and clean foreign substances.
 - Lack of grease or lubricating grease in bad condition.
 - Apply or change lubricating grease.
 - Pressure too high.
 - Use less oomph during the task.
- 4. Frequent or strong sparks at the commutator.
 - Short circuit in armature.
 - Replace the armature.
 - Worn or stuck ignition brushes
 - Check the ignition brushes.
 - Irregular switch operation.
 - Clean or rectify the surface of the commutator.



Attention

For your own safety, never remove parts or accessories from the power tool during operation. In the event of breakdown or damage, have the power tool repaired only by a specialized workshop, the manufacturer or the official dealer.

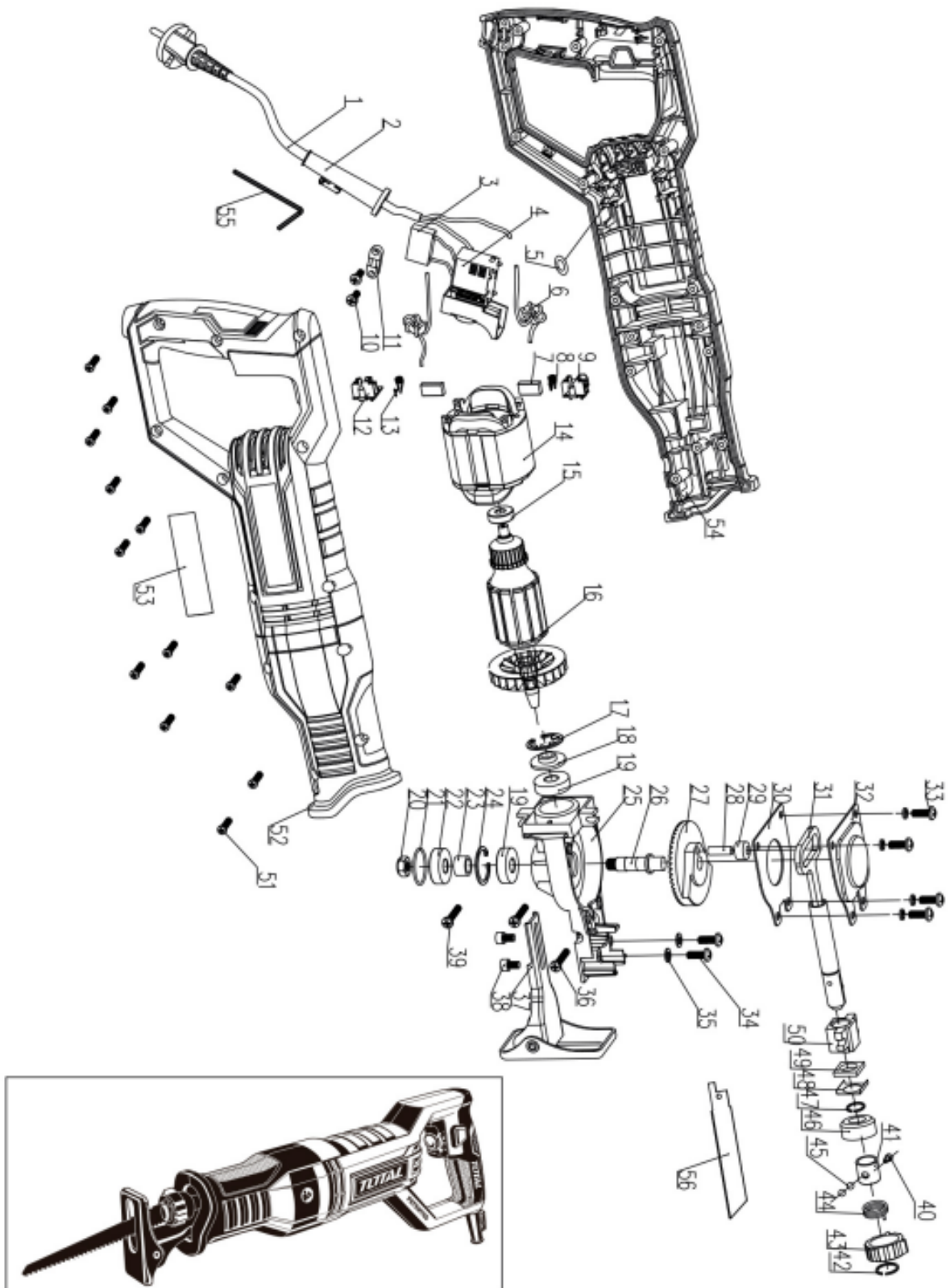
Environment



- Do not dispose of electrical appliances as unsorted municipal waste, use separate collection facilities.
- Contact your local authority for information on available collection systems.
- If electrical appliances are disposed of in landfills, hazardous substances can seep into groundwater and enter the food chain, damaging your health and well-being.
- Recycle raw materials instead of disposing of them as waste.
- The machine, accessories and packaging must be classified for environmentally friendly recycling.

Exploded view

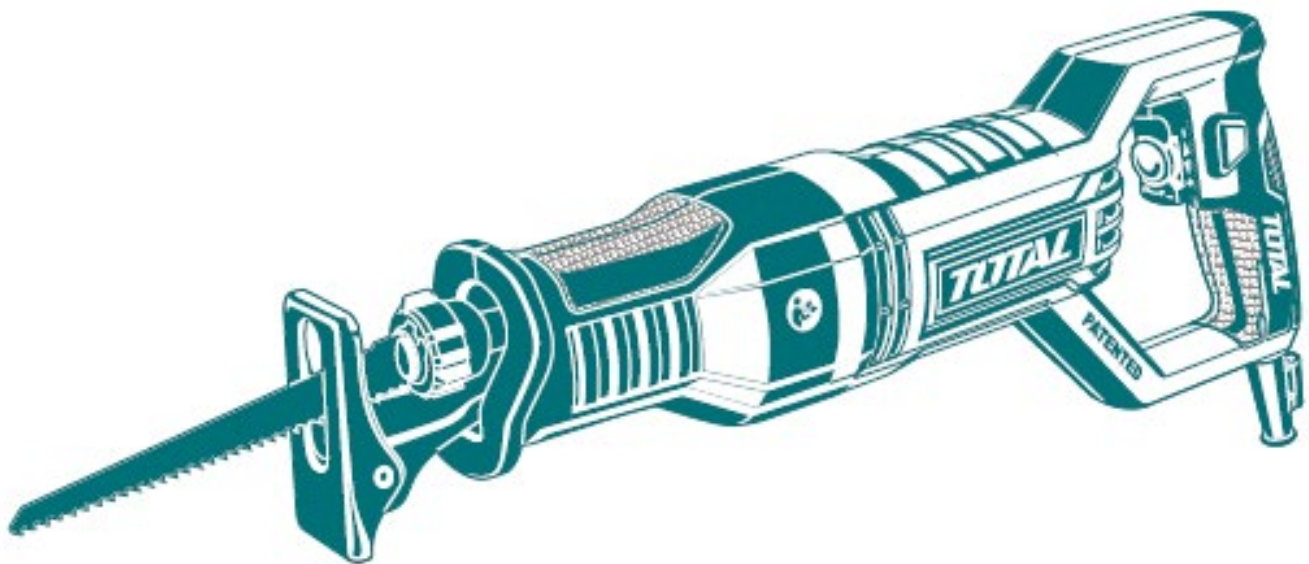
TS100806



TOTAL

One-Stop Tools Station

TOTAL



SABER SAW

750W