

TOTAL

One-Stop Tools Station

TOTAL

SABER SAW ON BATTERY

TRSLI1151



P20S



CE



Security instructions



Caution

Read all safety warnings and all instructions. Failure to follow all warnings and instructions may result in electrical shock, fire, and/or serious injury. Observe the relevant safety precautions when using the tool.

The term “power tool” in the warnings refers to your mains-operated (corded) power tool or battery-operated (cordless) power tool.

Note: Save all warnings and instructions for future reference. We are not responsible for accidents or damage caused by ignoring this manual and safety instructions.

1) Work area safety

- a. Keep the work area clean and well lit to prevent accidents.
- b. Do not use power tools in explosive atmospheres, such as in the presence of flammable liquids, gases, or dust that can cause fires.
- c. Keep children and other unauthorized persons away while using a power tool. Distractions can cause you to lose control of the tool.

2) electrical safety

- a. Power tool plugs must match the outlet. Never modify the plug in any way. Using a suitable plug reduces the risk of electric shock.
- b. Avoid bodily contact with grounded surfaces such as pipes, radiators, ranges, and refrigerators. There is an increased risk of electric shock if your body is grounded.
- c. Do not expose power tools to rain or wet conditions. Water entering a power tool will increase the risk of electrical shock.
- d. Never use the cord to carry, pull or unplug the power tool. Keep cord away from heat or oil, sharp edges, or moving parts.
- e. When using a power tool outdoors, use an extension cord suitable for outdoor use.
- f. Damaged or entangled cords increase the risk of electric shock.
- g. The machine is double insulated according to EN60745: therefore an earth cable is not necessary

3) Personal security

- a. Always stay alert, watch what you are doing and use common sense when using the tool.
- b. Do not use a power tool if you are tired or under the influence of medication or other substances. A moment of inattention while operating power tools may result in serious personal injury.
- c. Wear personal protective equipment. Always wear eye protection. Protective equipment such as a dust mask, non-slip safety shoes, hard hat, or hearing protection used in the proper conditions will reduce personal injury. Also don't wear loose clothing or jewelry.
- d. Prevent the tool from turning on unintentionally. Make sure the switch is in the off position before connecting to power source and moving.
- e. Remove any adjusting wrenches or wrenches before turning on the power tool. An adjustable wrench or wrench placed in a rotating part of the power tool can cause serious injury.

- f. If devices are used for dust extraction and collection, make sure they are properly connected. Properly use these devices and you will reduce dust-related hazards.
- g. Maintain posture and balance at all times. This allows for better control of the power tool in unexpected situations.

4) Use and care of power tools

- a. Do not force the tool. Use the correct power tool for each use.
- b. Do not use the power tool if its power switch does not work. Any power tool that cannot be controlled with the switch is dangerous and must be repaired.
- c. Disconnect the plug from the power source before making any adjustments, changing accessories, or storing the tool to avoid accidental starting of the tool.
- d. Use the power tool, accessories and bits etc. in accordance with these instructions, taking into account the working conditions and the work to be carried out. Using the power tool for operations other than those intended could result in a hazardous situation.
- e. Store power tools out of the reach of children and do not allow people unfamiliar with the tool to use it.
- f. Keep power tools in good condition. Check for misalignment or binding of moving parts, breakage of parts, and any other conditions that may affect the operation of power tools. If it is damaged, have the power tool repaired before using it. Many accidents are caused by poorly maintained power tools.
- g. Keep cutting tools sharp and clean. Properly maintained cutting tools with sharp cutting edges are less likely to bind and are easier to control.

5) Battery use and care

- a) Recharge the battery only with the charger specified by the manufacturer. An unsuitable charger can create a fire hazard.
- b) Use specifically designated batteries. Use of other batteries may create a risk of injury or fire.
- c) When the batteries are not in use, keep it away from other metal objects, such as paper clips, coins, keys, nails, screws, or other small metal objects, that can make a connection from one terminal to another. Shorting the battery terminals can cause burns or fire.
- d) Abusive conditions can cause expulsion of liquid from the battery; avoid contact. If accidentally contacted, rinse immediately with water. If the liquid comes into contact with the eyes, also seek medical help. Liquid expelled from the battery can cause irritation or burns.
- e) Do not use a battery or tool that is damaged or modified. They may exhibit unpredictable behavior resulting in fire, explosion, or risk of injury.
- f) Do not expose a battery or tool to fire or excessive heat. Exposure to fire or temperature above 130°C may cause an explosion.
- g) Follow all charging instructions. Do not charge the battery or tool outside the temperature range specified in the instructions. Improper charging or charging at temperatures outside the specified range may damage the battery or increase the risk of fire.

6) Service

- a. Have your power tool serviced by a qualified person and use replacement parts recommended by the manufacturer. This will ensure that the safety of the power tool is maintained.

Additional security warnings

You must observe the following basic safety precautions against electrical shock, injury, and fire hazard when using power or battery-powered tools. Read and follow these instructions before you start to use any tool. These instructions must be kept in a safe place.

- The equipment must never be used in environments where there is an explosive atmosphere.
- Use the appropriate PPE for this type of activity, such as a dust mask.
- Do not force the machine for improper work. Otherwise, it is very likely to cause danger and damage.
- Use only original spare parts when performing maintenance. Otherwise, safe operation cannot be guaranteed.
- Do not use damaged accessories. Before using the tool, always check the accessories for damage, nicks, or cracks.
- Do not leave the machine until it is completely stopped. Otherwise, you will lose control of the machine.
- Shut down the machine immediately in case of:
 - Battery malfunction.
 - Broken switch.
 - Smoke or stench from burning insulation.

Safety rules for correct use



Double insulation for additional protection



Please read the instruction manual before use.



CE conformity.



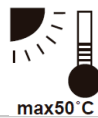
Wear safety glasses, hearing protection and a dust mask.



Waste electrical products must not be disposed of with household waste. Please recycle at the appropriate facilities. Check with your local authority or retailer for recycling advice.



Security alert. Use only accessories supported by the manufacturer.



Charge the battery only below 50°C

max50 °C



Always recycle batteries



Do not expose the battery to high temperatures or destroy it in fire.



Do not expose battery to water

Other risks

Even when the power tool is used as prescribed, it is not possible to eliminate all residual risk factors:

- a. Health defects resulting from vibration emission if the power tool is used for a longer period of time or if it is not managed and maintained properly.
- b. Injuries and property damage due to broken fixtures breaking suddenly.



Caution

This power tool produces an electromagnetic field during operation. This field can, in some circumstances, interfere with active or passive medical implants.



To reduce the risk of serious injury, we recommend that persons with medical implants consult their physician before using this power tool.

If the cable is damaged or cut during work, do not touch the cable, immediately unplug the tool. Never use the machine with a damaged cable. The machine must not be damp and must not be used in a humid environment.



Attention

Safe operation of this machine is only possible when the operating or safety information is fully read and the instructions contained therein are strictly followed.



Technical data

		Data sheet
Power		20V(DC)
No load speed		0-2800/min
Cutting capacity	Wood	115mm (4-1/2")
	Metal	8mm (5-16")
Stroke length		20mm (25/32")

Note: Check the tool, parts, or accessories for any damage that may have occurred during shipping. Please take the time to carefully read and understand this manual prior to operation.

Note2: Due to our continuing program of research and development, the specifications contained in this document are subject to change without notice.

Other warnings

Save these instructions



Attention

Do not let comfort or familiarity with the product (gained from repeated use) replace strict adherence to safety rules for the product in question. Incorrect use or non-compliance with the safety rules indicated in this instruction manual can cause serious personal injury.

Symbols

The symbols used for the tool are shown below.

Symbols	
V	volts
— ... —	DC
n₀	no load speed
... /min r /min	Revolutions per minute

Important safety instructions for the battery cartridge

1. Before using the battery, read all instructions and cautionary markings on:
 - a. The battery charger
 - b. Battery
 - c. Product
2. Do not disassemble the battery cartridge.
3. If the operating time has been shortened excessively, stop using it immediately. It can result in overheating, possible burns, and even an explosion.
4. If electrolyte gets into your eyes, flush with clean water and seek immediate medical attention. It can result in loss of sight.
5. Do not short circuit the battery cartridge:
 - a. Do not touch the terminals with any conductive material
 - b. Avoid storing the battery cartridge in a container with other metallic objects such as nails, coins, etc.
 - c. Do not expose the battery cartridge to water or rain.
Note: A short circuit in the battery can cause a large current flow, overheating, possible burns and even a breakdown.
6. Do not store the tool or battery cartridge where the temperature may reach or exceed 50°C (122°F).
7. Do not incinerate the battery cartridge even if it is badly damaged or completely spent. The battery cartridge may explode in case of fire.
8. Be careful not to drop or hit the battery.
9. Do not use a damaged battery.
10. Lithium-ion batteries are subject to the requirements of the dangerous goods legislation.
11. Follow local regulations regarding battery disposal.

Note: Use only manufacturer-approved batteries. The use of non-original batteries or altered batteries may cause battery explosion or serious personal injury.

Tips for maintaining maximum battery life

1. Charge the battery cartridge before it is fully discharged. Always stop tool operation and charge the battery cartridge when you notice less power from the tool.
2. Never recharge a fully charged battery. Overcharging shortens battery life.
3. Charge the battery cartridge at room temperature 10°C to 40°C (50°F to 104°F). Let a hot battery cartridge cool down before charging it.
4. Charge the battery cartridge if you do not use it for a long time (approx. more than six months).

Product description



Attention

Always make sure the tool is turned off and the battery cartridge is removed before adjusting or checking the function on the tool.

Installing or removing the battery cartridge



Attention

Always turn off the tool before installing or removing the battery cartridge.

Hold the tool and battery cartridge firmly when installing or removing the battery cartridge. Failure to hold the tool and battery cartridge may cause them to fly out of your hands and result in damage to the tool, battery cartridge, or personal injury.



1. Button battery 2. Battery cartridge

- To remove the battery cartridge, slide it out of the tool while sliding the button on the front of the cartridge.
- To install the battery cartridge, align the tab on the battery cartridge with the slot in the casing and slide it into place. Insert it all the way until it clicks into place with a small click. If you can see the red indicator at the top of the button, it's not completely locked.



Attention

Always install the battery cartridge completely until the red indicator cannot be seen. Otherwise, it may accidentally fall off the tool and injure you or someone around you.

Do not install the battery cartridge forcibly. If the cartridge does not slide in easily, it is not being inserted correctly.

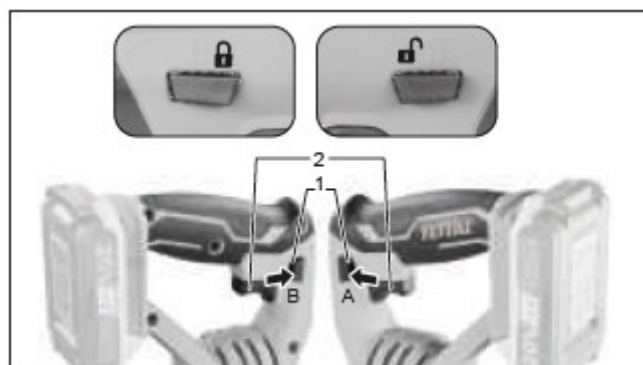
Exchange action



Caution

Before installing the battery in the tool, always check that the switch trigger actuates properly and returns to the "OFF" position when released.

When not operating the tool, press the lock button from the A side to lock the switch trigger in the OFF position.



1. Lock button 2. Trigger switch

To prevent the switch trigger from being accidentally pulled, the lock button is provided. To start the tool, press the side B lock button and pull the switch trigger.

Tool speed is increased by increasing pressure on the switch trigger. Release the switch trigger to stop. After use, always press the lock button from side A.

electric brake

This tool is equipped with an electric brake. If the tool consistently does not stop quickly after releasing the switch trigger, take the tool to your official Total dealer.

Set up



Attention

Always make sure the tool is turned off and the battery removed before doing any work on the tool.


Mounting

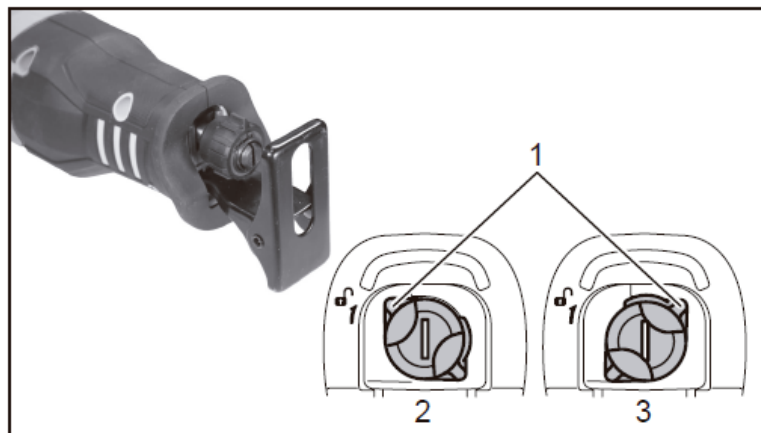
Installation or removal of the saw blade



Caution

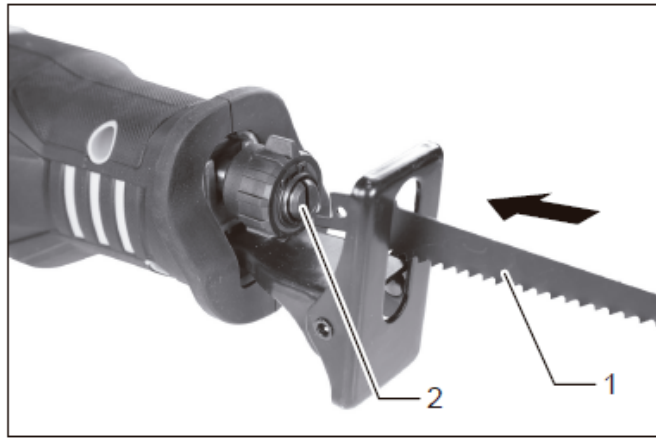
Always clean any chips or foreign matter adhering to the blade and around the blade clamp. Failure to do so may cause insufficient blade tightening, resulting in serious injury.

To install the reciprocating saw blade, always make sure that the blade clamp lever (part of the blade clamp sleeve) is in the released position on the insulation cover before inserting the reciprocating saw blade. If the blade clamp lever is in the fixed position, turn the lever in the direction of the arrow so that it can be locked in the released position. 



1. Blade holding lever 2. Released position 3. Fixed position

Insert the reciprocating saw blade into the blade clamp as far as it will go. The blade clamp sleeve rotates and the reciprocating saw blade is fixed. Make sure the reciprocating saw blade cannot be pulled out even if you try to pull it out.



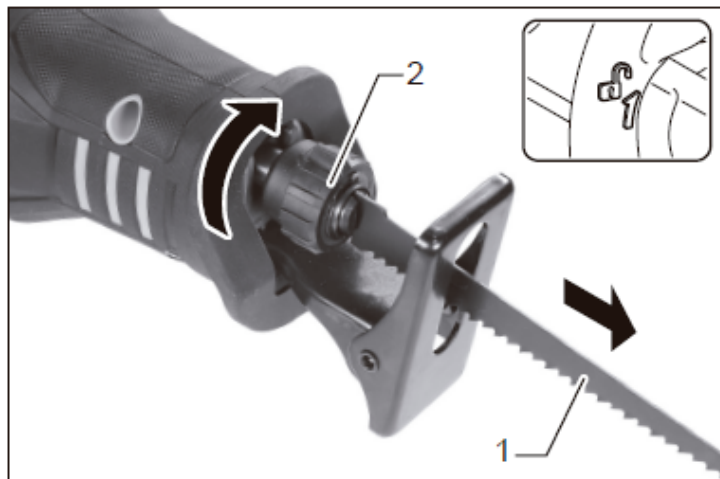
1. Saw blade 2. Blade holding sleeve



Caution

If you do not insert the reciprocating saw blade deep enough, the reciprocating saw blade may come out unexpectedly during operation. This can be extremely dangerous.

To remove the reciprocating saw blade, fully rotate the blade clamp lever in the direction of the arrow. The saw blade is removed and the blade clamping lever is set in the released position.



1. Reciprocating saw blade 2. Blade clamping lever



Caution

Keep hands and fingers away from lever during shifting operation. Failure to do so may cause personal injury.

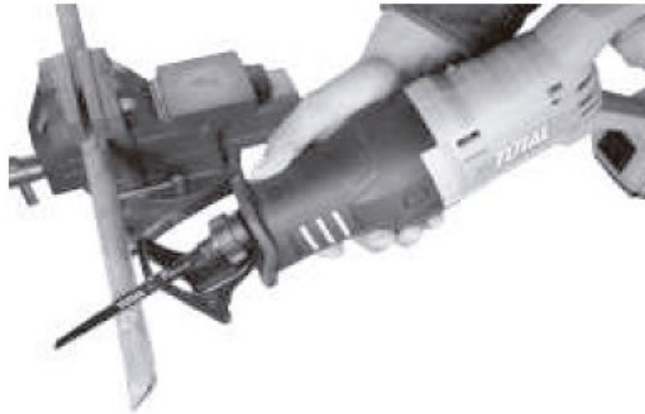
NOTE: If you remove the saw blade without fully rotating the blade clamp lever, the lever may not be released. In this case, fully rotate the blade clamp lever again, then make sure the blade clamp lever is locked in the open position.

NOTE2: If the blade clamping lever is placed inside the tool, turn on the tool for only one second to let out the blade as shown in the figure. Remove the battery from the tool before installing or removing the reciprocating saw blade.

Functioning

Press the shoe firmly against the work piece. Do not let the tool bounce. Bring the reciprocating saw blade into light contact with the workpiece.

First, make a pilot groove using a slower speed. Then use a faster speed to continue cutting.



Caveat

- Always press the shoe firmly against the workpiece during operation. If the shoe is removed or held away from the workpiece during operation, strong vibrations and/or twisting will occur, causing the blade to snap dangerously.
- Always wear gloves to protect your hands from hot chips when cutting metal.
- Make sure to always wear proper eye protection that meets current national standards.
- Always use a suitable coolant (cutting oil) when cutting metal. If you don't, the blade will wear prematurely.

Maintenance and troubleshooting

Maintenance

- Always make sure the tool is turned off and the battery is removed before attempting any inspection or maintenance.
- If the power cable of the battery charger is damaged, it must be replaced by the manufacturer or its official distributor to avoid danger or damage.

Cleaning

- Keep safety devices, ventilation slots, and the motor housing as free of dirt and dust as possible. Wipe clean with a clean cloth or clean with low pressure compressed air.
- We recommend that you always clean the tool immediately after use.
- Clean the tool regularly by wiping it down with a damp cloth and a little mild soap. Do not use cleaners or solvents; these will attack the plastic parts of the tool. You also need to make sure that water does not get inside.

Never use gasoline, benzene, thinner, alcohol or the like. May result in discoloration, warping, or cracking.



Attention

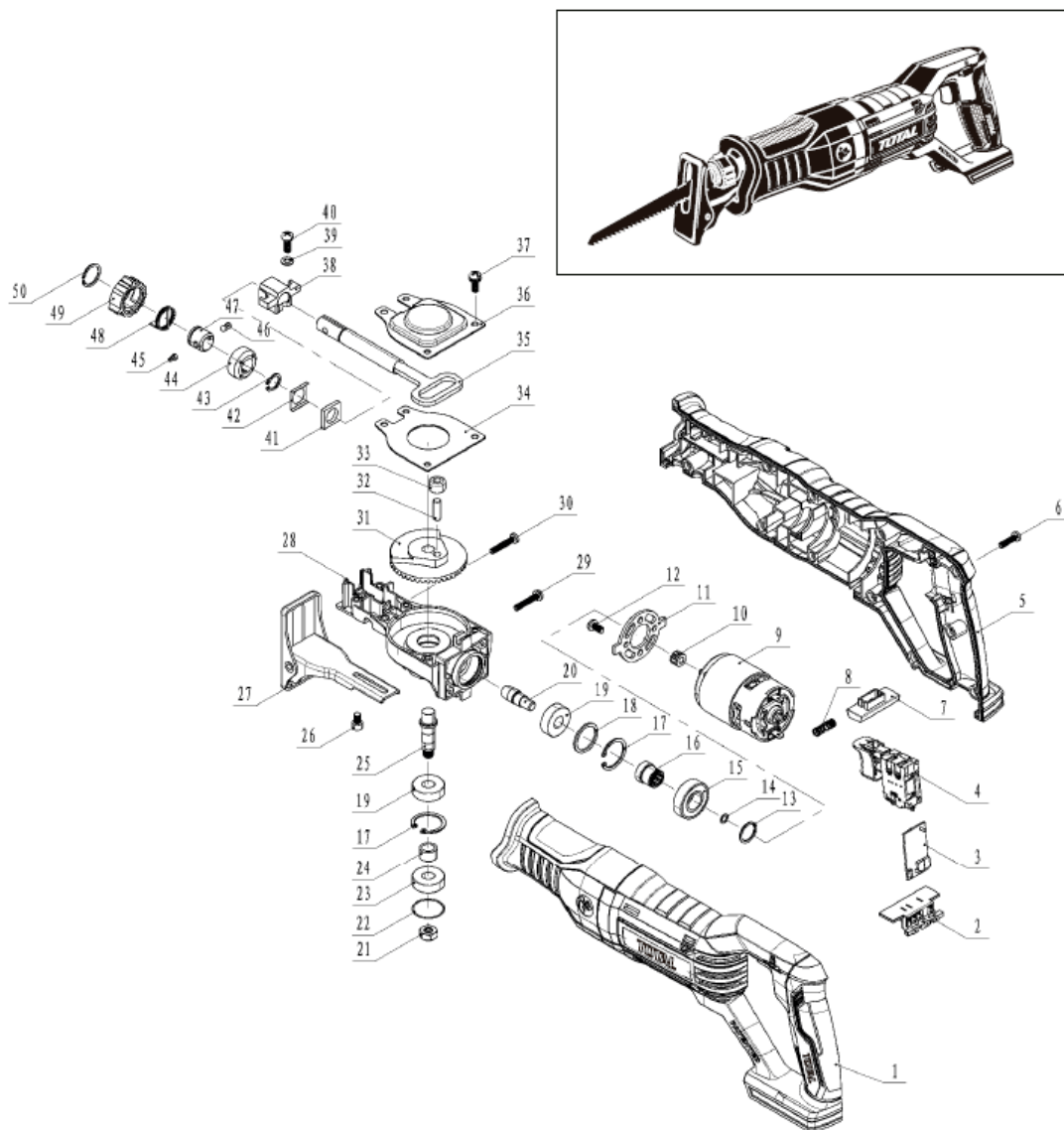
For your own safety, never remove parts or accessories from the power tool during operation. In case of breakdown or damage, have the power tool repaired only by a specialized workshop, the manufacturer or the official distributor.

Environment



- Do not dispose of electrical appliances as unsorted municipal waste, use separate collection facilities.
- Contact your local authority for information on available collection systems.
- If electrical appliances are disposed of in landfills, hazardous substances can seep into the groundwater and enter the food chain, harming your health and well-being.
- Recycle raw materials instead of disposing of them as waste.
- The machine, accessories and packaging must be sorted for environmentally friendly recycling.

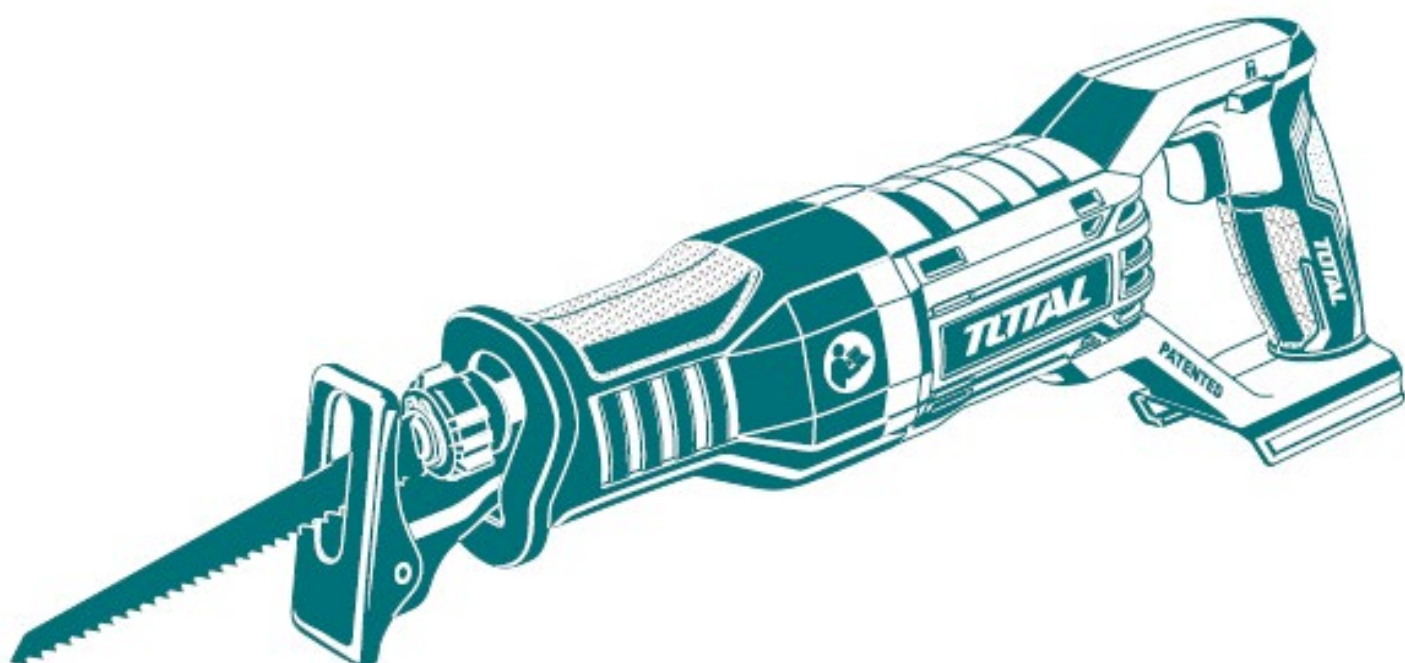
Exploded view



TOTAL

One-Stop Tools Station

TOTAL



SABER BATTERY SAW

www.millasur.com

P20S