

TOTAL

One-Stop Tools Station

TOTAL

POLISHER

TP1141806

INDUSTRIAL



1400W

Security instructions



Caution

Read all safety warnings and all instructions. Failure to follow all warnings and instructions may result in electrical shock, fire, and/or serious injury.

The term “power tool” in the warnings refers to your mains-operated (corded) power tool or battery-operated (cordless) power tool.

Note: Save all warnings and instructions for future reference. Due to our ongoing R&D&I program, the specifications in this document are subject to change without notice.

1) Work area safety

- a. Keep the work area clean and well lit to prevent accidents.
- b. Do not use power tools in explosive atmospheres, such as in the presence of flammable liquids, gases, or dust that can cause fires.
- c. Keep children and other unauthorized persons away while using a power tool. Distractions can cause you to lose control of the tool.

2) Electrical safety

- a. Power tool plugs must match the outlet. Never modify the plug in any way. Using a suitable plug reduces the risk of electric shock.
- b. Avoid bodily contact with grounded surfaces such as pipes, radiators, ranges, and refrigerators. There is an increased risk of electric shock if your body is grounded.
- c. Do not expose power tools to rain or wet conditions. Water entering a power tool will increase the risk of electrical shock.
- d. Never use the cord to carry, pull or unplug the power tool. Keep the cable away from heat or oil.
- e. When using a power tool outdoors, use an extension cord suitable for outdoor use.
- f. If using the tool in a wet location is unavoidable, use a Residual Current Device (RCD) protected supply to reduce the risk of electric shock.

3) Personal security

- a. Always stay alert, watch what you are doing and use common sense when using the tool.
- b. Do not use a power tool if you are tired or under the influence of medication or other substances.
- c. Wear personal protective equipment. Always wear eye protection. Protective equipment such as a dust mask, non-slip safety shoes, hard hat, or hearing protection used in the proper conditions will reduce personal injury. Also don't wear loose clothing or jewelry.
- d. Prevent the tool from turning on unintentionally. Make sure the switch is in the off position before connecting to power source and moving.
- e. Remove any adjusting wrenches or wrenches before turning on the power tool. An adjustable wrench or wrench placed in a rotating part of the power tool can cause serious injury.
- f. If devices are used for dust extraction and collection, make sure they are properly connected. Properly use these devices and you will reduce dust-related hazards.

4) Use and care of power tools

- a. Do not force the tool. Use the correct power tool for each use.
- b. Do not use the power tool if its power switch does not work. Any power tool that cannot be controlled with the switch is dangerous and must be repaired.
- c. Disconnect the plug from the power source before making any adjustments, changing accessories, or storing the tool to avoid accidental starting.
- d. Use the power tool, accessories and bits etc. in accordance with these instructions, taking into account the working conditions and the work to be carried out. Using the power tool for operations other than those intended could result in a hazardous situation.
- e. Store power tools out of the reach of children and do not allow people unfamiliar with the tool to use it.
- f. Carry out regular maintenance on power tools. Check for misalignment or binding of moving parts, breakage of parts, and any other condition that may affect the operation of power tools. If it is damaged, have the power tool repaired before using it. Many accidents are caused by poorly maintained power tools.
- g. Keep accessories clean and sharp, as with proper maintenance they are less likely to bind and are easier to control.

5) Service

- a. Have your power tool serviced by a qualified person and use replacement parts recommended by the manufacturer. This will ensure that the safety of the power tool is maintained.

Safety rules for correct use



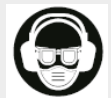
Double insulation for additional protection



Please read the instruction manual before use.



CE conformity.



Wear safety glasses, hearing protection and a dust mask.



Waste electrical products must not be disposed of with household waste. Please recycle at the appropriate facilities. Check with your local authority or retailer for recycling advice.



Security alert. Use only accessories supported by the manufacturer.

Additional security warnings

Grinding, sanding, wire brushing, polishing or abrasive cutting operations

Read all safety warnings, instructions, illustrations, and specifications provided with this power tool. Failure to follow all instructions may result in electrical shock, fire, and/or serious injury.

- Do not use this tool in operations for which it was not designed. Otherwise, it may create a hazard and cause personal injury.
- Do not use accessories and fixtures or tools that are not specifically designed and recommended by the tool manufacturer. The fact that the accessory can be attached to the power tool does not guarantee safe operation.
- The rated speed of the blade must be at least equal to the maximum speed marked on the power tool. A tool that has a higher speed than the tool can eject it from its clamping.
- The outside diameter and thickness of the disc must be within the rated capacity of your guards. Improperly sized accessories cannot be properly stored or controlled.
- For flange mounted fittings, the fitting hole must fit the mounting diameter of the flange.
- Do not use the damaged tool. Before each use, check the components and accessories, make sure they do not have cracks, tears or excessive wear; check wire brush for loose or cracked wires. Dull bits cause the tool to strain too much. If the power tool is dropped, inspect for damage and replace if necessary. After inspecting and installing a tool, stand in a safe area and check that no one is in the work area when you run the power tool at full speed with no load for one minute. Damaged accessories will normally break during this testing time.
- Wear personal protective equipment. Wear face shield, safety glasses. If necessary, dust masks, ear protectors, gloves and workshop apron capable of stopping small abrasive or chip fragments. Eye protection must be capable of stopping debris and flying particles generated by various operations. The dust mask or respirator must be capable of filtering the particles generated by your operation. Prolonged exposure to high intensity noise can cause hearing loss.
- Keep people out of the work area. Anyone entering the work area must wear personal protective equipment. Fragments of the workpiece or a broken accessory can break loose and cause injury beyond the immediate area of operation.
- Hold the power tool by insulated gripping surfaces only, when performing an operation where the tool or tool may come into contact with cables and/or pipes (including its own cable). It may cause an accident or electric shock to the operator.
- Position the tool cable away from the rotating tool. If you lose control, the cable may be cut or snagged causing serious accidents.
- Never let go of the power tool until the accessory has come to a complete stop.
- Do not operate the power tool while carrying it by your side. Accidental contact with the disk could snag her clothing, pulling it closer to her body.
- Periodically clean the vents on the tool. The motor fan will draw dust into the casing and excessive accumulation of powdered metal can cause electrical hazards.
- Do not use the power tool near flammable materials. Sparks could ignite these materials.

- Do not use tools or cutting tools that require coolant. The use of water or other liquid coolants may result in electrocution or electrical shock.

Rollbacks and Related Warnings

Kickback is a sudden reaction when a wheel, back cushion, brush, or other accessory binds or snags. Binding or snagging causes a rapid lockup of the disc which, in turn, causes the uncontrolled power tool to be forced in the opposite direction of tool rotation.

Kickback is the result of power tool misuse and/or incorrect procedures or conditions. This can be avoided by taking the proper precautions.

- Keep a firm grip on the power tool to allow it to resist kickback forces. Always use the auxiliary handle, if provided, for maximum control over kickback or torque reaction during start-up. Torque reactions or kickback forces can be controlled by the operator if proper precautions are taken.
- Never place your hand near the running tool, it could snap on your hand.
- Do not position your body in the area where the power tool will move if kickback occurs. Kickback will propel the tool in the opposite direction of wheel motion at the point of contact.
- Take special care when working around corners, sharp edges, etc. Prevent the accessory from bouncing and snagging. Corners, sharp edges, or kickback have a tendency to snag the rotating accessory and cause loss of control or kickback.

Abrasive grinding and cutting operations

- Use only the types of discs that are recommended for your power tool and the specific guard designed for the selected wheel. Wheels for which the power tool was not designed cannot be adequately covered and are unsafe.
- The cutting surface of depressed center abrasive wheels should be mounted below the plane of the guard cutting edge. An incorrectly mounted wheel that protrudes beyond the plane of the guard edge cannot be adequately protected.
- The guard must be firmly attached to the power tool.
- Discs should only be used for recommended applications.
- Always use the correct accessories for the correct size and design of the discs. Disc flanges must be different from grinding wheel flanges.
- Do not use worn wheels from larger power tools. The blade intended for a larger power tool is not suitable for the higher speed of a smaller tool.

Abrasive cutting operations

- Do not "jam" the disc or apply excessive pressure. Overloading the disc increases susceptibility to binding and the possibility of kickback or breakage.
- Do not place the body near the cutting area of the disc. When the wheel locks up at the point of contact and in the event you stomp, that kickback will direct the tool toward your body.
- When the blade jams for any reason, turn off the tool and hold it still until it comes to a complete stop. Never try to remove the cutting disc by turning the tool on again, otherwise kickback may occur. Investigate and take corrective action to eliminate cause of stall.
- Do not restart the cutting operation on the workpiece. Let the blade come up to full speed and carefully recut. The wheel can bind, ride up, or kick back if the power tool is restarted on the workpiece.
- Use support panels or any large work piece to minimize the risk of tool pinching and kickback. Large workpieces tend to give way under their own weight.

Supports should be placed under the workpiece near the line of cut and near the edge of the workpiece on both sides.

- Use extreme caution when making a "pocket cut" in existing walls or other blind areas. It may cut gas or water pipes, electrical wiring, or objects that can cause kickback.

Sanding operations

- Do not use oversized discs. Follow the manufacturer's recommendations when selecting sandpaper. Sandpaper that extends past the sanding pad presents a hazard and can cause binding and kickback.

Polishing operations

- Do not allow the residue of any polishing flecks to spin freely. Please remove or clip them because otherwise they may harm the work or your own body.

Wire brushing operations

- Please note that the brush sheds wire bristles even during normal operation. Do not overload the cables by applying excessive load to the brush. Wire bristles can easily penetrate light clothing and/or skin.
- The use of a wire brush guard is recommended. The wire wheel or brush may expand in diameter due to work load and centrifugal forces.

Other risks

Even when the power tool is used as prescribed, it is not possible to eliminate all residual risk factors:

- a. Health defects resulting from vibration emission if the power tool is used for a longer period of time or if it is not managed and maintained properly.
- b. Injuries and property damage due to broken fixtures breaking suddenly.



Caution

This power tool produces an electromagnetic field during operation. This field can, in some circumstances, interfere with active or passive medical implants.



To reduce the risk of serious injury, we recommend that persons with medical implants consult their physician before using this power tool.

If the cable is damaged or cut during work, do not touch the cable, immediately unplug the tool. Never use the machine with a damaged cable.

The machine must not be damp and must not be used in a humid environment.



Attention

Safe operation of this machine is only possible when the operating or safety information is fully read and the instructions contained therein are strictly followed.



Technical data

| Data sheet | |
|-------------------------|--|
| Voltage | 220-240V |
| Frequency | 50/60Hz |
| Power | 1400W |
| No load speed | 1500-4500/min |
| Disc diameter | 180mm |
| Insulation class | double insulation <input type="checkbox"/> |
| Weight | 3.5kg |

Product description

1. Switch on/off
2. Auxiliary handle
3. Shaft lock
4. Wool polishing stand and polishing pad
5. Variable speed control for different uses



Note: Not all accessories illustrated or described need to be included in the standard delivery.

Set up



Attention

When using power tools, always observe the following basic safety rules.

Safe operation of the machine requires that you read the user manual, safety instructions and comply with them before using the machine for the first time. You must also observe the general safety rules. You may want to have a professional show you how to use the machine before you use it.

- Always wear safety glasses, work clothes and gloves.
- Wear a dust mask.
- Secure the item to be worked on to prevent it from turning.
- Always turn off the machine when attaching the grinding wheel/steel brush.
- Always use the auxiliary handle.

- Always remember to stand on a stable surface.
- Never use the machine under the influence of alcohol, medication or similar substances.
- Protect the machine from moisture.
- Always store the tool out of the reach of children. Never use it when people outside the work area are nearby.
- Never overload the machine.
- Periodically check that all screws are tight.
- Never use your hands to secure the item while you are drilling.
- Keep fingers and the like away from rotating parts.
- Check that the power supply is 220-240V 50/60Hz or 110-120V~50/60Hz [Incorrect voltage will damage the machine and the warranty will be void].

Mounting

Carefully remove the machine from its packaging. Check that you have removed all the parts from the packaging.

Replacing the polishing wheel/steel brush

- Cut off power to the machine by removing the plug from the outlet.
- Press and hold the spindle lock (3).
- The buffing wheel must be centered on the disc after replacement.
- After replacement, run the machine for 1 minute to check that the pad/brush is firmly attached.

To use the sander

- Plug the machine into a 220-240V~50/60Hz or 110-120V~50/60Hz outlet.
- Hold the machine with both hands.
- Press the power switch (1).
- Always let the machine run for a moment to check that the wheel is secure.
- Carefully lower the machine onto the item and hold it at a 150° angle.

Maintenance and troubleshooting

- Unplug the power outlet when the machine is not in use.
- The machine is designed for trouble-free use over a long period of time with minimal maintenance.
- Regular cleaning of the machine together with its correct use will prolong its useful life.
- Clean the machine regularly.

Maintenance

Make sure the tool is unplugged from power before performing any maintenance.

- Keep the ventilation slots clean and free of obstructions. If possible, blow compressed air into the vents to remove internal dust (safety glasses should be worn when doing this).
- Keep the outer casing of the tool clean and free of grease. Do not wash with water or use solvents or abrasives. Use only mild soap and a damp cloth to clean the tool. Never let liquid get inside the tool. Never immerse any part of the tool in liquid.

- Always store your power tool in a safe, dry place.

Problem solving

Although your new tool is actually very simple to use, if you run into problems, check the following:

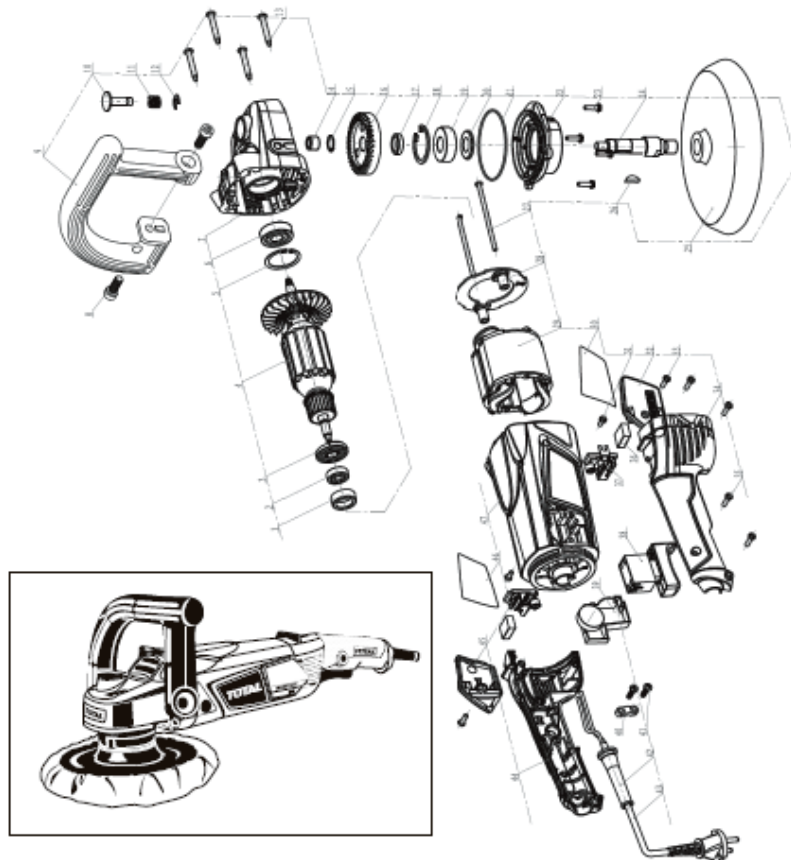
- If it is not working, check the power supply at the mains connection plug.
- If the disc wobbles or vibrates, check that it is seated correctly.
- If there are signs that the disc is damaged, do not use it as it may disintegrate, remove it and replace it with a new one. Dispose of old discs correctly and responsibly.

Environment



- Do not dispose of electrical appliances as unsorted municipal waste, use separate collection facilities.
- Contact your local authority for information on available collection systems.
- If electrical appliances are disposed of in landfills, hazardous substances can seep into the groundwater and enter the food chain, harming your health and well-being.
- Recycle raw materials instead of disposing of them as waste.
- The machine, accessories and packaging must be sorted for environmentally friendly recycling.

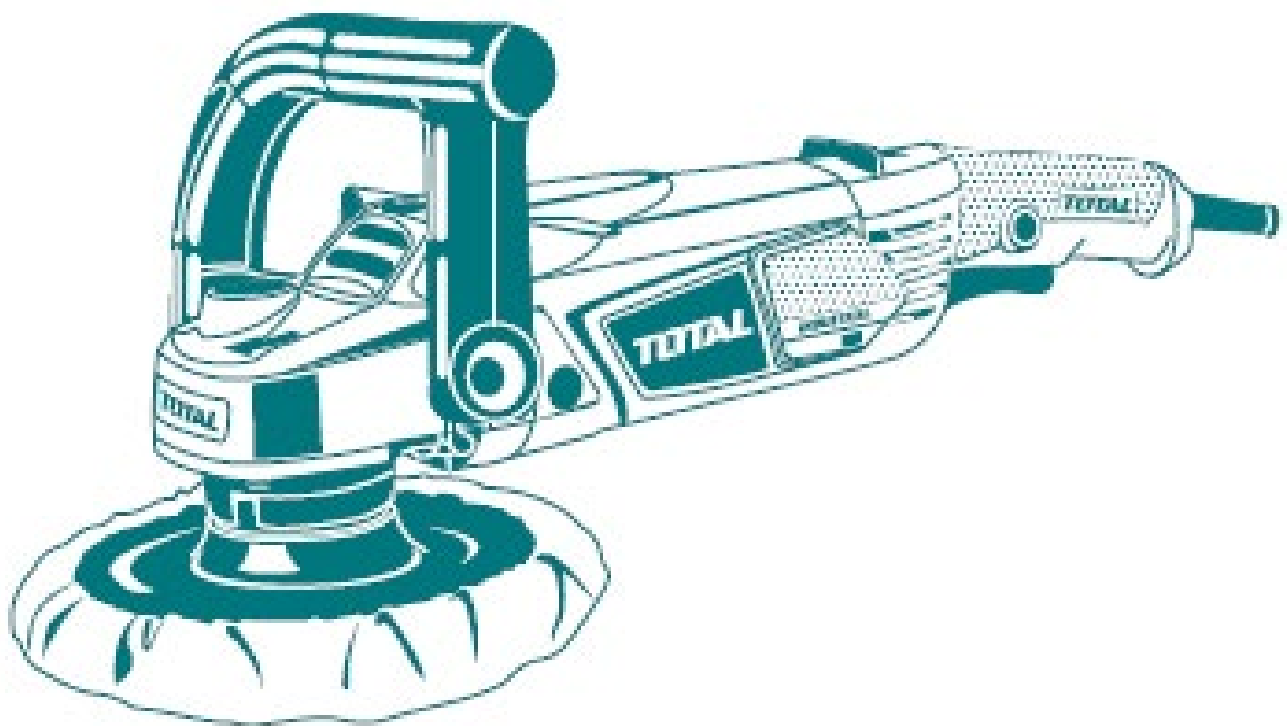
Exploded view



TOTAL

One-Stop Tools Station

TOTAL



POLISHER

1400W