

TOTAL

One-Stop Tools Station

TOTAL

MULTITOOL

TMLI2001



P20S



20V

Security instructions



Caution

Read all safety warnings and all instructions. Failure to follow all warnings and instructions may result in electrical shock, fire, and/or serious injury.

The term “power tool” in the warnings refers to your mains-operated (corded) power tool or battery-operated (cordless) power tool.

Note: Save all warnings and instructions for future reference. Due to technical product updates, this document is subject to change without notice.

1) Work area safety

- a. Keep the work area clean and well-lit to prevent accidents.
- b. Do not use power tools in explosive atmospheres, such as in the presence of flammable liquids, gases, or dust that can cause fires.
- c. Keep children and other unauthorized persons away while using a power tool. Distractions can cause you to lose control of the tool.

2) Electrical safety

- a. Power tool plugs must match the outlet. Never modify the plug in any way. Using a suitable plug reduces the risk of electric shock.
- b. Avoid bodily contact with grounded surfaces such as pipes, radiators, ranges, and refrigerators. There is an increased risk of electric shock if your body is grounded.
- c. Do not expose power tools to rain or wet conditions. Water entering a power tool will increase the risk of electrical shock.
- d. Never use the cord to carry, pull or unplug the power tool. Keep the cable away from heat or oil.
- e. When using a power tool outdoors, use an extension cord suitable for outdoor use.
- f. If using the tool in a damp location is unavoidable, use a Residual Current Device (RCD) protected supply to reduce the risk of electric shock.

3) Personal security

- a. Always stay alert, watch what you are doing and use common sense when using the tool.
- b. Do not use a power tool if you are tired or under the influence of medication or other substances.
- c. Wear personal protective equipment. Always wear eye protection. Protective equipment such as a dust mask, non-slip safety shoes, hard hat, or hearing protection used in the proper conditions will reduce personal injury. Also don't wear loose clothing or jewelry.
- d. Prevent the tool from turning on unintentionally. Make sure the switch is in the off position before connecting to power source and moving.
- e. Remove any adjusting wrenches or wrenches before turning on the power tool. An adjustable wrench or wrench placed in a rotating part of the power tool can cause serious injury.
- f. If dust extraction and collection devices (such as a dust mask) are used, make sure they are connected properly. Properly use these devices and you will reduce dust-related hazards.

4) Use and care of battery tools

- a. Recharge the battery only with the charger specified by the manufacturer. An unsuitable charger can create a fire hazard.
- b. Use power tools only with specifically designated batteries. Use of other batteries may create a risk of injury or fire.
- c. When the batteries are not in use, keep it away from other metal objects, such as paper clips, coins, keys, nails, screws, or other small metal objects, that can make a connection from one terminal to another. Shorting the battery terminals can cause burns or fire.
- d. Abusive conditions can cause expulsion of liquid from the battery; avoid contact. If accidentally contacted, rinse immediately with water. If the liquid comes into contact with the eyes, also seek medical help. Liquid expelled from the battery can cause irritation or burns.
- e. Do not use a battery or tool that is damaged or modified. They may exhibit unpredictable behavior resulting in fire, explosion, or risk of injury.
- f. Do not expose a battery or tool to fire or excessive heat. Exposure to fire or temperature above 130°C may cause an explosion.
- g. Follow all charging instructions. Do not charge the battery or tool outside the temperature range specified in the instructions. Improper charging or charging at temperatures outside the specified range may damage the battery or increase the risk of fire.

5) Service

- a. Have your power tool serviced by a qualified person and use replacement parts recommended by the manufacturer. This will ensure that the safety of the power tool is maintained.
- b. Never use damaged batteries. Battery packs should only be serviced by the manufacturer or authorized service providers.

Safety rules for correct use



Please read the instruction manual before use.



CE conformity.



Wear safety glasses, hearing protection and a dust mask.



Waste electrical products must not be disposed of with household waste. Please recycle at the appropriate facilities. Check with your local authority or retailer for recycling advice.



Security alert. Use only accessories supported by the manufacturer.



Always recycle batteries and tools.



Do not destroy the battery with fire.



Do not expose battery to water.

Other risks

Safety tips related to this multi-tool

- When working, hold the power tool firmly with both hands and maintain proper balance and footing. It is safer to guide the power tool with both hands.
- Secure the work piece. A workpiece held in a clamp or vise is held more securely in place than one held by hand.
- Keep your work area clean. Material mixtures can be particularly dangerous. Light metal alloy powder can burn or explode. Do not use the device if the power cord or mains plug is damaged.
- Damaged power cords increase the risk of electrical shock. Wear protective gloves.
- Tools get hot with prolonged use.
- Use the power tool for dry sanding/sawing/cutting only.
- Do not use the device in a humid environment. Water entering an electrical device increases the risk of electrical shock.
- Keep your hands away from the cutting area. Do not grab the bottom of the work piece. Contact with the cutting attachment can cause injury.
- Use a suitable detector to locate hidden utility cables/pipes or approach local utility providers. Contact with electrical wires can cause fire or electric shock.

Damaging a gas pipe can cause an explosion. Puncturing a water pipe can cause property damage or electrical shock.



Caveat

- Any harmful/harmful dust generated by sanding poses a health risk to the person using the device and to anyone in the vicinity of the work area.
- Wear safety glasses and a dust mask.
- Make sure there is adequate ventilation when working with plastic, paint, varnish, etc.
- Do not soak the materials or the surface you are going to work on with liquids that contain solvents.

Other risks

Even when the power tool is used as prescribed, it is not possible to eliminate all residual risk factors:

- a. Health defects resulting from vibration emission if the power tool is used for a longer period of time or if it is not managed and maintained properly.
- b. Injuries and property damage due to broken fixtures breaking suddenly.



Caution

This power tool produces an electromagnetic field during operation. This field can, in some circumstances, interfere with active or passive medical implants.



To reduce the risk of serious injury, we recommend that persons with medical implants consult their physician before using this power tool.

If the charger cable is damaged or cut, do not touch the cable, immediately unplug the charger. Never use it with a damaged cable.

The machine must not be damp and must not be used in a humid environment.



Attention

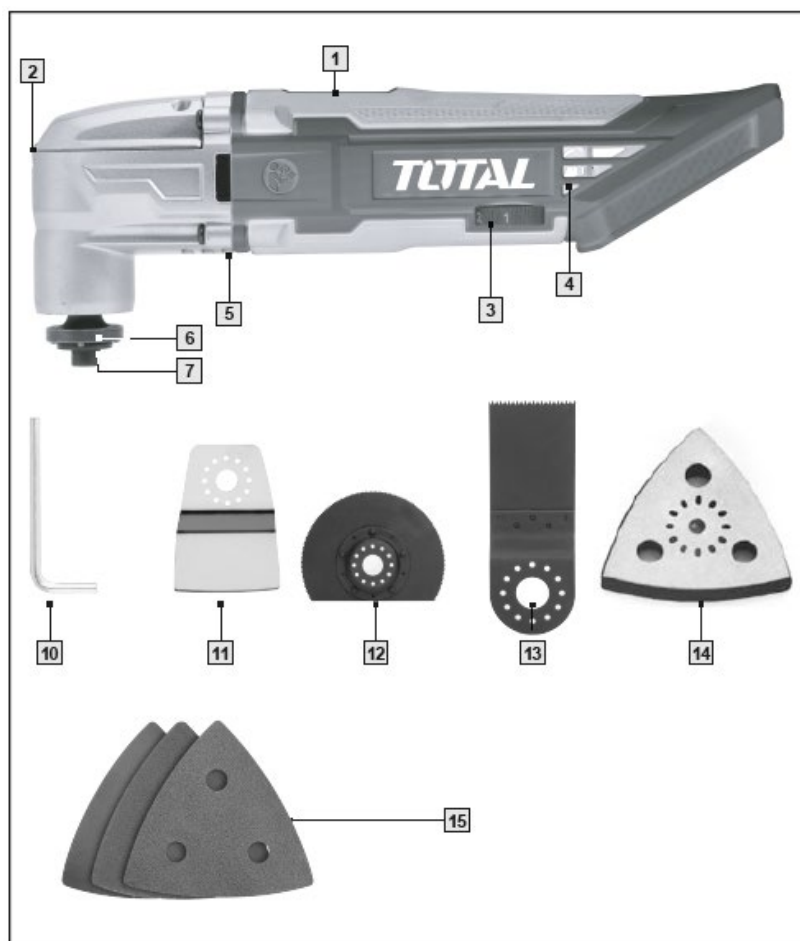
Safe operation of this machine is only possible when the operating or safety information is fully read and the instructions contained therein are strictly followed.



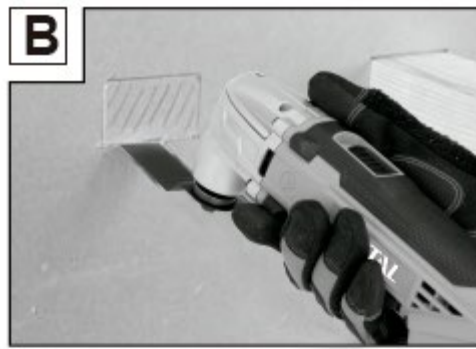
Technical data

Data sheet	
Voltage	20V
No load speed	5000 – 20000 /min

Product description



1. On/off switch
2. LED lights
3. Speed control knob
4. Ventilation grids
5. Tool light
6. Lock washer
7. Holding bolt
10. Allen key
11. Scraper 79 x 52mm
12. Circular saw blade 85mm
13. Cutting blade 95 x 32 mm
14. Delta sanding plate
15. Sandpaper



Caution

Always make sure the tool is turned off and the battery cartridge has been removed before adjusting or checking the function of the tool.

Assembly and commissioning

Start up

Checking the battery charge

When the device is on, the battery status indicator [2] indicates the status or remaining power as follows:

RED / ORANGE / GREEN = maximum load

RED / ORANGE = medium load

RED = low charge - recharge the battery

Accessory Selection

Note: Universal system with easy tool change fits common accessories.

HCS cutting blade 95 x 32 mm

Materials:

- Wood, plastic, plaster and other soft materials.

Applications:

- Plunge and shear saw cuts
- Saw close to the edge, even in hard-to-reach areas.

Example:

- Cutting of notches in light construction walls. (Fig. A and B)



Circular saw blade

Material:

- Wood, metal

Applications:

- Plunge cutting and sawing
- Sawing close to the edge, even in hard-to-reach areas.

Example:

- Laying of parquet and other floor coverings, including plunge sawing. (Fig. C).



Scraper

Materials:

- Cement waste, tile/carpet adhesive, paint/silicone waste.

Use:

- Elimination of waste material.

Example:

- Remains of adhesive for carpets on floors. (Fig. D).



Sanding plate

Materials:

- Wood and metal (sanding sheets included), paint*, stone*.
- *Depending on sanding sheet.

Use:

- Sanding of edges and areas of difficult access. (Fig.E and F).
- Attach the sanding sheet to the grinding plate.
- Center the sanding sheet [15] on the abrasive plate [14].



Caveat

Always remove the battery from the product before working on the power tool.

Change the accessory (see Fig. G)

- Remove any tool already inserted. To do this, loosen the clamping screw [7] with the Allen key [10] and remove the tool.
- Place the tool (e.g. plunge saw blade [13]) in the tool holder.

Note: You can place the tool in any of the possible positions in the tool holder. Secure the tool in place with the clamping screw [7] and clamping plate.

- Tighten the clamping screw [7] with the Allen key [10].
- Check that the tool is firmly seated. Improperly or insecurely positioned tools can be lost during use and injure you.

Operation

On off

- Slide the ON/OFF switch [1] forward to turn on the device.
- Slide the ON/OFF switch [1] back to turn off the device.

Oscillation speed selection

- Preselect the desired oscillation speed with the oscillation speed adjustment wheel. [3]

Note: The required swing speed depends on the material and the working conditions and can be determined by a practical test.

Maintenance and cleaning



Caution

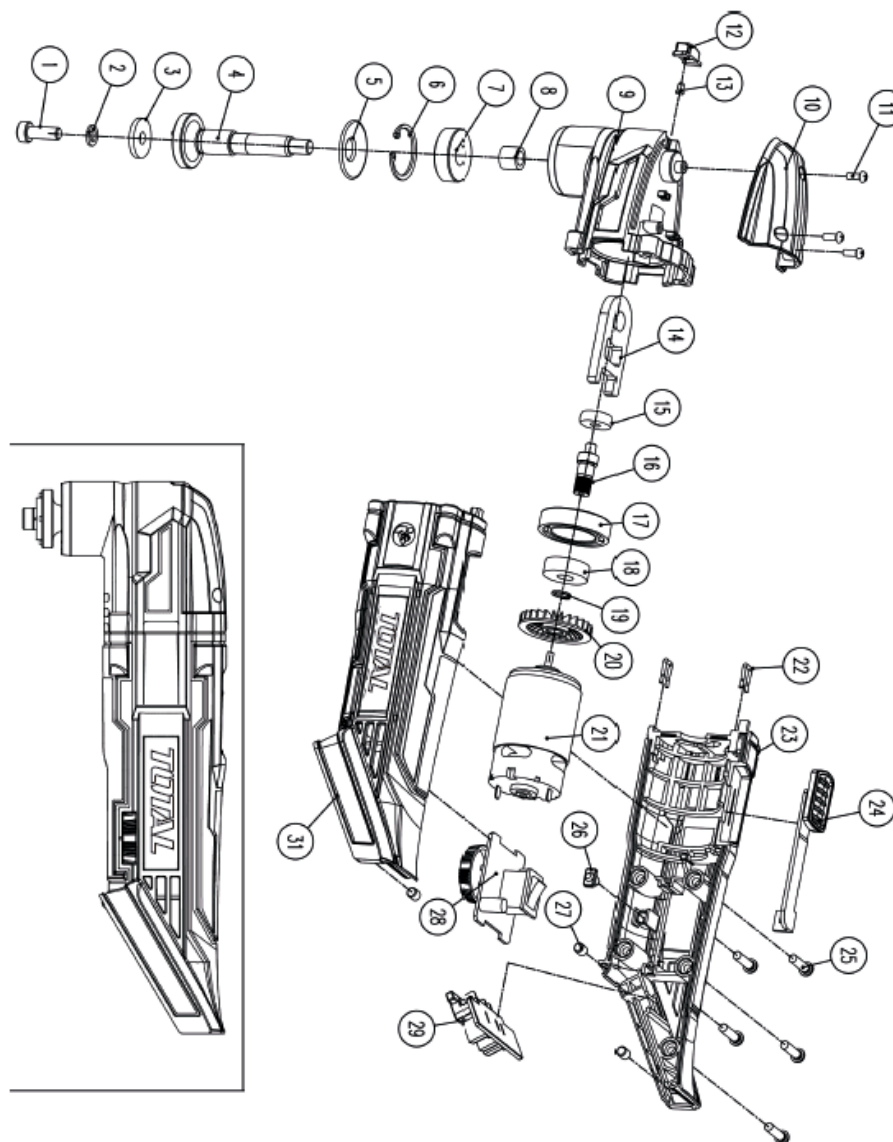
Always remove the battery from the tool before performing maintenance work on the tool.

- Do not use sharp objects to clean the device.
- Do not allow any liquid to enter the device.
- Otherwise, the device may be damaged.

- Clean the device frequently; For best results, do this right after you're done using it.
- Use a dry cloth to clean the case; in no case use gasoline, solvents or cleaning products that attack the plastic.
- A vacuum cleaner is required to thoroughly clean the device.
- The ventilation openings must always be kept free.
- Remove adhering dust with a fine brush.
- When storing a lithium-ion battery for long periods of time, check the charge regularly.
- The optimum load is between 50% and 80%. The optimal storage climate is cool and dry.

Note: Spare parts not listed (e.g. carbon brushes, switches) can be ordered through our call center.

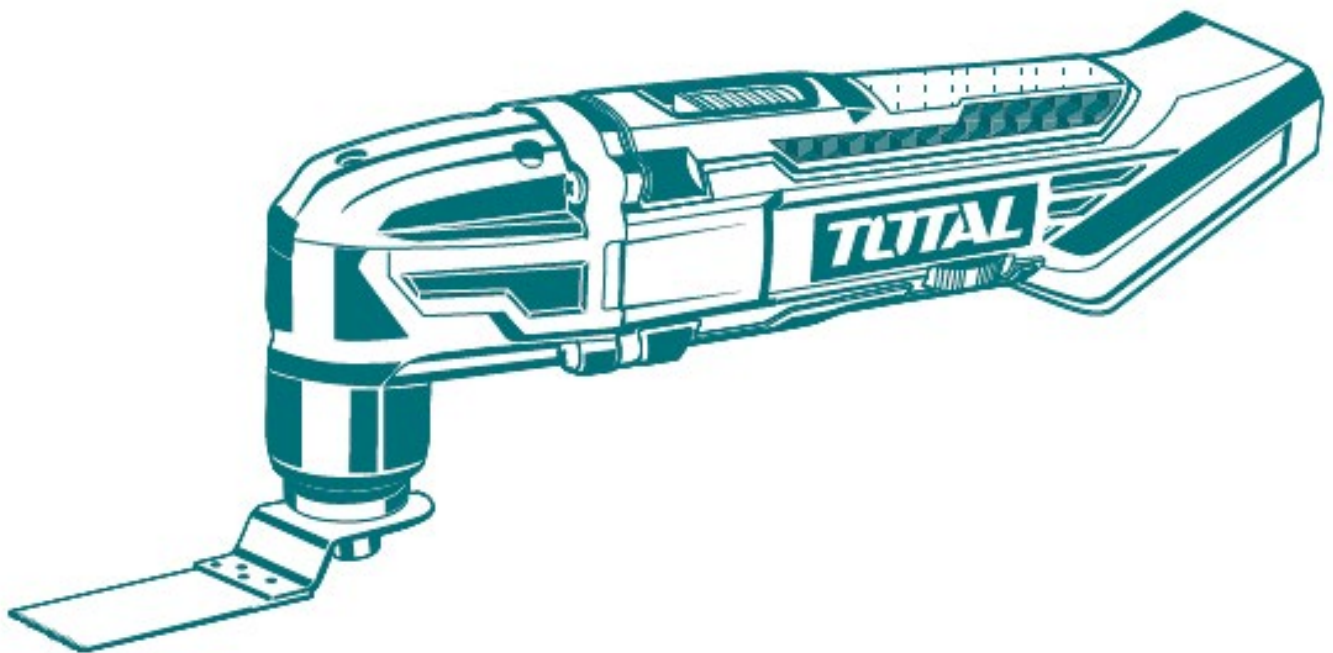
Exploded view



TOTAL

One-Stop Tools Station

TOTAL



MULTITOOL

20V