

TOTAL

One-Stop Tools Station

TOTAL

BATTERY HAMMER DRILL

TIDLI200215



P20S



20V

Security instructions



Caution

Read all safety warnings and all instructions. Failure to follow all warnings and instructions may result in electrical shock, fire, and/or serious injury.

The term “power tool” in the warnings refers to your mains-operated (corded) power tool or battery-operated (cordless) power tool.

Note: Save all warnings and instructions for future reference.

1) Work area safety

- a. Keep the work area clean and well lit to prevent accidents.
- b. Do not use power tools in explosive atmospheres, such as in the presence of flammable liquids, gases, or dust that can cause fires.
- c. Keep children and other unauthorized persons away while using a power tool. Distractions can cause you to lose control of the tool.

2) electrical safety

- a. Power tool plugs must match the outlet. Never modify the plug in any way. Using a suitable plug reduces the risk of electric shock.
- b. Avoid bodily contact with grounded surfaces such as pipes, radiators, ranges, and refrigerators. There is an increased risk of electric shock if your body is grounded.
- c. Do not expose power tools to rain or wet conditions. Water entering a power tool will increase the risk of electrical shock.
- d. Never use the cord to carry, pull or unplug the power tool. Keep the cable away from heat or oil.
- e. When using a power tool outdoors, use an extension cord suitable for outdoor use.
- f. If using the tool in a damp location is unavoidable, use a Residual Current Device (RCD) protected supply to reduce the risk of electric shock.

3) Personal security

- a. Always stay alert, watch what you are doing and use common sense when using the tool.
- b. Do not use a power tool if you are tired or under the influence of medication or other substances.
- c. Wear personal protective equipment. Always wear eye protection. Protective equipment such as a dust mask, non-slip safety shoes, hard hat, or hearing protection used in the proper conditions will reduce personal injury. Also don't wear loose clothing or jewelry.
- d. Prevent the tool from turning on unintentionally. Make sure the switch is in the off position before connecting to power source and moving.
- e. Remove any adjusting wrenches or wrenches before turning on the power tool. An adjustable wrench or wrench placed in a rotating part of the power tool can cause serious injury.
- f. If devices are used for dust extraction and collection, make sure they are properly connected. Properly use these devices and you will reduce dust-related hazards.

4) Use and care of the battery tool

- a. Recharge the battery only with the charger specified by the manufacturer. An unsuitable charger can create a fire hazard.
- b. Use power tools only with specifically designated batteries. Use of other batteries may create a risk of injury or fire.
- c. When the batteries are not in use, keep it away from other metal objects, such as paper clips, coins, keys, nails, screws, or other small metal objects, that can make a connection from one terminal to another. Shorting the battery terminals can cause burns or fire.
- d. Abusive conditions can cause expulsion of liquid from the battery; avoid contact. If accidentally contacted, rinse immediately with water. If the liquid comes into contact with the eyes, also seek medical help. Liquid expelled from the battery can cause irritation or burns.
- e. Do not use a battery or tool that is damaged or modified. They may exhibit unpredictable behavior resulting in fire, explosion, or risk of injury.
- f. Do not expose a battery or tool to fire or excessive heat. Exposure to fire or temperature above 130°C may cause an explosion.
- g. Follow all charging instructions. Do not charge the battery or tool outside the temperature range specified in the instructions. Improper charging or charging at temperatures outside the specified range may damage the battery or increase the risk of fire.

5) Service

- a. Have your power tool serviced by a qualified person and use replacement parts recommended by the manufacturer. This will ensure that the safety of the power tool is maintained.

Safety rules for correct use



Double insulation for additional protection



Please read the instruction manual before use.



CE conformity.



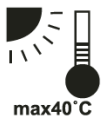
Wear safety glasses, hearing protection and a dust mask.



Waste electrical products must not be disposed of with household waste. Please recycle at the appropriate facilities. Check with your local authority or retailer for recycling advice.



Security alert. Use only accessories supported by the manufacturer.



Charge the battery only below 40°C



Always recycle batteries



Do not expose the battery to fire or high temperatures



Do not expose battery to water

Additional security warnings

Drill Safety Warnings

- Hold tool by insulated gripping surfaces when performing an operation where the cutting accessory may contact hidden wiring.
- The cutting accessory coming into contact with a "live" wire can make exposed metal parts of the power tool "live" and could give the operator an electric shock.

Other risks

Even when the power tool is used as prescribed, it is not possible to eliminate all residual risk factors:

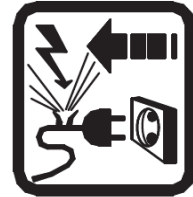
- a. Health defects resulting from vibration emission if the power tool is used for a longer period of time or if it is not managed and maintained properly.
- b. Injuries and property damage due to broken fixtures breaking suddenly.



Caution

This power tool produces an electromagnetic field during operation. This field can, in some circumstances, interfere with active or passive medical implants.

To reduce the risk of serious injury, we recommend that persons with medical implants consult their physician before using this power tool.



If the cable is damaged or cut during work, do not touch the cable, immediately unplug the tool. Never use the machine with a damaged cable.

The machine must not be damp and must not be used in a humid environment.



Attention

Safe operation of this machine is only possible when the operating or safety information is fully read and the instructions contained therein are strictly followed.



Technical data

Data sheet	
Voltage	20V
charging time	≈ 2 hours
speeds	two
no load speed	0-400/0-1500 /min
Impact rate per minute	0-6000/022500/min
torque settings	18+1+1
maximum torque	45Nm
Keyless chuck capacity	10mm

Note: Due to the continuous program of R&D&I, this document is subject to change without notice.

Other warnings

Save these instructions



Attention

Do not let comfort or familiarity with the product (gained from repeated use) replace strict adherence to safety rules for the product in question. Incorrect use or non-compliance with the safety rules indicated in this instruction manual can cause serious personal injury.

symbols

The symbols used for the tool are shown below.

symbols	
V	volts
— ... —	DC
n_0	no load speed
.../min r/min	Revolutions per minute

Important safety instructions for the battery cartridge

1. Before using the battery, read all instructions and cautionary markings on:
 - a. The battery charger
 - b. Battery
2. Do not disassemble the battery cartridge.
3. If the operating time has been shortened excessively, stop using it immediately. It can result in overheating, possible burns, and even an explosion. If electrolyte gets into your eyes, flush with clean water and seek immediate medical attention. It can result in loss of sight.
5. Do not short circuit the battery cartridge:
 - a. Do not touch the terminals with any conductive material
 - c. Do not expose the battery cartridge to water or rain.
Note: A short circuit in the battery can cause a large current flow, overheating, possible burns and even a breakdown.
7. Do not incinerate the battery cartridge even if it is badly damaged or completely spent. The battery cartridge may explode in case of fire.
8. Be careful not to drop or hit the battery.
9. Do not use a damaged battery.
10. Follow local regulations regarding battery disposal.

Tips for maintaining maximum battery life

1. Charge the battery cartridge before it is fully discharged. Always stop tool operation and charge the battery cartridge when you notice less power from the tool.
2. Never recharge a fully charged battery. Overcharging shortens battery life.
3. Charge the battery cartridge at room temperature 10°C to 40°C (50°F to 104°F). Let a hot battery cartridge cool down before charging it.
4. Charge the battery cartridge if you do not use it for a long time (approx. more than six months).

Product description



Attention

Always make sure the tool is turned off and the battery cartridge is removed before adjusting or checking the function on the tool.

Installing or removing the battery cartridge



Attention

Always turn off the tool before installing or removing the battery cartridge.

Hold the tool and battery cartridge firmly when installing or removing the battery cartridge. Failure to hold the tool and battery cartridge may cause them to fly out of your hands and result in damage to the tool, battery cartridge, or personal injury.



1. button battery two. battery cartridge

- To remove the battery cartridge, slide it out of the tool while sliding the button on the front of the cartridge.
- To install the battery cartridge, align the tab on the battery cartridge with the slot in the casing and slide it into place. Insert it all the way until it clicks into place with a small click. If you can see the red indicator at the top of the button, it's not completely locked.

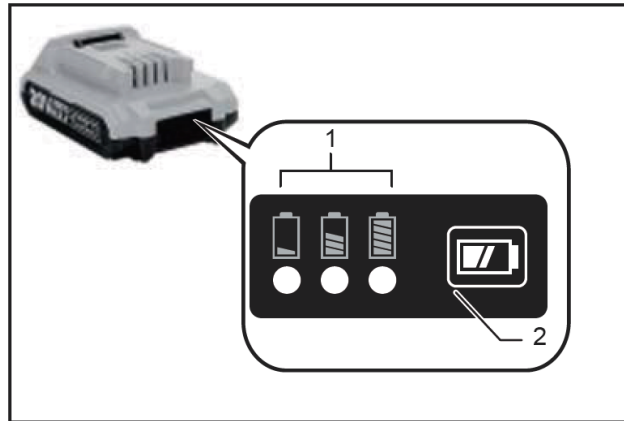


Attention

Always install the battery cartridge completely until the red indicator cannot be seen. Otherwise, it may accidentally fall off the tool and injure you or someone around you.

Do not install the battery cartridge forcibly. If the cartridge does not slide in easily, it is not being inserted correctly.

Remaining battery capacity indication



1. Indicator lights two. check button

Press the check button on the battery cartridge to indicate the remaining battery capacity. The indicator lights come on for a few seconds.

Indicators		remaining capacity
Switched on	Off	
■ ■ ■		>80%
■ ■ □		30% to 80%
■ □ □		<30%

Note: Depending on the conditions of use and the ambient temperature, the indication may differ slightly from the actual capacity.

Exchange action



1. Switch / trigger

To start the tool, simply pull the switch trigger. Tool speed is increased by increasing pressure on the switch trigger. Release the switch trigger to stop.



Attention

Before inserting the battery cartridge into the tool, always check that the switch trigger actuates properly and returns to the "OFF" position when released.

electric brake

This tool is equipped with an electric brake. If the tool does not stop quickly after releasing the switch trigger, have the tool repaired at a TOTAL service center.

Illuminating the front light



1. light

- Pull the switch trigger to turn on the light.
 - This light stays on while the switch trigger is pulled.
 - Shuts off 10-15 seconds after trigger is released.

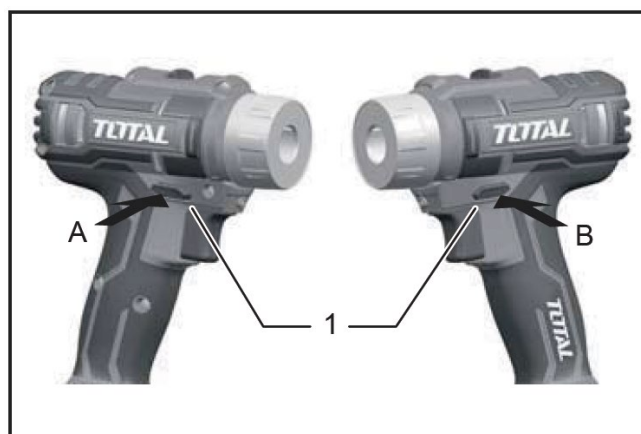
Note: Please use a dry cloth to clean the dirt on the lens of the light. Be careful not to scratch it, as it may decrease lighting.



Attention

Do not look at the light directly.

Reversing switch lever



1. Reversing switch lever

This tool has a reverse switch to change the direction of rotation.

- Press the reversing switch lever from side A to rotate clockwise
- Press from side B to rotate counterclockwise.

- When the direction change switch lever is in the neutral position, the switch trigger cannot be pulled.



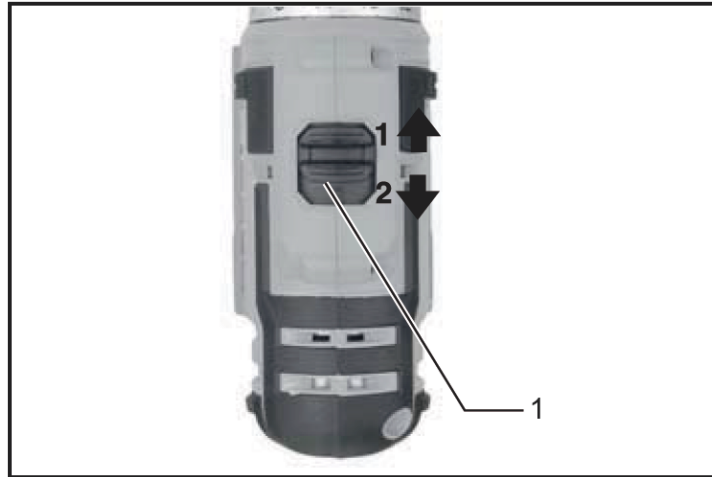
Attention

Always check the direction of rotation before operation.

Use the reverse switch only after the tool has come to a complete stop. Changing the direction of rotation before the tool stops can damage the tool.

When not operating the tool, always place the reversing switch lever in the neutral position.

Fast change



1. Gear shift lever

Gear shift switch position	Speed	torque	Operation
1	Under	High	heavy load operation
two	High	Under	light load operation

- To change the speed, turn off the tool.
- Select side "2" for high speed
- Select "1" for low speed but high torque.

Note: Make sure the gear shift lever is in the correct position before operation.

If the tool speed is extremely low during operation with "2", slide the lever to "1" and restart the operation.



Attention

Always put the gear shift lever fully in the correct position. If you use the tool with the speed change lever positioned midway between side "1" and side "2", the tool may be damaged.

Do not use the speed change lever while the tool is running. The tool may be damaged.

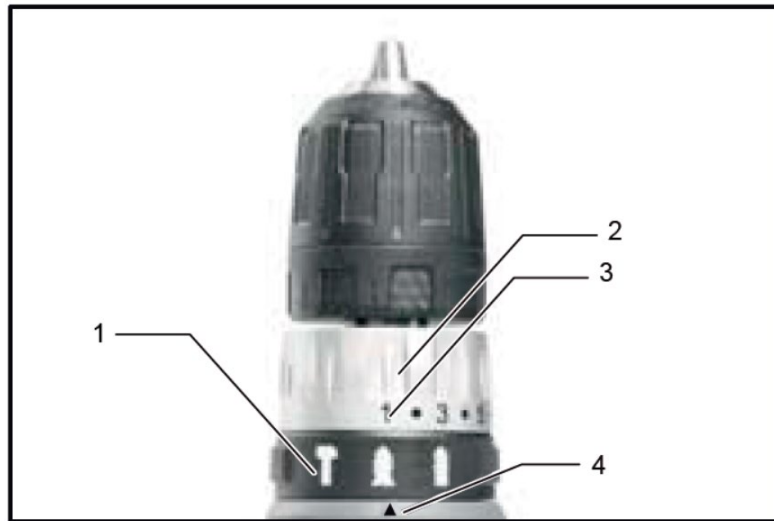
Select the mode of action



Attention




Always set the thread correctly at the mark you want. If you operate the tool with the thread positioned midway between the mode marks, the tool may be damaged.

When you change the position of "🔩" to other modes, it may be a little different. In this case, turn on and run the tool for a second in the position "🔩", then stop the tool and slide the thread to the desired position.

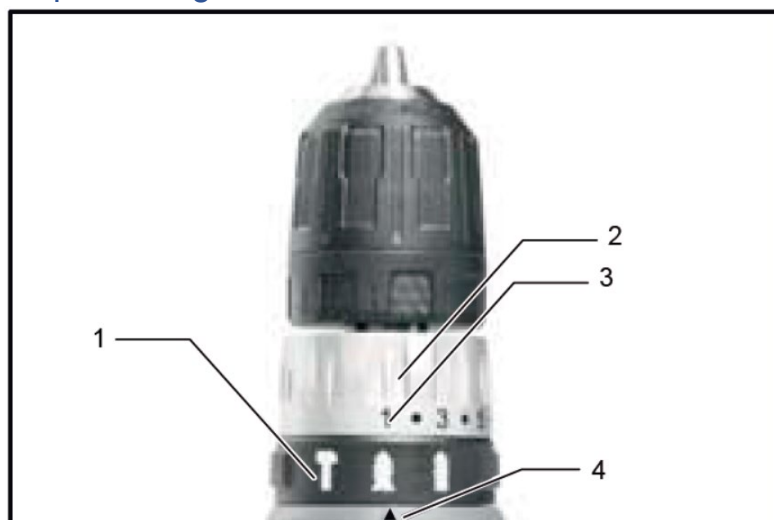


- | | |
|---------------------|---------------|
| 1. Action mode ring | 3. Graduation |
| 2. Adjustment ring | 4. Arrow |

This tool has three modes of action:

	Drill mode (rotation only)
	Hammer drilling mode (rotation with hammering)
	<p style="text-align: center;">Screwdriving mode (rotation with clutch)</p> <ul style="list-style-type: none"> • Select a suitable mode for your work. • Turn the action mode change ring • Align the mark you selected with the arrow on the body of the tool

Tightening torque setting



- | | |
|---------------------|---------------|
| 1. Action mode ring | 3. Graduation |
| 2. Adjustment ring | 4. Arrow |

The tightening torque can be adjusted in 18 steps by turning the adjusting ring. You can get the minimum tightening torque at 1 and the maximum torque at 18.

- Align the graduations with the arrow on the tool body.
- Before actual operation, drive a test screw into your material or a piece of duplicate material to determine what level of torque is required for a particular application.

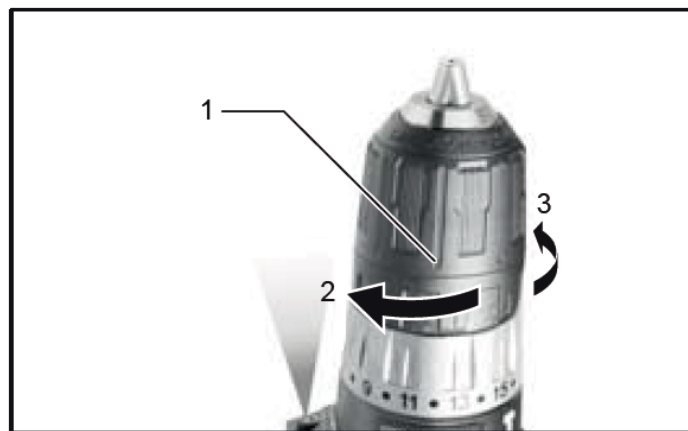
Mounting



Attention

Always make sure the tool is switched off and the battery cartridge is removed before carrying out any work on the tool.

Bit installation or removal



1. Chuck 2. Close 3. ablaugh

- Turn the ring counterclockwise to open the chuck jaws.
- Put the bit into the chuck as far as it will go.
- Turn the ring clockwise to tighten the chuck.
- To remove the bit, turn the thread counterclockwise.

The hook is convenient for temporarily hanging the tool. This can be installed on either side of the tool. To install the hook:

- Insert it into a slot in the tool housing on each side
- Secure it with a screw.
- To remove it, loosen the screw and then pull it out.

Start up

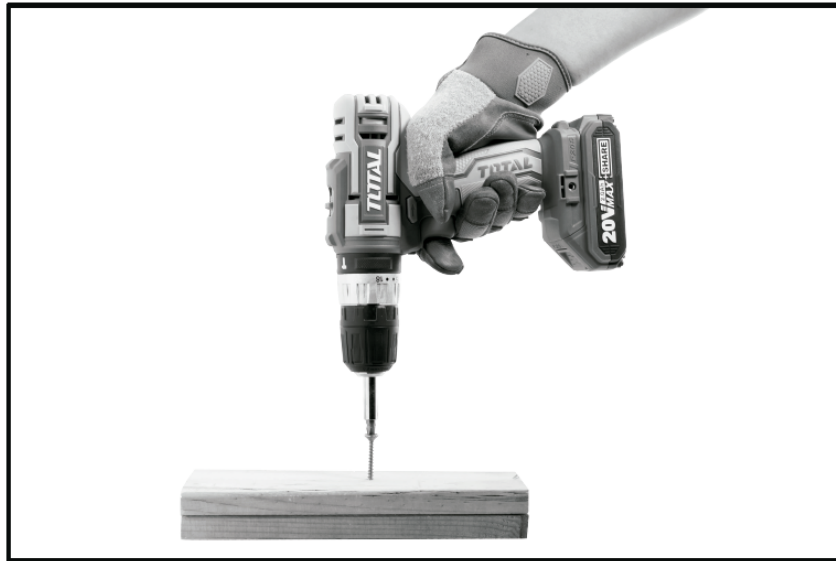


Attention

Always insert the battery cartridge all the way in until it clicks into place. If you can see the red part at the top of the button, it is not completely locked.

Insert it fully until the red part is no longer visible. Otherwise, it may accidentally fall off the tool and injure you or someone around you.

Keep one hand on the grip and the other hand on the bottom of the battery cartridge to control the twisting action.



Screwing operation

Caution

Set the adjusting thread to the proper torque level for your job.

Make sure the bit is inserted straight into the screw head, or the screw and/or bit may be damaged.

- Place the tip of the bit on the screw head and apply pressure to the tool.
- Start the tool slowly and then gradually increase the speed.
- Release the switch trigger as soon as the clutch engages.

Note: When driving a wood screw, pre-drill a pilot hole 2/3 the diameter of the screw. Makes driving easier and prevents the workpiece from splitting.

Hammer drilling operation

Caution


A large and sudden twisting force is exerted on the tool/bit at the time of hole penetration, when the hole becomes clogged with chips and particles, or when hitting rebar embedded in concrete.

- First, turn the action mode change screw so that the arrow on the tool body points to the mark. The adjusting thread can be aligned at any torque level for this operation.
- Be sure to use a tungsten carbide tipped drill bit. Position the bit at the desired hole location, then pull the switch trigger. Do not force the tool. Light pressure gives best results.

Keep the tool in position and prevent it from slipping out of the hole. Do not apply more pressure when the hole is clogged with chips or particles.

Instead, run the tool at idle speed, then remove the bit partially from the hole. Repeating this several times will clear the hole and normal drilling can resume.

Drilling operation

First, turn the adjusting screw so that the pointer points to the mark . Then proceed as follows.

Drilling in wood

When drilling in wood, the best results are obtained with wood drills equipped with a guide screw. The guide screw facilitates drilling by driving the bit into the workpiece.

Metal drilling

To prevent the bit from slipping when starting a hole, make a notch with a punch and hammer at the point to be drilled. Place the tip of the drill bit in the notch and start drilling.

Use a cutting lubricant when drilling metal. The exceptions are iron and brass.



Attention

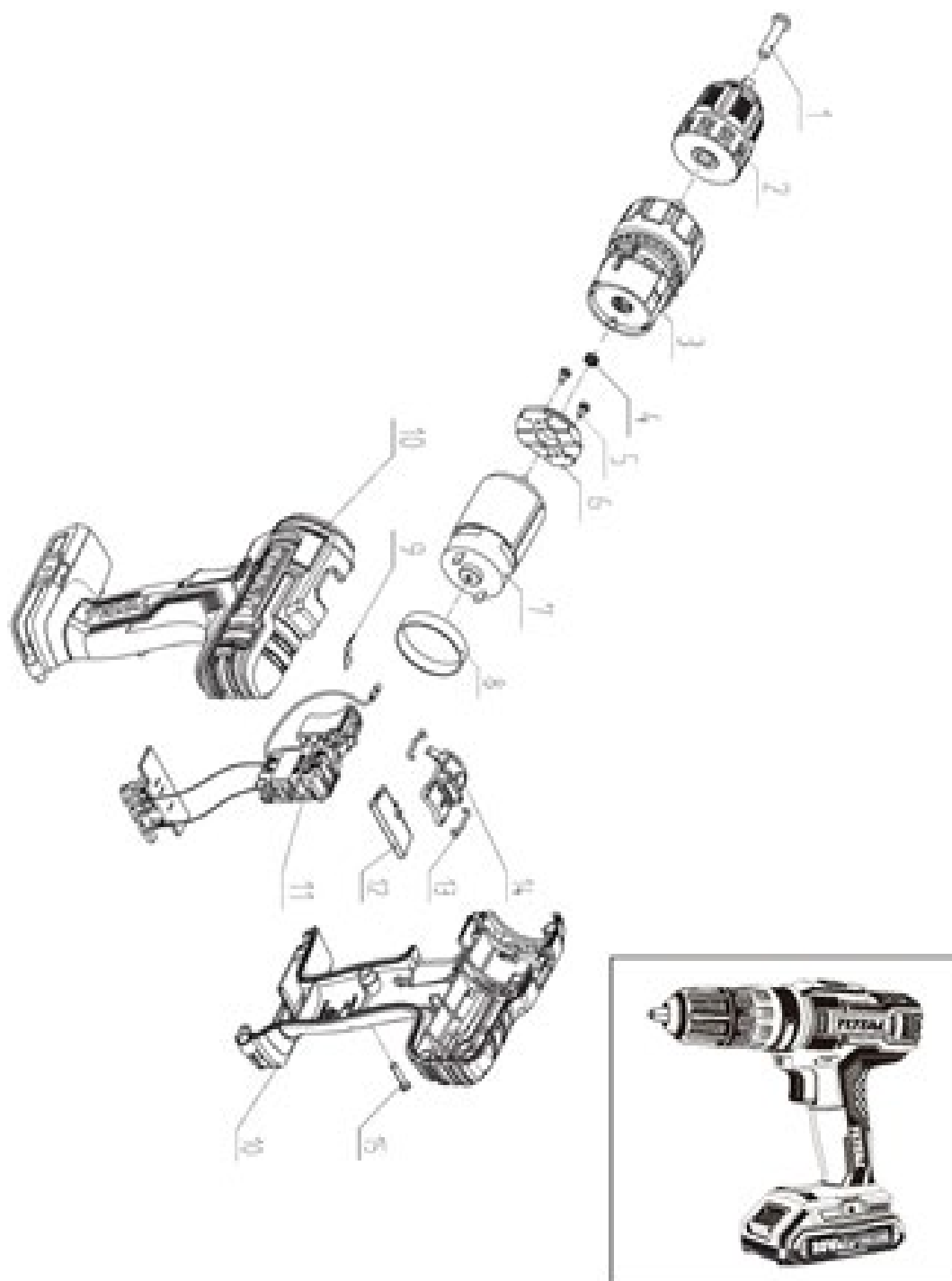
- Excessive pressure on the tool will not speed up the drilling. In fact, this excessive pressure will only serve to damage the tip of your bit, decrease tool performance, and shorten tool life.
- Hold the tool firmly and be careful when the bit starts to break the workpiece. Tremendous force is exerted on the tool/drill at the moment of hole breaking.
- A stuck bit can be removed by simply placing the reversing switch in reverse rotation to back out. However, the tool can snap back if you do not hold it firmly.
- Always secure small workpieces in a vise or similar holding device.
- If the tool is used continuously until the battery cartridge is discharged, let the tool rest for 15 minutes before continuing with a new battery.

Environment



- Do not dispose of electrical appliances as unsorted municipal waste, use separate collection facilities.
- Contact your local authority for information on available collection systems.
- If electrical appliances are disposed of in landfills, hazardous substances can seep into the groundwater and enter the food chain, harming your health and well-being.
- Recycle raw materials instead of disposing of them as waste.
- The machine, accessories and packaging must be sorted for environmentally friendly recycling.

Exploded view



TOTAL

One-Stop Tools Station

TOTAL



BATTERY HAMMER DRILL

20V