

TOTAL

One-Stop Tools Station

TOTAL

BATTERY HEDGE TRIMMER

THTLI20018



20V

Security instructions



Warning

Read all safety warnings and all instructions. Failure to follow warnings and instructions may result in battery discharge, fire, and/or serious injury.

Save all warnings and instructions for future reference.

Note: The term “battery tool” in the warnings refers to your battery-operated (cordless) battery tool. Due to our ongoing R&D&I program, the specifications in this document are subject to change without notice.

1) Work area safety

- a. Keep the work area clean and well lit to prevent accidents.
- b. Do not use battery tools in explosive atmospheres, such as in the presence of flammable liquids, gases, or dust that can cause fires.
- c. Keep children and other unauthorized persons away while using a battery tool. Distractions can cause you to lose control of the tool.

2) electrical safety

- a. The plugs for charging the battery of the P20S tools must match the outlet. Never modify the plug in any way. Using a suitable plug reduces the risk of electric shock.
- b. Use only batteries and charger specified by the manufacturer. Use of other unauthorized devices may create a risk of fire or injury.
- c. Avoid bodily contact with grounded surfaces such as pipes, radiators, ranges, and refrigerators. There is an increased risk of electric shock if your body is grounded.
- d. Do not expose battery tools to rain or wet conditions. Water entering a battery tool will increase the risk of electric shock.
- e. The engine must be shut down immediately in case the equipment shows any problem or abnormal signal.
- f. Never use the cable to carry, pull or unplug the battery charger. Keep the cable away from heat or oil.
- g. If using the tool in a wet location is unavoidable, use a Residual Current Device (RCD) protected supply to reduce the risk of electric shock when charging the battery.

3) Personal security

- a. Always stay alert, watch what you are doing and use common sense when using the tool.
- b. Do not use a battery tool if you are tired or under the influence of medication or other substances.
- c. Use the machine only if you are in good physical condition. Carry out all work calmly and carefully. Use common sense and keep in mind that the operator is responsible for any accidents or hazards that occur to other people or his property.
- d. Prevent the tool from turning on unintentionally. Make sure the switch is in the off position before connecting to battery or moving.
- e. If devices are used for dust extraction and collection, make sure they are properly connected. Properly use these devices and you will reduce dust-related hazards.

- f. Don't overdo it. Maintain posture and balance at all times. This allows for better control of the power tool in unexpected situations.

Use of suitable PPE

- Wear personal protective equipment. Always wear eye protection. Protective equipment such as a dust mask, non-slip safety shoes, hard hat, or hearing protection used in the proper conditions will reduce personal injury. Also don't wear loose clothing or jewelry.
- To prevent injury to your head, eyes, hands, or feet, as well as to protect your hearing, you must wear the following protective equipment and clothing while operating the equipment.
- Wear proper noise protection equipment to avoid hearing problems (ear muffs, ear plugs, etc.).
- Overalls protect against flying stones and debris.
- Special protective gloves are part of the prescribed equipment and must always be worn during equipment operation.
- When using the equipment, always wear suitable footwear.
- Secure the hair so that it is above shoulder level.

4) Use and care of battery tools

- a. Do not force the tool. Use the right battery tool for each use.
- b. Do not use the battery tool if its power switch does not work. Any battery tool that cannot be controlled with the switch is dangerous and must be repaired.
- c. Disconnect the battery before making any adjustments, changing accessories, or storing the tool to avoid accidental starting.
- d. Use the battery tool, accessories and bits etc. in accordance with these instructions, taking into account the working conditions and the work to be carried out. Using the battery tool for operations other than its intended purpose could result in a dangerous situation.
- e. Store battery tools out of the reach of children and do not allow people unfamiliar with the tool to use it.
- f. When the battery pack is not in use, keep it away from other metal objects, such as paper clips, coins, keys, nails, screws, or other small metal objects, that can make a connection from one terminal to another. Shorting the battery terminals can cause burns or fire.
- g. Under abusive conditions, fluid can be expelled from the battery; avoid contact. If accidental contact occurs, rinse with water. If the liquid comes into contact with the eyes, also seek medical help. The expelled liquid can cause irritation or burns.
- h. Do not throw the battery into fire. The cell can explode.
- i. Do not open or break the battery. Released electrolyte is corrosive and may damage eyes or skin. May be toxic if ingested.
- j. Do not short circuit the battery cartridge.
- k. Carry out regular maintenance on battery tools. Check for misalignment or binding of moving parts, breakage of parts, and any other condition that may affect the operation of battery tools. If it is damaged, have the battery tool repaired before using it. Many accidents are caused by poorly maintained battery tools.
- l. Keep accessories clean and sharp, as with proper maintenance they are less likely to bind and are easier to control.

5) Service

- a. Have your battery tool serviced by a qualified person and use replacement parts recommended by the manufacturer. This will ensure the safety of the battery tool is maintained.

Safety rules for correct use



Read the instruction manual. Improper or careless use of a hedge trimmer can make it a dangerous tool that can cause serious injury or death. It is extremely important that you read and understand the contents of this manual.



Wear eye protection



Wear ear protection



Do not use it in the rain or leave it outdoors while it is raining.



Wear safety shoes.



Always use approved protective gloves.



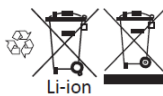
DC.

Noise emission into the environment according to the European Community Directive.

The emission of the machine is specified in the Technical Data chapter and on the label.



Waste electrical products must not be disposed of with household waste. Please recycle at the appropriate facilities. Check with your local authority or retailer for recycling advice.



This product should be disposed of at an appropriate recycling facility.



failsafe transformer



DC.



Use and store the battery charger indoors only.



Double insulation



Keep your hands away from the blade.

Additional security warnings

- Use both hands when operating the tool. Using one hand could cause loss of control and result in serious personal injury.
- Keep all body parts away from the cutting blade. Do not remove cut material or hold material to be cut when blades are moving.
- Make sure the switch is off when removing jammed material. Blades slip after power off. A moment of carelessness while using the tool may result in serious personal injury.
- Carry the hedge trimmer by the handle with the cutting blade stopped. When transporting or storing the hedge trimmer, always fit the cover of the cutting device. Proper handling of the hedge trimmer will reduce the possibility of personal injury from cutting blades.
- Only hold the tool by the insulated gripping surfaces as the cutting blade may contact hidden wiring. Cutting blades contacting a “live” wire can make exposed metal parts of the power tool “live” and could give the operator an electric shock.
- Do not remove the blade assembly unless you need to sharpen, straighten, or replace it. Take it to an official dealer for repair.
- Follow these instructions to avoid injury and reduce the risk of electric shock or fire.
- Replace the battery or charger immediately if the battery pack or charger cable is damaged.
- Make sure the switch is in the off position before inserting or removing the battery pack.
- Make sure the battery pack has been removed and the switch is in the OFF position before inspecting, adjusting, or servicing any part of the hedge trimmer.



Important

- Keep your hands away from the blade. Contact with the blade will cause serious personal injury.
- Always disconnect the battery before any maintenance on the machine.
- Children must be supervised to ensure that they do not play with the tool.
- Store the machine out of the reach of children. Never allow children or other persons not trained in the use of the machine and/or the battery to use or repair it.
- Never use a machine that has been modified in any way from its original specification.
- Wear personal protective equipment.
- Defective blades can increase the risk of accidents.
- The machine operator must ensure, during work, that no person or animal comes closer than 15 meters (50 feet).
- Never use the machine in bad weather, such as fog, rain, strong wind, severe cold, etc. Extremely hot weather can cause the machine to overheat.
- Never use a machine that is defective. Perform the safety checks and the service and maintenance instructions described in this manual. Some maintenance and service measures must be carried out by trained and qualified specialists. See the instructions. Carry out a general inspection of the machine before using it, refer to the maintenance schedule.



Warning

This machine produces an electromagnetic field during its operation. This can, in some circumstances, interfere with active or passive medical implants. To reduce the risk of serious or fatal injury, we recommend that individuals with medical implants consult their physician and the manufacturer of the medical implant before operating this machine.



Warning

Never allow children to use or be near the machine. Since the machine is easy to start, children may be able to start it if they are not kept under full supervision. This may pose a risk of serious personal injury. Therefore, disconnect the battery when the machine is not under close supervision.

Do not allow people with a lack of experience and knowledge to use tools, unless they have been supervised or instructed on the use of the appliance by a person responsible for their safety.

Note: Always use common sense: It is not possible to cover every conceivable situation you may face. Always be careful and avoid all situations that you feel are beyond your ability. If you are still not sure about the operating procedures after reading these instructions, you should consult an expert before proceeding.

Technical data

Data sheet	
Cutter type	Double sided
Cutting width	460mm
Blade speed	1400spm
Sound power level <i>[measured according to ISO22868]</i>	94.3dB(A) K=3
Sound pressure level <i>[measured according to EN60335-1 and EN60745-2-15]</i>	86.6db(A) K=3
Guaranteed sound power level	97dB(A)
Vibration levels in handles <i>[measured according to EN60745-1 and EN60745-2-15]</i>	2.46m/s ² K=1.5



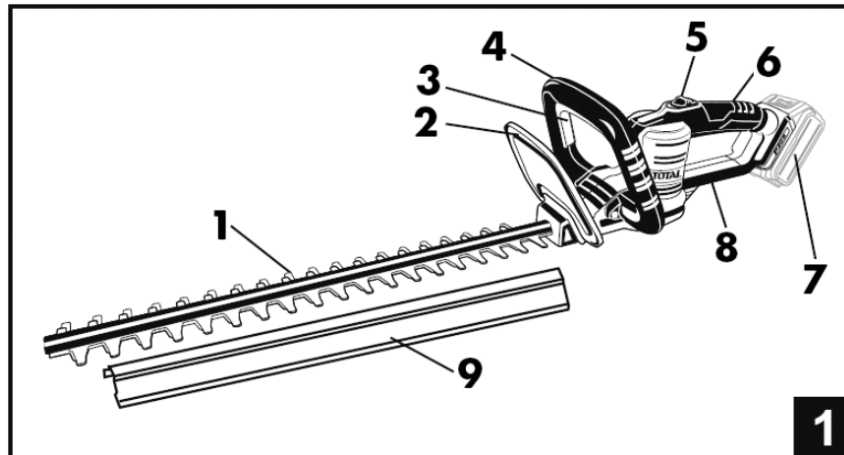
Caution

The vibration emission value during actual use of the tool may differ from the declared value depending on the ways the tool is used, according to the following examples and other variations:

- How the tool is used.
- The tool is in good condition and well maintained.
- Use the correct accessory for the tool and make sure it is in good condition.
- The strength of the grip on the handles and any vibration on the accessories are used.
- The tool is being used as intended by its design and these instructions.
- This tool can cause hand-arm vibration syndrome if its use is not managed properly.

Product description

1. Cutting sword (blades)
2. Front guard
3. Auxiliary switch
4. Front handle
5. Lock button
6. Rear handle
7. Battery pack
8. Trigger
9. Slashing Sword Sheath



Note: Not all accessories illustrated or described in this manual need to be included in the standard delivery.

Proper use

Safe use of this product requires an understanding of the information on the product and in this manual, as well as a knowledge of the project you are performing. Before using this product, familiarize yourself with all operating features and safety regulations.

Protective

The guard (2) helps deflect chips or other debris away from the operator's hands and eyes.

Trigger and lock button

The switch trigger (8), located under the rear handle, and the lock button (5), located behind the auxiliary handle, must be pressed simultaneously to allow blade rotation.

Assembly and commissioning

Mounting

Battery installation and removal (see fig. 2)

To install the battery

- Align the tab on the battery pack with the hole in the rear handle housing.
- Hold the handle firmly.
- Push the battery pack in until the latch clicks into place.



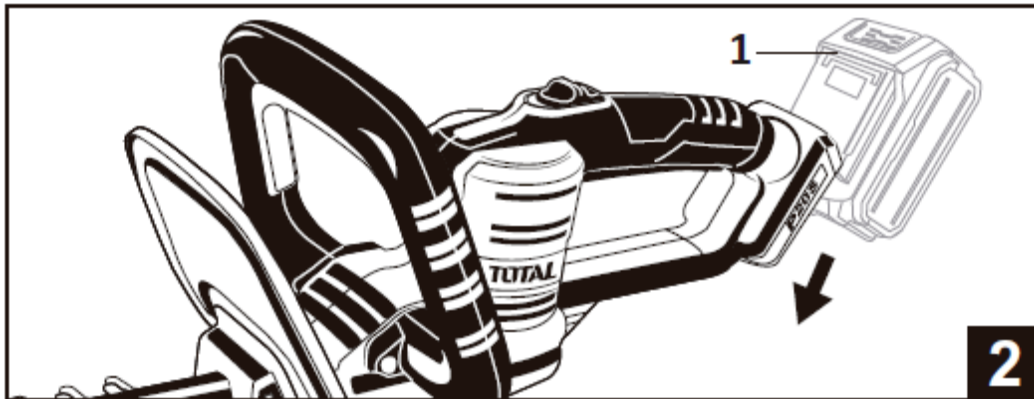
Important

The battery pack does not charge when purchased. Before using the tool for the first time, place the battery pack in the battery charger and charge it. Be sure to read all of the safety precautions and follow the instructions.

To remove the battery

- Press and hold the battery pack release button.
- Hold the rear handle firmly. Pull the battery pack out of the handle.

Note: The battery pack fits snugly into the handle to prevent accidental detachment. May require a slight tug to remove.



Unpacking

- Carefully remove the product and any accessories from the box.
- Make sure all items are included.
- Please inspect the product carefully to ensure there are no breakages or damage during shipment.
- Do not discard the packaging material until you have carefully inspected and satisfactorily used the product.

Start up

Warning



- Handle blades with care.
- Do not place your fingers or hand between the cutting blade or in any position where they may be caught or cut.
- Never service the blade or tool unless the battery pack is removed and in the off position.
- Do not use if blade assembly is damaged or bent. Take the tool to the official dealer for straightening, replacement or sharpening.
- Always keep both hands steady on the tool handles to prevent your hand from touching the blade.

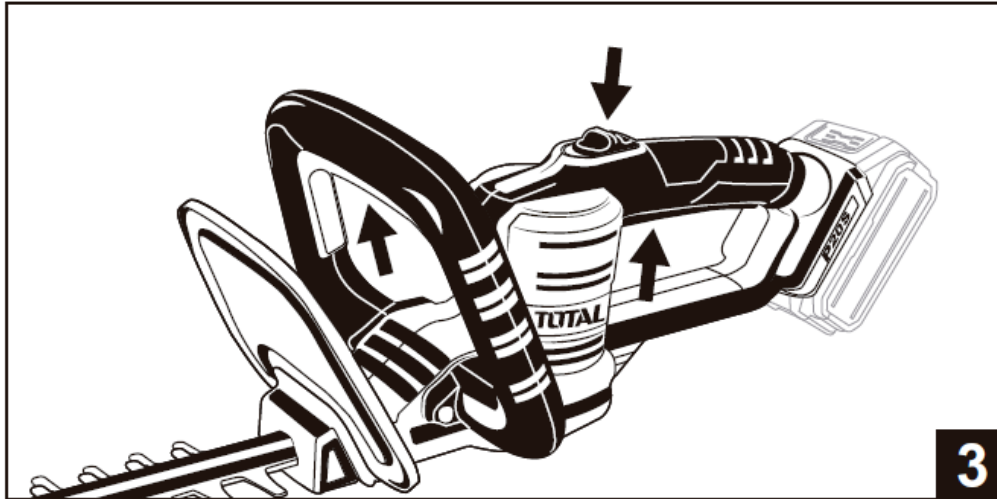
Instructions on and off (See Fig. 3)

The hedge trimmer has two switch controls and a lock-off button that are used together to prevent accidental starting or injury.

- Place one hand on the trigger handle. Put your other hand on the front handle.
- Press the lock button and hold it down.
- Pull the switch trigger. The hedge trimmer will turn on.

- Release the lock-on button. The hedge trimmer will stay on as long as the trigger and trigger switch are pressed to the ON position.
- The hedge trimmer will stop if you release the trigger handle.

Note: If the hedge trimmer is accidentally dropped, it will shut down and the blade will coast to a stop after several seconds. The hedge trimmer will lock back to OFF.



Maintenance and cleaning

Maintenance and storage

- When the machine is stopped for maintenance, inspection, or storage, or to change an attachment, turn off the power supply, disconnect the battery from the machine, and make sure all moving parts come to a complete stop.
- Let the machine cool down before making any inspections, adjustments, or even putting it away.
- Please use the machine carefully and keep it clean.
- Store the machine in a dry place out of reach of children.
- Replace worn or damaged parts. Use only manufacturer approved replacement parts and accessories.

Charger maintenance

- Keep the charger clean and free of debris.
- Do not allow foreign material to enter the cavity or the contacts.
- Clean the charger with a dry cloth. Do not use solvents or water, and do not place the charger in wet conditions.
- Please unplug the charger when you have no battery.
- Fully charge the batteries before storing them.
- Store the charger at normal room temperature. Do not store in excessive heat.
- Do not use the charger in direct sunlight. If the battery is hot, let it cool down before recharging.

Tips for maintaining maximum battery life

- Charge the battery cartridge before it is fully discharged.
- Always stop tool operation and charge the battery cartridge when you notice less power from the tool.

- Never recharge a fully charged battery cartridge. Overcharging shortens battery life.
- Charge the battery at room temperature between 5°C – 40°C (41°F -104°F).
- Let a hot battery cartridge cool down before charging it.

Battery charger during charging

LED indicator	possible mistake	Possible solution
flashing red LED	temperature deviation	Use the battery charger only when the ambient temperature is between 5°C and 40°C
red LED on		Contact your service agent

Cleaning

- Avoid the use of solvents when cleaning plastic parts. Most plastics are susceptible to damage from various types of solvents and can be damaged by their use.
- Use clean cloths to remove dirt, dust, oil, grease, etc.
- Do not at any time allow brake fluids, gasoline, petroleum-based products, penetrating oils, etc., to come into contact with plastic parts. Chemicals can damage, weaken, or destroy plastic, which can result in serious personal injury.
- Periodically clean all foreign material from the trimmer head vents.

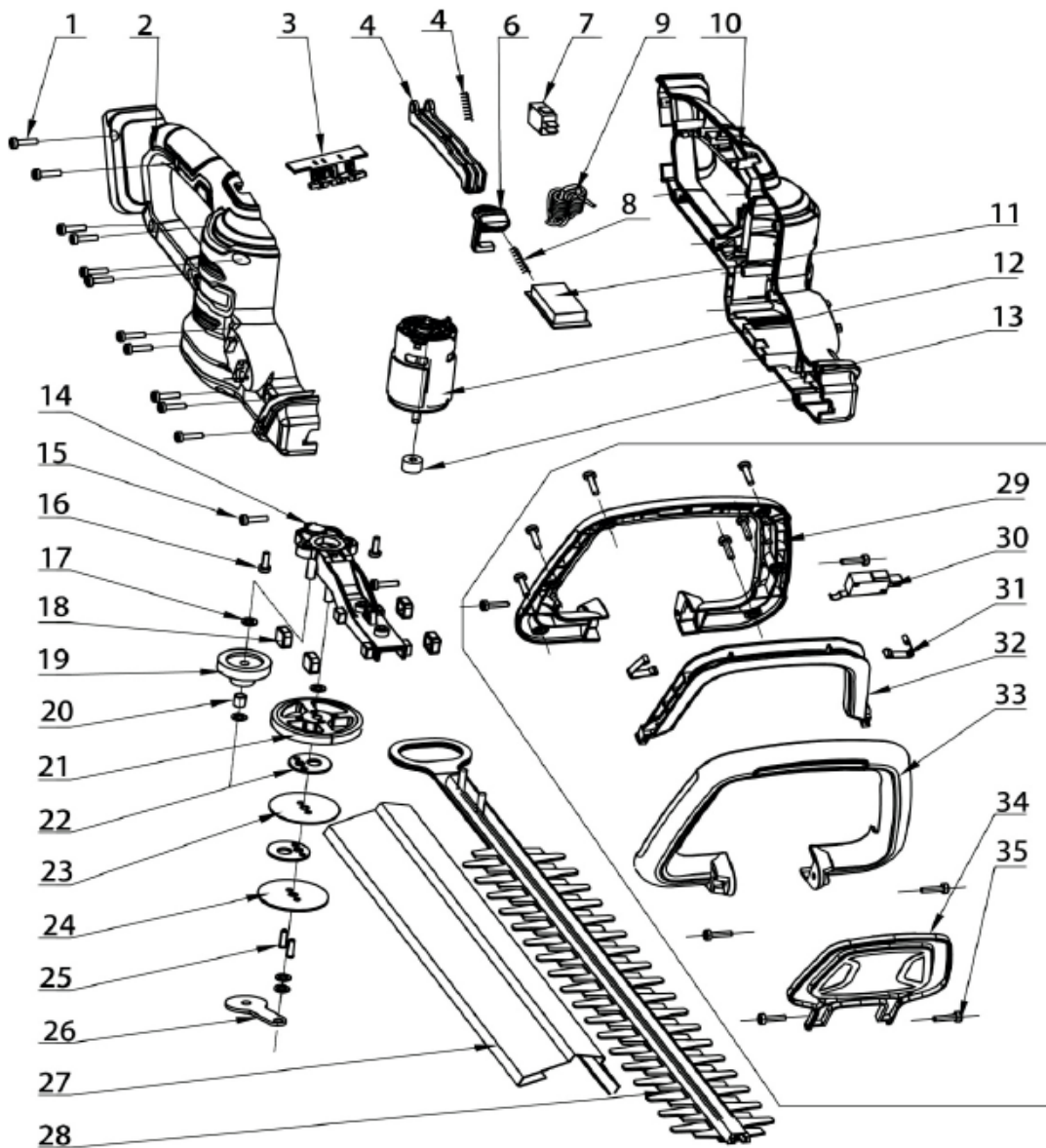
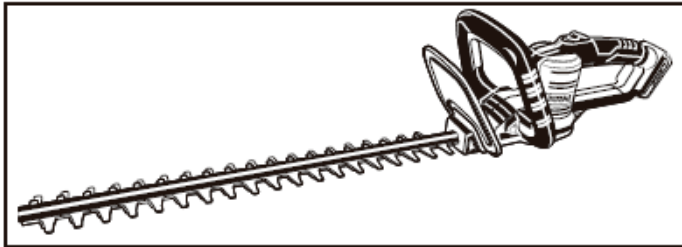
Note: If you are not sure about the necessary maintenance, how to perform it or to carry out other repairs not described in this manual, have it carried out by an official Total dealer.

Environment



- Do not dispose of electrical appliances as unsorted municipal waste, use separate collection facilities.
- Contact your local authority for information on available collection systems.
- If electrical appliances are disposed of in landfills, hazardous substances can seep into the groundwater and enter the food chain, harming your health and well-being.
- Recycle raw materials instead of disposing of them as waste.
- The machine, accessories and packaging must be sorted for environmentally friendly recycling.
- Plastic components are labeled for categorized recycling.

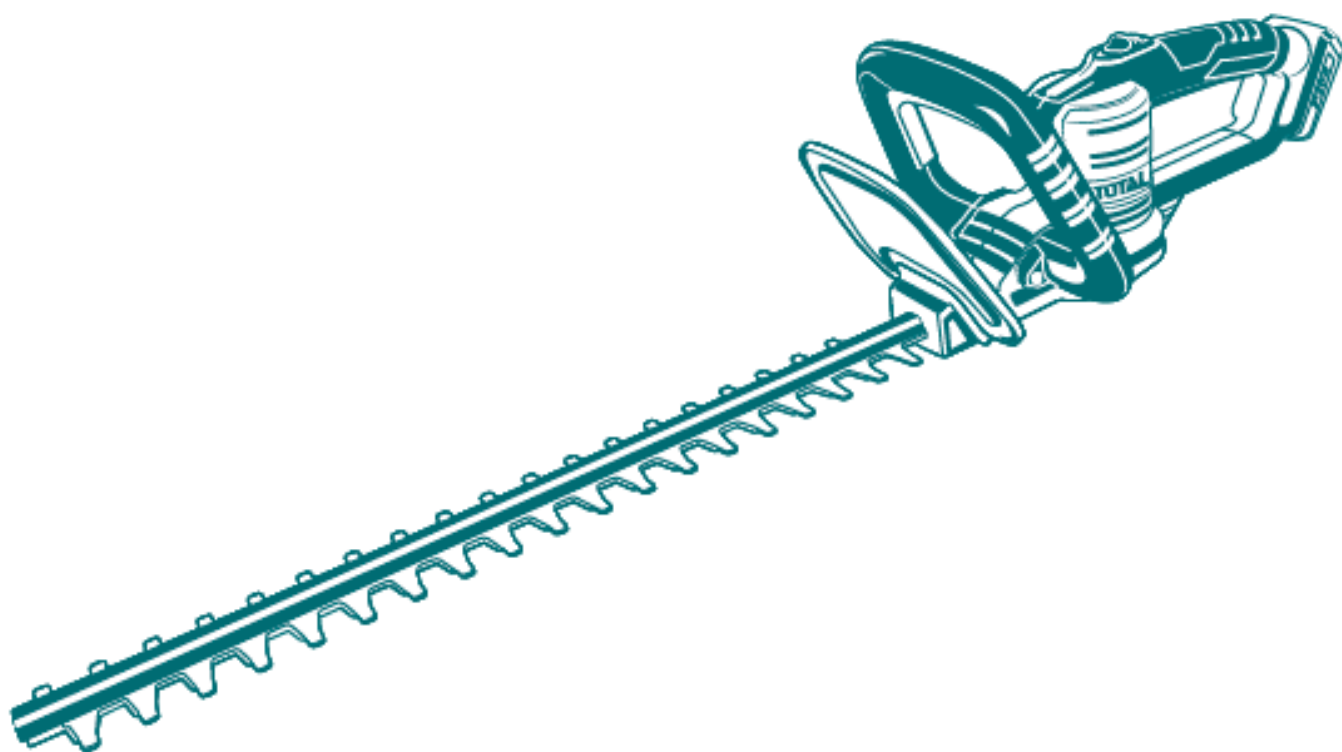
Exploded view



TOTAL

One-Stop Tools Station

TOTAL



BATTERY TRIMMERS

20V