

TOTAL

One-Stop Tools Station

TOTAL

DEMOLITION HAMMER

TH215456

INDUSTRIAL



1700W

Security instructions



Caution

Read all safety warnings and all instructions. Failure to follow all warnings and instructions can result in electric shock, fire, and / or serious injury.

The term “power tool” in the warnings refers to your mains-operated (corded) power tool or battery-operated (cordless) power tool.

Note: Save all warnings and instructions for future reference.

1) Work area safety

- a. Keep the work area clean and well lit to avoid accidents.
- b. Do not use power tools in explosive atmospheres, such as in the presence of flammable liquids, gases, or dust that can cause fires.
- c. Keep children and other unauthorized persons away while using a power tool. Distractions can cause you to lose control of the tool.

2) Electrical safety

- a. Power tool plugs must match the outlet. Never modify the plug in any way. Using a proper plug reduces the risk of electric shock.
- b. Avoid body contact with grounded surfaces such as pipes, radiators, ranges, and refrigerators. There is an increased risk of electric shock if your body is grounded.
- c. Do not expose power tools to rain or wet conditions. Water entering a power tool will increase the risk of electric shock.
- d. Never use the cord to carry, pull, or unplug the power tool. Keep the cord away from heat or oil.
- e. When using a power tool outdoors, use an extension cord suitable for outdoor use.
- f. If it is unavoidable to use the tool in a humid location, use a residual current device (RCD) protected supply to reduce the risk of electric shock.

3) Personal security

- a. Always be alert, watch what you are doing, and use common sense when operating the tool.
- b. Do not use a power tool if you are tired or under the influence of drugs or other substances.
- c. Use personal protective equipment. Always wear eye protection. Protective equipment such as a dust mask, non-slip safety shoes, hard hat, or hearing protection used in the right conditions will reduce personal injury. Also, do not wear loose clothing or jewelry.
- d. Avoid accidentally turning the tool on. Make sure the switch is in the off position before connecting it to the power supply and moving it.
- e. Remove any adjusting key or wrench before turning on the power tool. A wrench or wrench attached to a rotating part of the power tool can cause serious injury.
- f. If dust extraction and collection devices are used, make sure they are properly connected. Use these devices properly and you will reduce dust hazards.

4) Use and care of power tools

- a. Do not force the tool. Use the right power tool for each use.
- b. Do not use the power tool if its ignition switch does not work. Any power tool that cannot be controlled with the switch is dangerous and must be repaired.
- c. Disconnect the plug from the power source before making any adjustments, changing accessories, or storing the tool to avoid accidental starting.
- d. Use the power tool, accessories and drill bits, etc. in accordance with these instructions, taking into account the working conditions and the work to be carried out. Using the power tool for operations other than those intended could result in a dangerous situation.
- e. Store power tools out of the reach of children and do not allow anyone unfamiliar with the tool to use it.
- f. Carry out regular maintenance on power tools. Check for misalignment or binding of moving parts, broken parts, and any other conditions that may affect the operation of power tools. If damaged, have power tool repaired before use. Many accidents are caused by poorly maintained power tools.
- g. Keep accessories clean and sharp, as with proper maintenance they are less likely to get stuck and are easier to control.

5) Service

- a. Have your power tool repaired by a qualified person and use replacement parts recommended by the manufacturer. This will ensure that the safety of the power tool is maintained.

Safety rules for correct use



Double insulation for additional protection



Read the instruction manual before use.



CE conformity.



Wear safety glasses, hearing protection and a dust mask.



Waste electrical products must not be disposed of with household waste. Please recycle at the appropriate facilities. Check with your local authority or retailer for recycling advice.



Security alert. Use only accessories approved by the manufacturer.



Indicates danger of electric shock.



Immediately unplug the plug from the mains in case the cord is damaged and during maintenance.

Additional safety warnings

- Wear ear protectors. Exposure to noise can cause hearing loss.
- Use auxiliary handles, if supplied with the tool. Loss of control can cause personal injury.
- Hold the power tool by the insulated gripping surfaces when performing an operation where the cutting attachment may contact hidden wires or its own cord.
- Cutting attachment coming into contact with a live cord could cause an electric shock to the operator.
- Always route the cable to the rear, away from the machine.
- Do not carry the machine by the cable.
- When working with the machine, always hold it firmly with both hands and stand firm.
- During breaks in work or when you are not using the tool (eg changing work tools, repairs, cleaning, adjusting), disconnect the tool from the power supply.
- Unqualified persons cannot use this tool.
- Keep tool accessories out of the reach of children.
- Use only original accessories recommended by the manufacturer.

Other risks

Even when the power tool is used as prescribed, it is not possible to eliminate all residual risk factors:

- a. Health defects resulting from the emission of vibrations if the power tool is used for a longer period of time or if it is not properly managed and maintained.
- b. Injury and property damage from broken accessories suddenly breaking.



Caution

This power tool produces an electromagnetic field during operation. This field can, in some circumstances, interfere with active or passive medical implants.

To reduce the risk of serious injury, we recommend that individuals with medical implants consult their physician before using this power tool.



If the cord is damaged or cut during work, do not touch the cord, immediately unplug the tool. Never use the machine with a damaged cord.

The machine must not be damp and must not be used in a humid environment.



Attention

Safe working with this machine is only possible when the operating or safety information is fully read and the instructions contained therein are strictly followed.



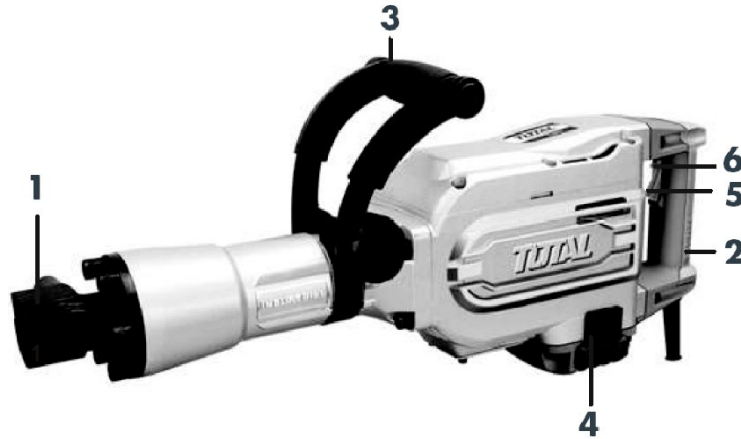
Technical data

Technical data	
Voltage	220-240V
Frequency	50 / 60Hz
Power	1700W
Impact frequency	1400 / min
Energy	45J
Protection class	□ / II
Clamping system	HEX
Weight	16kg

Product description

1. Tool holder
2. Grip handle
3. Auxiliary handle
4. Brushes

5. Switch
6. Lock button



Note: The power tool is designed for hammering, demolishing concrete, brick and stone.

Note 2: Not all accessories illustrated or described have to be included in the standard delivery.

Set up

Before using

Be careful of hidden cables, gas and water pipes. Please check the work area first. For example, use a metal detector. Use the proper voltage. The voltage must agree with what the characteristic plate of the product says.

Power source

Make sure the power source to be used meets the power requirements specified on the hammer nameplate.

Ignition switch

Make sure the power switch is in the off / off position. If the plug is connected to the and the switch is in the ON position, the demolition hammer will start working immediately, which may cause a serious accident.

Extension cord

When the work area is far from the power source where the tool is connected, use an extension cord of sufficient thickness and capacity. The extension cord should be kept as short as possible.

Mounting

Installation and removal of accessories



Caution

When installing and removing accessories, make sure the tool is turned off, and the cord should not be plugged in. Remove the bolt (1) and turn it to make the flange face the direction of the motor housing.

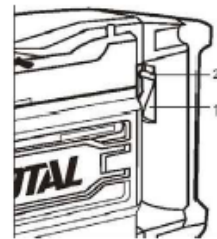
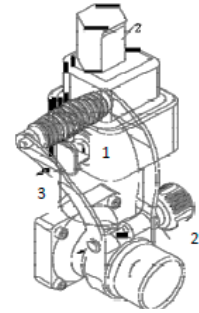
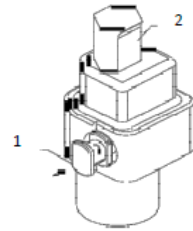
Insert the accessory into the tool holder through the dust guard, while turning and pressing in until it automatically locks.

Auxiliary handle

The tool must be compatible with the auxiliary handle (1), which can rotate 360°. To reposition and / or rotate the handle, release the grip or handle (2), move the handle to the desired position along the barrel (3) and adjust the grip or grip handle.

switch

If you want to operate the tool, you just need to press the switch (1). If you want to stop the tool from working, you can press the lock button (2). If you want to stop the tool, press the switch again and release it.



Caution

1. Make sure the switch is off when you plug in the tool.
2. Do not use adhesive tape to fix the switch in the off state.



Set up

For demolition:

- Hold the tool firmly with both hands and press the switch.
- When working, hold the tool to prevent kickback and out of control.
- Don't grip too hard, because it won't do the job properly.

Caution

Oil may leak between the drill and the cylinder case while you work with the tool.



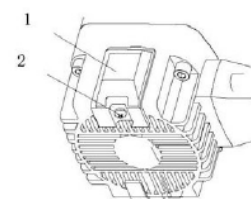
Maintenance

Maintenance and cleaning

Before doing any work on the power tool itself, unplug the power cord.

For safe and proper operation, always keep both the power tool and the ventilation slots clean.

After removing the screw (2) of the brush cover with a screwdriver, take out the brush cover, and then remove the brush in use. Put on the new brush and cover, then fasten the cap.

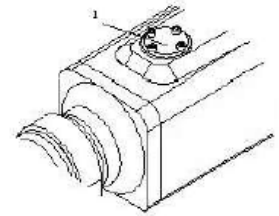


To ensure the safety and credibility of the tool, all brush repairs, checks and replacement, or any maintenance should be done by a professional power tool maintenance professional.

Tool lubrication

When the tool has been used for more than 60 hours, it must be lubricated:

- Open the oil cover (1) with the hex wrench provided
- Then wipe off the used lubricant with a towel.
- Lastly, put the lubricating oil on the tool.
- Note: Add 50g of oil, the oil grade SAE20W / 50.



Caution

If the tool is not used for a long period of time or is used under cold weather conditions, please press the switch continuously to turn on. Before using it normally, please let the tool run for 3-5 minutes.

Environment

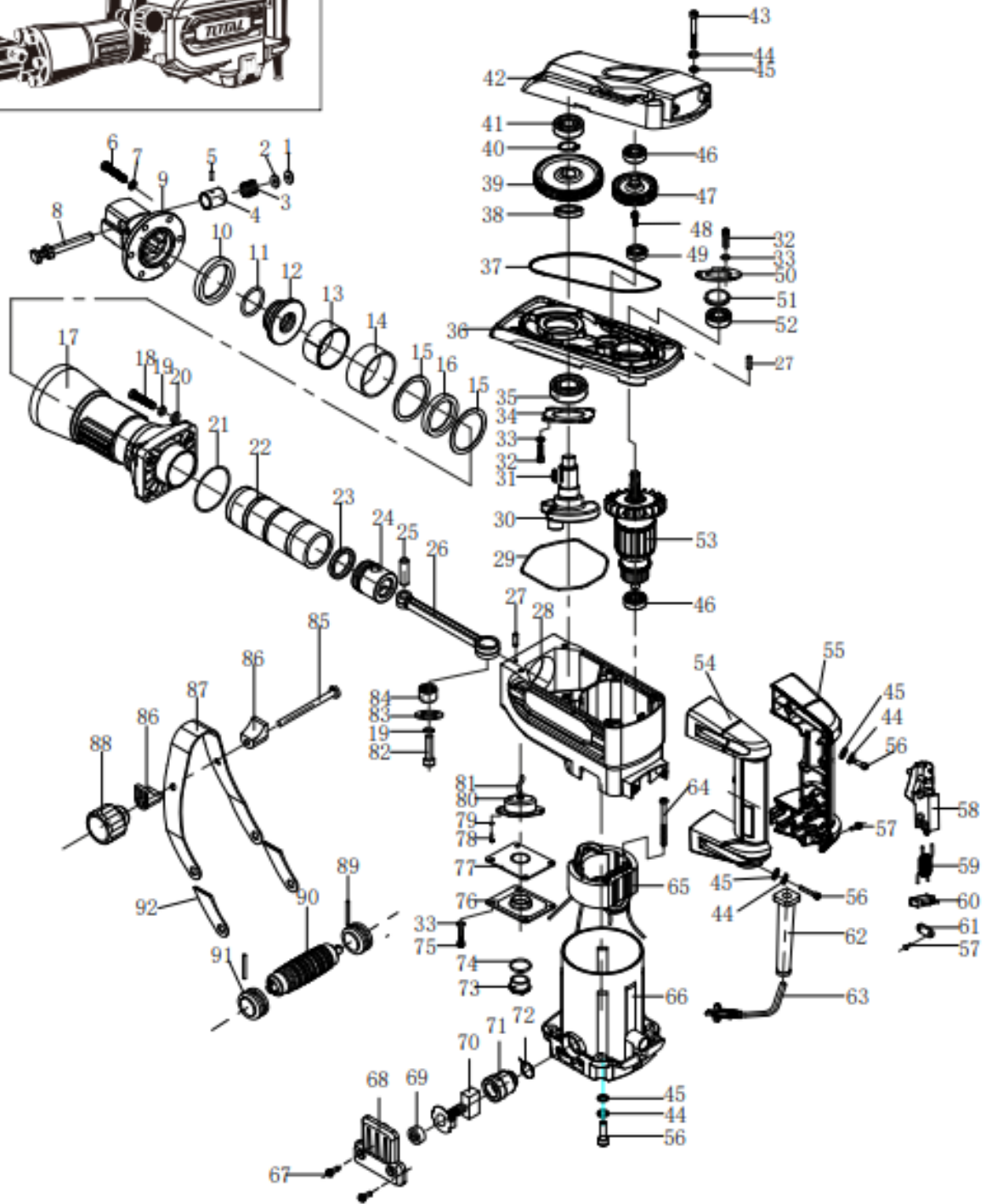
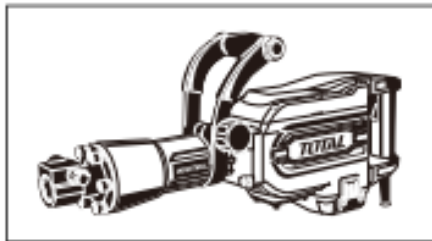


- Do not dispose of electrical appliances as unsorted municipal waste, use separate collection facilities.
- Contact your local authority for information on available collection systems.
- If electrical appliances are disposed of in landfills, hazardous substances can seep into groundwater and enter the food chain, damaging your health and well-being.
- Recycle raw materials instead of disposing of them as waste.
- The machine, accessories and packaging must be classified for environmentally friendly recycling.
- Plastic components are labeled for categorized recycling.

Exploded view



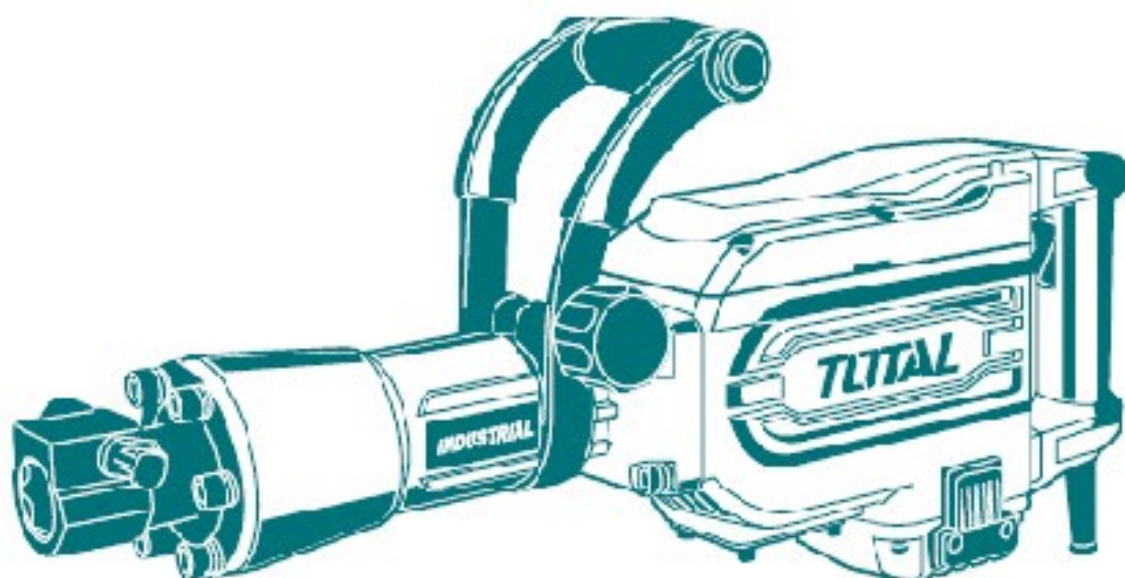
TH215456



TOTAL

One-Stop Tools Station

TOTAL



DEMOLITION HAMMER

1700W