

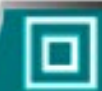
TOTAL

One-Stop Tools Station

TOTAL

DEMOLITION HAMMER

TH215002



CE



1500W

Safety instructions



Caution

Read all safety warnings and all instructions. Failure to follow all warnings and instructions can result in electric shock, fire and / or serious injury.

The term "power tool" in the warnings refers to the mains operated (corded) power tool or cordless (cordless) power tool.

Note: Save all warnings and instructions for future reference.

1) Work area safety

- a. Keep the work area clean and well lit to avoid accidents.
- b. Do not use power tools in explosive atmospheres, such as in the presence of flammable liquids, gases, or dusts that can cause fires.
- c. Keep children and other unauthorized persons away when using a power tool. Distractions can cause you to lose control of the instrument.

2) electrical safety

- a. The plugs on the power tool must match the socket. Never modify the plug in any way. Using a suitable plug reduces the risk of electric shock.
- b. Avoid body contact with grounded surfaces such as pipes, radiators, ranges and refrigerators. There is a greater risk of electric shock if your body is grounded.
- c. Do not expose power tools to rain or moisture. Getting water into a power tool will increase the risk of electric shock.
- d. Never use the cord to carry, pull or disconnect the power tool. Keep the cord away from sources of heat or oil.
- e. When using a power tool outdoors, use an extension cord suitable for outdoor use.
- f. If using the tool in a humid location is unavoidable, use a power supply protected by a residual current device (RCD) to reduce the risk of electric shock.

3) Personal safety

- a. Always be careful, observe what you are doing and use common sense when using the tool.
- b. Do not use a power tool if you are tired or under the influence of drugs or other substances.
- c. Wear personal protective equipment. Always wear eye protection. Protective equipment such as a dust mask, non-slip safety shoes, hard hat or hearing protection used in proper conditions will reduce personal injury. Also, don't wear loose clothing or jewelry.
- d. Prevent unintentional turning on of the instrument. Make sure the switch is in the off position before plugging it into the power source and moving.
- e. Remove any adjustment wrenches or spanners before turning on the power tool. An adjustable wrench or spanner placed in a rotating part of the power tool can cause serious injury.
- f. If you use dust extraction and collection devices, make sure they are properly connected. Use these devices correctly and you will reduce the risks associated with dust.

4) Use and care of power tools

- a. Do not force the tool. Use the correct power tool for each use.
- b. Do not use the power tool if its power switch does not work. Any power tool that cannot be controlled with the switch is dangerous and must be repaired.
- c. Disconnect the plug from the power socket before making any adjustments, changing accessories or storing the tool to prevent accidental starting.
- d. Use the power tool, accessories, bits, etc. according to these instructions, taking into account the working conditions and the work to be performed. Using the power tool for operations other than those intended could create a dangerous situation.
- e. Keep power tools out of the reach of children and do not allow anyone unfamiliar with the tool to use it.
- f. Perform regular maintenance of power tools. Check for misalignments or jams in moving parts, broken parts, and any other conditions that may affect the operation of power tools. If it is damaged, have the power tool repaired before using it. Many accidents are caused by poorly maintained power tools.
- g. Keep accessories clean and sharp, as with proper maintenance they are less likely to bind and are easier to control.

5) Service

- a. Have your power tool repaired by a qualified person and use spare parts recommended by the manufacturer. This will ensure that the safety of the power tool is maintained.

Norme di sicurezza per un uso corretto



Double insulation for added protection



Please read the instruction manual before use.



CE conformity.



Wear safety glasses, hearing protection, and a dust mask.



Waste electrical products must not be disposed of with household waste. Please recycle at appropriate facilities. Check with your local authority or dealer for recycling advice.



Security alarm. Use only accessories supported by the manufacturer.



Indicates the danger of electric shock.



Disconnect the power plug immediately if the cable is damaged and during maintenance.



Wear ear and eye protection.

Additional safety warnings

- Wear ear protection. Exposure to noise can cause hearing loss.
- Use auxiliary handles, if supplied with the tool. Loss of control can cause personal injury.
- Hold the power tool by the insulated gripping surfaces when performing an operation where the cutting accessory may come into contact with hidden cables or your own cable.
- The cutting attachment coming into contact with a live cable could cause an electric shock to the operator.
- Always route the cable backwards, away from the machine.
- Do not carry the machine by holding it by the cable.
- When working with the machine, always hold it firmly with both hands and remain firm.

- During breaks in work or when the tool is not in use (e.g. changing tools, repairs, cleaning, adjusting), disconnect the tool from the mains.
- Unqualified people cannot use this tool.
- Keep tool accessories out of the reach of children.
- Use only original accessories recommended by the manufacturer.

Other risks

Even using the power tool as prescribed, it is not possible to eliminate all residual risk factors:

- Sanitary defects resulting from the emission of vibrations if the power tool is used for a longer period of time or if it is not handled and maintained properly.
- Injury and material damage due to broken fixtures that suddenly break.



Caution

This power tool produces an electromagnetic field during operation. This field can, in some circumstances, interfere with active or passive medical implants.

To reduce the risk of serious injury, people with medical implants are advised to consult their physician before using this power tool.

If the cable is damaged or cut during work, do not touch the cable, unplug the tool immediately. Never use the machine with a damaged cable.

The machine must not be humid and must not be used in a humid environment.



Caution

Safe operation of this machine is only possible when the operational or safety information has been completely read and the instructions contained therein have been strictly followed.

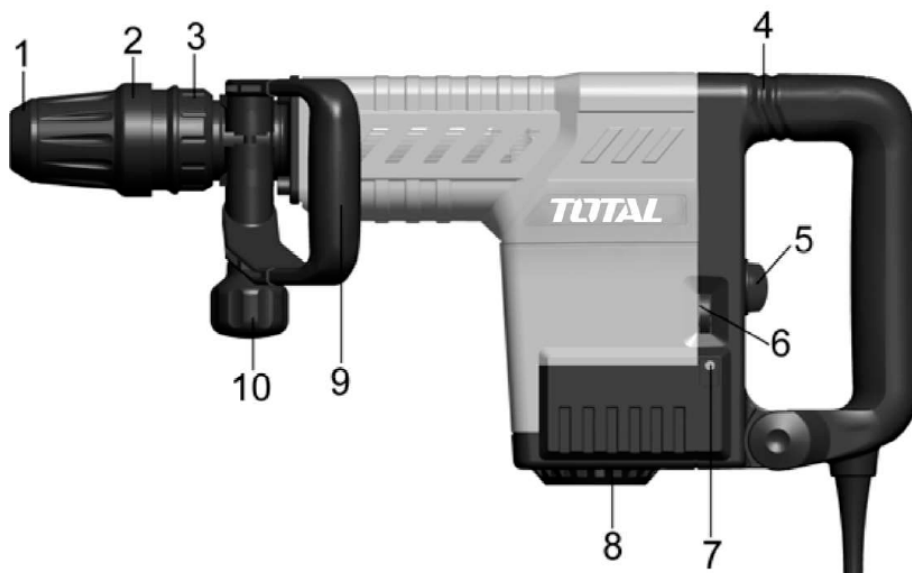


Technical data

Technical data sheet of the demolition hammer	
Voltage	220-240 V ~
Frequency	50 / 60Hz
Power	1500 W
Impact frequency	1000-1900 / min
Power	6-25J
Positions of the chisel	12
Chiselling ability in medium hard concrete	490 kg / hour
Weight	11 kg
Includes	10mm hex wrench Screwdriver fat tube Pointed chisel 18 × 350 mm Flat chisel 18 × 350 mm Brush set 6.5 × 17 × 26 mm

Product description

1. Bit protection
2. Protective shell
3. Tighten the drill
4. Anti-vibration handle
5. Direction selector
6. Speed selector
7. Indicator
8. Fan cover
9. Side auxiliary handle
10. Tighten the auxiliary handle



Note: The power tool is designed for chiselling concrete, brick, masonry and asphalt, as well as driving and compaction, when using the respective accessories.

Note 2: Not all accessories shown or described need to be included in the standard supply.

Setting up

Before using

Source of power

Make sure the power source to be used meets the power requirements specified on the hammer nameplate.

Power switch

Make sure the power switch is in the OFF position. If the plug is connected and the switch is in the ON position, the demolition hammer will start working immediately, causing serious accidents.

Extension cord

When the work area is far from the power source to which the instrument is connected, use an extension cord of sufficient thickness and capacity. The extension cable should be kept as short as possible.

Assembly

Auxiliary handle

- Only use your power tool with the original side assist handle. The side auxiliary handle can be positioned in any position to achieve a comfortable, safe and fatigue-free working posture.
- Loosen the pinch roller on the auxiliary handle, rotate the side auxiliary handle around the power tool shaft to the desired position and tighten the pinch roller again.
- The side auxiliary handle can be mounted in a different position. Because of this:
 - Completely unscrew the auxiliary handle clamp, then pull up the hex bolt.
 - Pull the side assist handle to the side and rotate the remaining fastener 180°.
 - Assemble the auxiliary handle in reverse order.

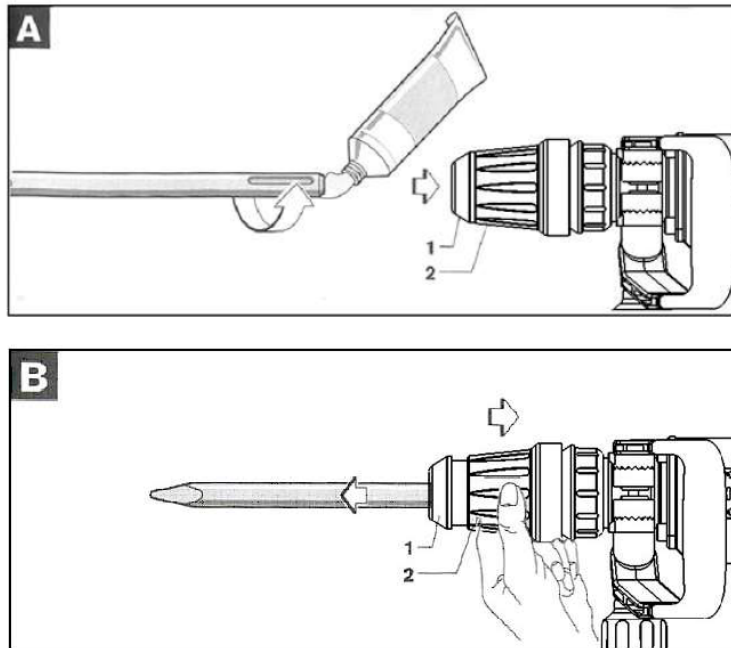
Bit change

Before carrying out any work on the power tool itself, disconnect the power cord.

With the spindle of the demolition hammer it is possible to change the drill bits easily and without additional aids.

The drill guard greatly prevents drilling dust from entering the chuck during operation. When inserting the tip, take care that the guard is not damaged. If not, it should be changed immediately before using the tool.

- Insert (see figure A)
 - Clean and lightly oil the tip shank end.
 - Insert the tip by turning it into the chuck until it clicks into place.
- Extraction (see figure B)
 - Push back the protective cover and remove the tip.



Setting up

Verify that the mains voltage is correct. The power supply voltage must match the voltage specified on the rating plate of the power tool.

- To turn on the power tool, press the switch in the direction of the arrow "I".
- To turn off the power tool, press the switch in the direction of the arrow "0".
- The power tool reaches maximum impact speed after a certain time to ensure the correct temperature of the power tool.
- This start-up time can be shortened by lightly tapping the chisel of the power tool on the ground once.



Impact speed adjustment

The electronic control allows a continuous preselection of the speed according to the material on which to work. The constant electronic control keeps the preselected impact speed almost constant between loading and unloading conditions.

Select the impact speed with the speed adjustment function knob 10 according to the material.

The data in the following table are recommended values.

Impact speed adjustment switch	Impact rate (min-1)
1	1000
2	1200
3	1350
4	1550
5	1750
6	1900

Change of chiseling position

The chisel can be locked in 12 positions. In this way it is possible to determine the optimal working position for each application.

- Insert the chisel into the chuck.
- Push the bit clamp forward and rotate the chisel to the required position with the bit clamp.
- Release the bit clamp and turn the chisel until it engages.

Shock absorbing equipment 4

The demolition hammer is equipped with an active vibration reduction system. This can significantly reduce the level of exposure during the entire work period. Likewise, the operator must be protected from the effects of vibrations.

Maintenance

Maintenance and cleaning

Before carrying out any work on the power tool itself, disconnect the power cord.

For safe and correct operation, always keep the power tool and ventilation slots clean.

A damaged tip protector must be replaced immediately. It is recommended to have it performed by a specialized person.

Inspection of the drill

Using a boring accessory such as a bit or cutter will cause the motor to malfunction and reduce efficiency. Replace it with a new one if necessary.

Revision of the external parts

Regularly check that all external parts of the instrument are not damaged. Do not use the tool if the parts are damaged. If necessary, your power tool must be repaired at a TOTAL authorized service center.

Inspection of the mounting screw

Periodically inspect all mounting screws and make sure they are tight. Any loose parts must be tightened immediately; Failure to observe this precaution can cause serious danger.

Indicator

When the carbon brushes are worn, the power tool turns off. This is indicated in advance by the indicator on the side of the tool (part number 7) lit or flashing.

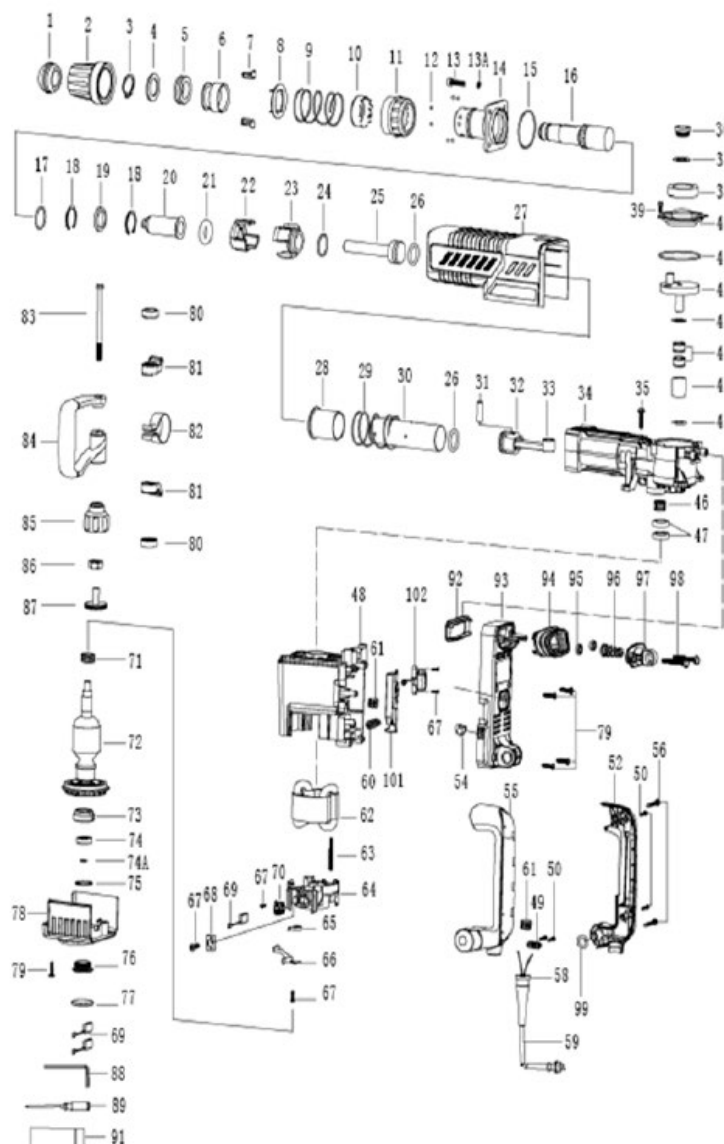
In this case, the power tool must be sent to an after-sales service agent. If the power tool fails despite the attention paid to the manufacturing and testing procedures, the repair must be done by a TOTAL Power Tool after-sales service center.

Environment



- Do not dispose of electrical appliances as unsorted municipal waste, use separate waste collection facilities.
- Contact your local authority for information on available collection systems.
- If electrical appliances are disposed of in landfills, hazardous substances can infiltrate groundwater and enter the food chain, damaging health and well-being.
- Recycle raw materials instead of disposing of them as waste.
- The machine, accessories and packaging must be selected for ecological recycling.
- Plastic components are labeled for classified recycling.

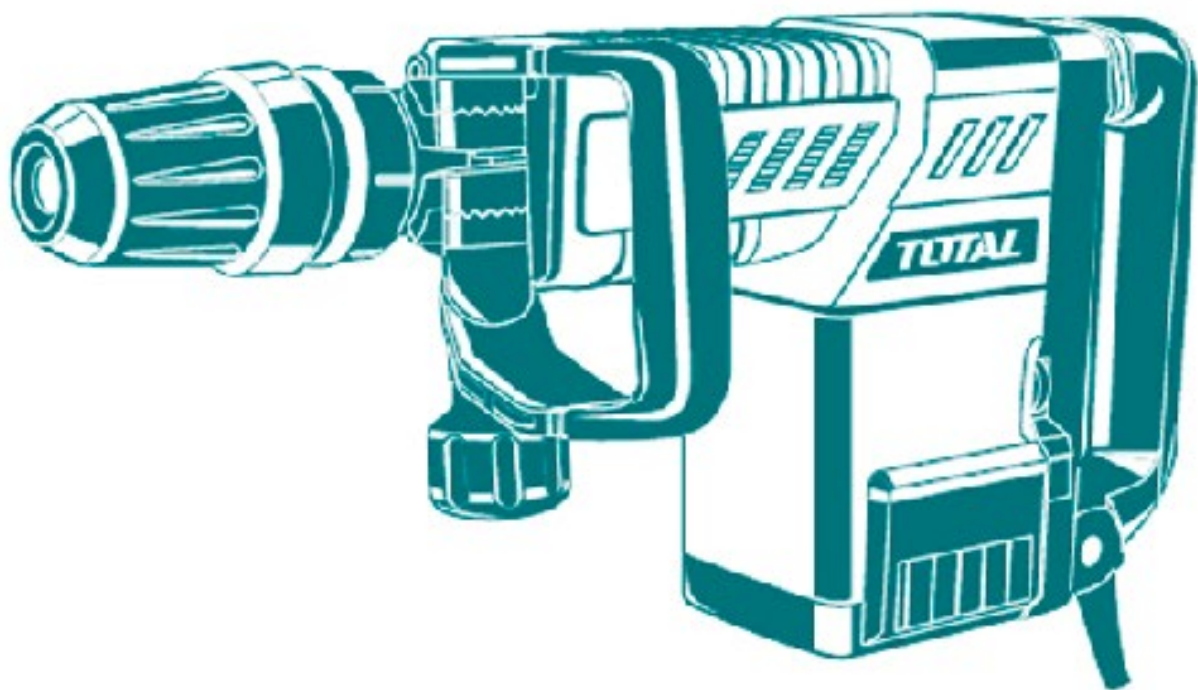
Exploded view



TOTAL

One-Stop Tools Station

TOTAL



DEMOLITION HAMMER

1500W