

TOTAL

One-Stop Tools Station

TOTAL

ROTARY HAMMER

TH110286

INDUSTRIAL



1050W

Security instructions



Caution

Read all safety warnings and all instructions. Failure to follow warnings and instructions can cause electric shock, fire, and / or serious injury.

Note: Save all warnings and instructions for future reference.

1) Work area safety

- a. Keep the work area clean and well lit to avoid accidents.
- b. Do not use power tools in explosive atmospheres, such as in the presence of flammable liquids, gases, or dust that can cause fires.
- c. Keep children and other unauthorized persons away while using a power tool. Distractions can cause you to lose control of the tool.

2) Electrical safety

- a. Power tool plugs must match the outlet. Never modify the plug in any way. Using a proper plug reduces the risk of electric shock.
- b. Avoid body contact with grounded surfaces such as pipes, radiators, ranges, and refrigerators. There is an increased risk of electric shock if your body is grounded.
- c. Do not expose power tools to rain or wet conditions. Water entering a power tool will increase the risk of electric shock.
- d. Never use the cord to carry, pull, or unplug the power tool. Keep the cord away from heat or oil.
- e. When using a power tool outdoors, use an extension cord suitable for outdoor use.
- f. If it is unavoidable to use the tool in a humid location, use a residual current device (RCD) protected supply to reduce the risk of electric shock.

3) Personal security

- a. Always be alert, watch what you are doing, and use common sense when operating the tool.
- b. Do not use a power tool if you are tired or under the influence of drugs or other substances.
- c. Use personal protective equipment. Always wear eye protection. Protective equipment such as a dust mask, non-slip safety shoes, hard hat, or hearing protection used in the right conditions will reduce personal injury. Also, do not wear loose clothing or jewelry.
- d. Avoid accidentally turning the tool on. Make sure the switch is in the off position before connecting it to the power supply and moving it.
- e. Remove any adjusting key or wrench before turning on the power tool. A wrench or wrench attached to a rotating part of the power tool can cause serious injury.
- f. If dust extraction and collection devices are used, make sure they are properly connected. Use these devices properly and you will reduce dust hazards.

4) Use and care of power tools

- a. Do not force the tool. Use the right power tool for each use.

- b. Do not use the power tool if its ignition switch does not work. Any power tool that cannot be controlled with the switch is dangerous and must be repaired.
- c. Disconnect the plug from the power source before making any adjustments, changing accessories, or storing the tool to avoid accidentally starting the tool.
- d. Use the power tool, accessories and drill bits, etc. in accordance with these instructions, taking into account the working conditions and the work to be carried out. Using the power tool for operations other than those intended could result in a dangerous situation.
- e. Store power tools out of the reach of children and do not allow anyone unfamiliar with the tool to use it.
- f. Maintain power tools. Check for misalignment or binding of moving parts, broken parts, and any other conditions that may affect the operation of power tools. If damaged, have power tool repaired before use. Many accidents are caused by poorly maintained power tools.
- g. Keep cutting tools sharp and clean. Properly maintained cutting tools with sharp cutting edges are less likely to jam and are easier to control.

5) Service

- a. Have your power tool repaired by a qualified person and use replacement parts recommended by the manufacturer. This will ensure that the safety of the power tool is maintained.

Safety rules for correct use



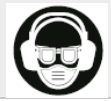
Double insulation for additional protection



Read the instruction manual before use.



CE conformity.



Wear safety glasses, hearing protection and a dust mask.



Waste electrical products must not be disposed of with household waste. Please recycle at the appropriate facilities. Check with your local authority or retailer for recycling advice.



Security alert. Use only accessories approved by the manufacturer.

Additional safety warnings

- Wear ear protectors. Exposure to noise can cause hearing loss.
- Use auxiliary handles, if supplied with the tool. Loss of control can cause personal injury.
- Hold the power tool by the insulated gripping surfaces when performing an operation where the cutting attachment may contact hidden wires or its own cord.
- Cutting attachment coming into contact with a live cord could cause an electric shock to the operator.
- Always route the cable to the rear, away from the machine.
- Do not carry the machine by the cable.
- When working with the machine, always hold it firmly with both hands and stand firm.
- During breaks in work or when you are not using the tool (eg changing work tools, repairs, cleaning, adjusting), disconnect the tool from the power supply.
- Unqualified persons cannot use this tool.
- Keep tool accessories out of the reach of children.
- Use only original accessories recommended by the manufacturer.

Other risks

Even when the power tool is used as prescribed, it is not possible to eliminate all residual risk factors:

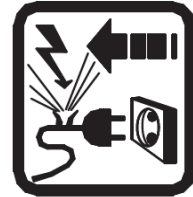
- a. Health defects resulting from the emission of vibrations if the power tool is used for a longer period of time or if it is not properly managed and maintained.
- b. Injury and property damage from broken accessories suddenly breaking.



Caution

This power tool produces an electromagnetic field during operation. This field can, in some circumstances, interfere with active or passive medical implants.

To reduce the risk of serious injury, we recommend that individuals with medical implants consult their physician before using this power tool.



If the cord is damaged or cut during work, do not touch the cord, immediately unplug the tool. Never use the machine with a damaged cord.

The machine must not be damp and must not be used in a humid environment.



Attention

Safe working with this machine is only possible when the operating or safety information is fully read and the instructions contained therein are strictly followed.

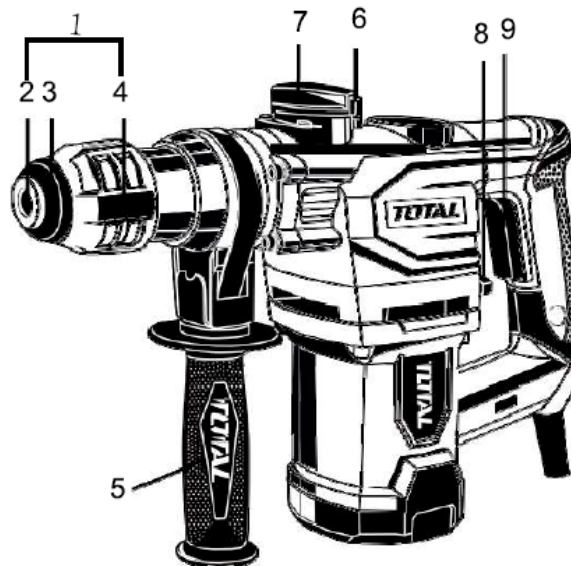


Technical data

Data sheet	
Power	1050W
Voltage	220-240V
Frequency	50 / 60Hz
No-load speed	900 / min
Impact rate	4000 / min
Cement drilling capacity	28mm
Steel drilling capacity	13mm
Wood drilling capacity	40mm

Product description

1. Replacement chuck
2. Chuck
3. Protective dust cap
4. Locking handle
5. Auxiliary handle
6. Unlock button
7. Mode selection switch 1
8. Mode select switch 2
9. ON / OFF switch



Note: The machine is designed for drilling in concrete, brick and stone. It is equally suitable for drilling in wood, metal, ceramic and plastic.

Note 2: Not all accessories illustrated or described do not have to be included in the standard delivery.

Set up

Before using



Be careful of hidden power lines or gas and water pipes. Check the work area with devices such as metal detectors.

Always use the correct supply voltage. The voltage of the power supply must match the value indicated on the nameplate of the machine.

Bit change

Take care that the dust cap is not damaged when changing bits.

Insert drill bits

- Clean and lightly the tool before inserting them.
- Insert the dust-free bit into the chuck by turning until it clicks.
- The bit locks itself. Check the lock by pulling it.

Take out bits

Pull the locking sleeve back and hold it while removing the bit. Use only drill bits that fit the screw heads.

Set up

- Power on: press the ON / OFF switch
- Power off: release the ON / OFF switch

Work instructions

Stop due to overload in drilling

If the bit binds or snags, the rotation of the bit is interrupted. Due to the forces that occur, you should always hold the machine with both hands and adopt a safe posture. The machine should only be used with an auxiliary handle.

Auxiliary handle



You can obtain a safe position when working with the tool rotated by holding the auxiliary knob. Loosen and turn the handle attachment counterclockwise.

To tighten the auxiliary handle:

- Loosen the thumb screw on the auxiliary handle
- Adjust the drilling depth on the depth stop.
- Retighten the thumb screw.

Operating modes



Hammer drilling mode

Rotate the mode selector (8) to  and turn the switch (7) to 





Note: When changing operating modes, turn ON / OFF switch slightly.

Chisel mode

Turn the mode selector switch (8) to  and then turn the switch (7) to direction 



Drill mode

Turn the mode selector switch (8) to  and then turn the switch (7) to direction 



Maintenance

Before doing any maintenance and cleaning work on the machine, disconnect the cable from the socket.

Sharpening the chiselling tools

With sharp insert tools, good working performance and long service life are achieved.

Therefore, sharpen the chisel regularly. Sharpen the tool on a grinding wheel (eg alumina oxide) with constant water supply.

For safe operation

- Always keep the machine and the ventilation slots clean.
- Clean the tool holder daily.

Replacement of the dust cap

Damaged dust caps should be replaced as dust seeping into the chuck can cause tool errors.

- Pull back and hold the locking sleeve.
- Remove the dust cap with a suitable tool.
- With the locking sleeve removed, pull the new cap until it seats firmly on the tool holder and the locking sleeve can slide forward again.

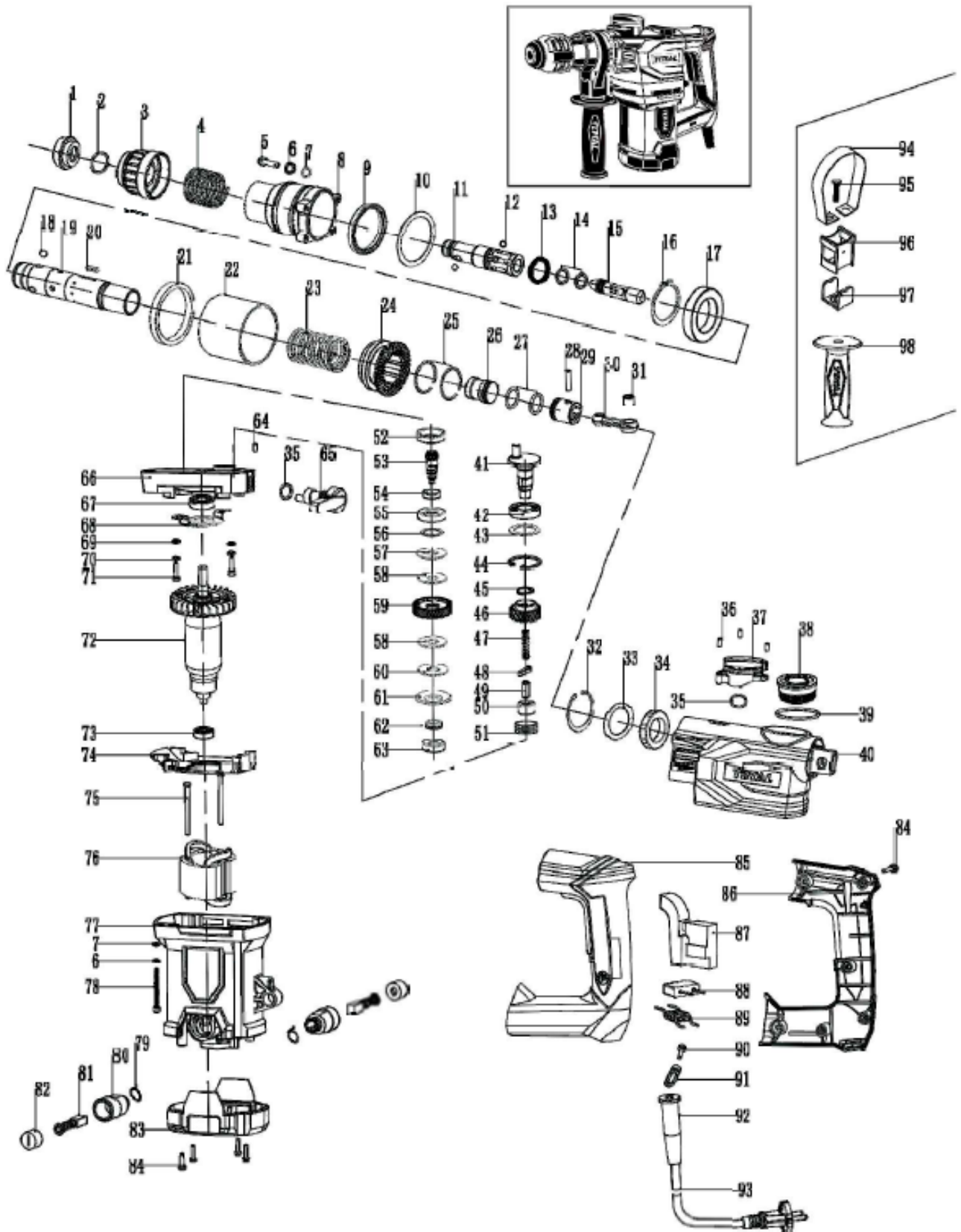
If the machine should fail despite the care taken in manufacturing and testing, contact your official TOTAL brand dealer.

Environment



- Do not dispose of electrical appliances as unsorted municipal waste, use separate collection facilities.
- Contact your local authority for information on available collection systems.
- If electrical appliances are disposed of in landfills, hazardous substances can seep into groundwater and enter the food chain, damaging your health and well-being.
- Recycle raw materials instead of disposing of them as waste.
- The machine, accessories and packaging must be classified for environmentally friendly recycling.
- Plastic components are labeled for categorized recycling.

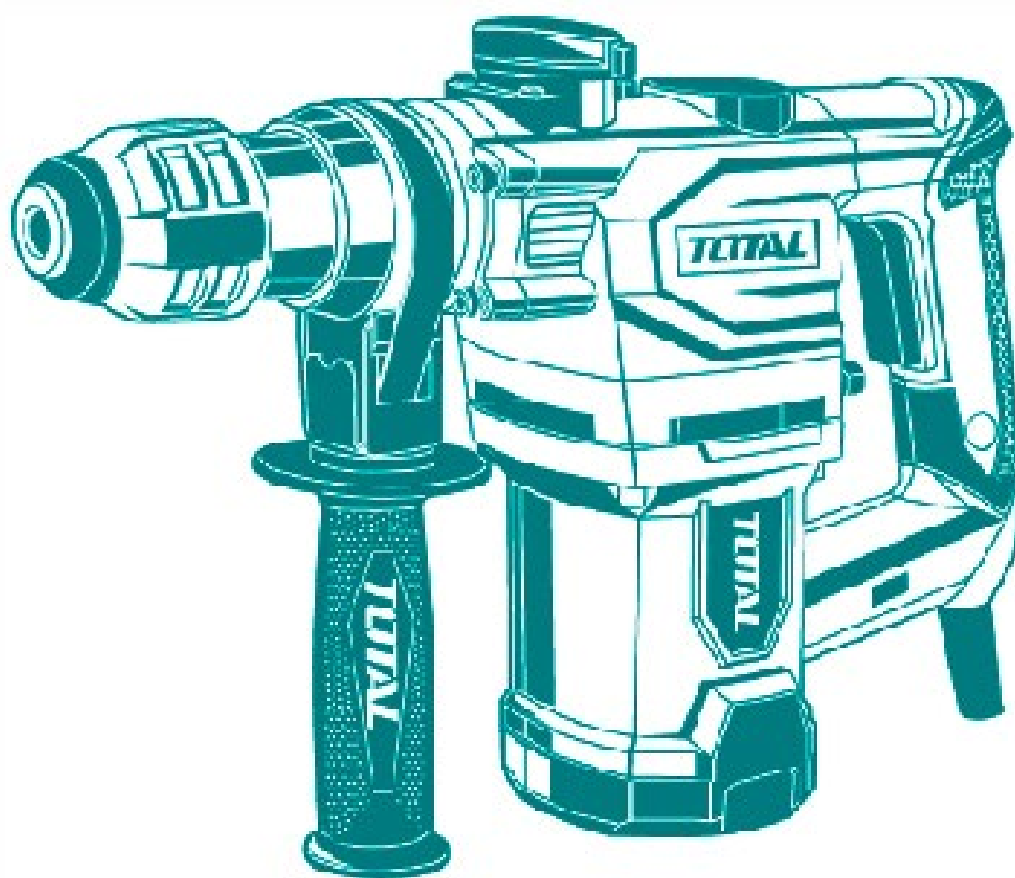
Exploded view



TOTAL

One-Stop Tools Station

TOTAL



ROTARY HAMMER

1050W