

TOTAL

One-Stop Tools Station

TOTAL

BATTERY TRIMMER

TGTLI20301



20V

Safety instructions



Warning

Read all safety warnings and all instructions. Failure to follow the warnings and instructions can result in battery discharge, fire and / or serious injury.

Save all warnings and instructions for future reference.

Note: The term "cordless tool" in the warnings refers to your cordless (cordless) tool. Due to our ongoing research, development and innovation program, specifications in this document are subject to change without notice.

1) Work area safety

- a. Keep the work area clean and well lit to avoid accidents.
- b. Do not use cordless tools in explosive atmospheres, such as in the presence of flammable liquids, gases or dust that can cause fires.
- c. Keep children and other unauthorized persons away when using a cordless tool. Distractions can cause you to lose control of the instrument.

2) Electrical safety

- a. The plugs for charging the battery of the P20S tools must correspond to the socket. Never modify the plug in any way. Using a suitable plug reduces the risk of electric shock.
- b. Use only batteries and chargers specified by the manufacturer. The use of other unauthorized devices can create a risk of fire or injury.
- c. Avoid body contact with grounded surfaces such as pipes, radiators, ranges and refrigerators. There is a greater risk of electric shock if your body is grounded.
- d. Do not expose cordless tools to rain or moisture. Entering water into a cordless instrument will increase the risk of electric shock.
- e. The engine should be stopped immediately if the equipment shows any problems or abnormal signals.
- f. Never use the cable to carry, pull or disconnect the charger. Keep the cord away from sources of heat or oil.
- g. If using the tool in a humid place is unavoidable, use a power supply protected by a residual current device (RCD) to reduce the risk of electric shock when charging the battery.

3) Personal safety

- a. Always be careful, observe what you are doing and use common sense when using the tool.
- b. Do not use a cordless tool if you are tired or under the influence of drugs or other substances.
- c. Only use the machine if you are in good physical condition. Carry out all work calmly and carefully. Use common sense and keep in mind that the operator is responsible for any accidents or hazards that occur to other people or their property.
- d. Prevent unintentional turning on of the instrument. Make sure the switch is in the off position before plugging it into the battery or moving.
- e. If you use dust extraction and collection devices, make sure they are properly connected. Use these devices correctly and you will reduce the risks associated with dust.

- f. Do not overdo it. Maintain posture and balance at all times. This allows for better control of the power tool in unexpected situations.

Use of suitable PPE

- Wear personal protective equipment. Always wear eye protection. Protective equipment such as a dust mask, non-slip safety shoes, hard hat or hearing protection used in proper conditions will reduce personal injury. Also, don't wear loose clothing or jewelry.
- To avoid injury to the head, eyes, hands or feet, as well as to protect hearing, the following protective equipment and clothing must be worn while operating the equipment.
- Always wear a helmet where there is a risk of falling objects. The hard hat must be checked at regular intervals for damage and must be replaced. Use only approved protective helmets.
- The helmet visor (or alternatively the goggles) protects the face from flying debris and stones. When operating the equipment, always wear protective goggles or a face shield to avoid eye injury.
- Wear adequate noise protection equipment to avoid hearing problems (headphones, ear plugs, etc.).
- The suit protects against stones and flying debris.
- Special protective gloves are part of the prescribed equipment and must always be worn while the equipment is operating.
- When using the equipment, always wear sturdy shoes with non-slip soles.
- Secure your hair so that it is above shoulder level.

4) Use and care of cordless tools

- a. Do not force the tool. Use the right cordless tool for each use.
- b. Do not use the tool on battery power if its power switch does not work. Any battery operated tool that cannot be controlled with the switch is dangerous and must be repaired.
- c. Disconnect the battery before making any adjustments, changing accessories or storing the tool to prevent accidental starting.
- d. Use the cordless tool, accessories and tips, etc. according to these instructions, taking into account the working conditions and the work to be performed. Using the cordless tool for operations other than its intended purpose could create a dangerous situation.
- e. Keep cordless tools out of the reach of children and do not allow anyone unfamiliar with the tool to use it.
- f. When the battery pack is not in use, keep it away from other metal objects, such as paper clips, coins, keys, nails, screws, or other small metal objects, which can establish a connection from one terminal to another. Shorting the battery terminals can cause burns or fire.
- g. Under abusive conditions, the fluid can be expelled from the battery; avoid contact. In case of accidental contact, rinse with water. If the liquid comes into contact with your eyes, also consult a doctor. The ejected liquid can cause irritation or burns.
- h. Do not throw the battery into fire. The cell can explode.
- i. Do not open or break the battery. Released electrolyte is corrosive and can damage the eyes or skin. It can be toxic if ingested.
- j. Do not short-circuit the battery cartridge.
- k. Perform regular maintenance of cordless tools. Check for misalignments or jams in moving parts, broken parts, and any other conditions that may

affect the operation of cordless tools. If it is damaged, have the cordless tool repaired before using it. Many accidents are caused by poorly maintained battery tools.

- I. Keep accessories clean and sharp, as with proper maintenance they are less likely to bind and are easier to control.

5) Service

- a. Have the cordless tool repaired by a qualified person and use spare parts recommended by the manufacturer. This will ensure that the safety of the battery operated tool is maintained.

Tips for maintaining maximum battery life

- Charge the battery cartridge before it is completely discharged.
- Always stop tool operation and charge the battery cartridge when you notice less tool power.
- Never recharge a fully charged battery cartridge. Overcharging shortens battery life.
- Charge the battery in an ambient temperature between 5 ° C and 40 ° C (41 ° F -104 ° F).
- Allow a warm battery cartridge to cool before charging.

Safety rules for correct use



Read the instruction manual.



Wear eye protection



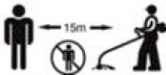
Wear ear protection



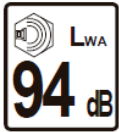
Do not use it in the rain or leave it outdoors while it is raining.



Keep bystanders away



The operator must ensure, during the work, that no people or animals come within 15 m

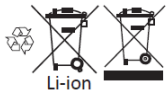


Noise emission into the environment according to the Directive.

The machine emission is specified in the Technical data



Waste electrical products must not be disposed of with household waste. Please recycle at appropriate facilities. Check with your local authority or dealer for recycling advice.



This product must be disposed of in an appropriate recycling facility.



safety transformer



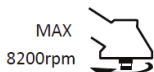
Use and store the charger indoors only.



A.D.



double insulation



max. output shaft speed (rpm)

Additional safety warnings

Do not allow people without experience and knowledge to use the tools, unless they have been supervised or instructed in the use of the device by a person responsible for their safety. Children must not use the tool.

Before using

- Please read the instructions carefully. Become familiar with the controls and the correct use of the machine.
- Always remove the battery to prevent the machine from being started accidentally. Always disconnect the battery before any maintenance on the machine.
- Before using the machine and after each impact, check for signs of wear or damage and, if necessary, repair.
- Check your work area. Remove all loose objects, such as stones, broken glass, nails, threads, etc., which could be thrown or caught in the blade or blade cover.
- The machine operator must ensure that no person or animal comes within 15 meters while working. Furthermore, when several operators operate in the same area, the safety distance must be at least 15 meters.
- Carry out a general check of the machine before using it, consult the maintenance schedules.
- Never use the machine with defective guards or guards, or without safety devices.

Preparation

- Get hearing protection and safety glasses. Always wear them while using the machine.
- Always wear sturdy shoes and long pants. Do not use the equipment barefoot or with open sandals.
- Do not wear loose clothing or jewelry. Keep your hair, clothes and gloves away from moving parts. Loose clothing, jewelry or long hair can get caught in moving parts.

To boot

- Use the correct tool. The cordless lawnmower is designed exclusively for cutting grass and weeds. It should not be used for any other purpose, such as hedge trimming, as this may cause injury.
- The cutting tool does not stop immediately after the machine is turned off.
- The machine is designed for shrub / grass only. Do not use the lawn mower for work other than that for which it was designed.
- Be careful, observe what you are doing and use common sense when using a power tool. Do not use a power tool if you are tired. A moment of inattention while using power tools can cause serious personal injury.
- This machine is not intended for use by persons (including children) with reduced physical, sensory or mental abilities or inexperience and knowledge, unless they have been supervised or instructed in the use of the machine by a responsible person. their safety. . Children must be supervised to ensure that they do not play with the machine.
- Do not allow children or other persons not trained in the use of the machine and / or the battery to use or repair it.

- Store the equipment in a lockable area so that it is out of the reach of children and unauthorized persons.
- Always keep hands and feet away from the cutting area, especially when starting the engine.
- Never use the machine if you are tired, if you are not 100% trained or if you are taking any medications that could affect your vision, judgment or coordination.
- Turn off the machine when you need to transport it. Always remove the battery when finishing work, storing the machine or passing it to someone else.

Other Warnings and Risks

- Use only accessories recommended by the manufacturer.
- Never use a machine that has been modified in any way from its original specification. Never use the machine near explosive or flammable materials.
- Never use a faulty machine. Carry out the safety checks, maintenance and service instructions described in this manual. Some maintenance and service measures must be performed by trained and qualified specialists.
- Use only replacement parts recommended by the manufacturer.
- Always make sure that the ventilation openings are free of debris.
- All covers, guards and handles must be in place before starting.
- Use the machine only in daylight or other good lighting conditions.
- Never use the machine in bad weather, such as in fog, rain, humidity or humid places, strong wind, intense cold, risk of lightning, etc. Also, extremely hot weather can cause the machine to overheat.

Note: Always use common sense - it is not possible to cover every conceivable situation you may encounter. Always be careful and avoid any situations that you feel are beyond your capabilities. If after reading these instructions you are still unsure of the operating procedures, you should consult an expert before proceeding.

Maintenance and conservation

- When the machine is stopped for maintenance, inspection or storage, or to replace an accessory, turn off the power, disconnect the machine from the power supply and make sure that all moving parts come to a complete stop.
- Allow the machine to cool down before making any inspections, adjustments or even putting it away.
- Please use the machine carefully and keep it clean.
- Store the machine in a dry place out of the reach of children.
- Replace worn or damaged parts. Use only original spare parts and accessories.

Attention



This power tool produces an electromagnetic field during operation. This field can, in some circumstances, interfere with active or passive medical implants.



To reduce the risk of serious injury, people with medical implants are advised to consult their physician before using this power tool. If the cable is damaged or cut during work, do not touch the cable, unplug the tool immediately. Never use the machine with a damaged cable.

The machine must not be humid and must not be used in a humid environment.



Attention

This machine produces an electromagnetic field during its operation. Safe operation of this machine is only possible when the operational or safety information has been completely read and the instructions contained therein have been strictly followed.



Save the instructions

A lawn mower can be dangerous if used incorrectly or negligently and can cause serious injury to the operator or bystanders.

It is extremely important that you read and understand the contents of this manual. Approved personal protective equipment must be worn every time the machine is used.

Personal protective equipment cannot eliminate the risk of injury, but will reduce the degree of injury in the event of an accident. Ask your dealer for help in choosing the right equipment.

Pay attention to warning signs or screams when wearing hearing protection. Always remove hearing protection as soon as the engine stops.

Technical data

Data sheet	
Voltage	20V
No loading speed	8200 rpm
Cutting diameter	300 mm
Sound power level [measured according to ISO22868]	92.8dB (A) K = 3
Sound pressure level [measured according to EN60335-1 + EN50636-2-91]	76.1dB (A) K = 3
Guaranteed sound power level	94dB (A)
Vibration levels in the handles (front / rear) [measured according to ISO22867]	1.28 / 1.02 m / s ² K = 1.5



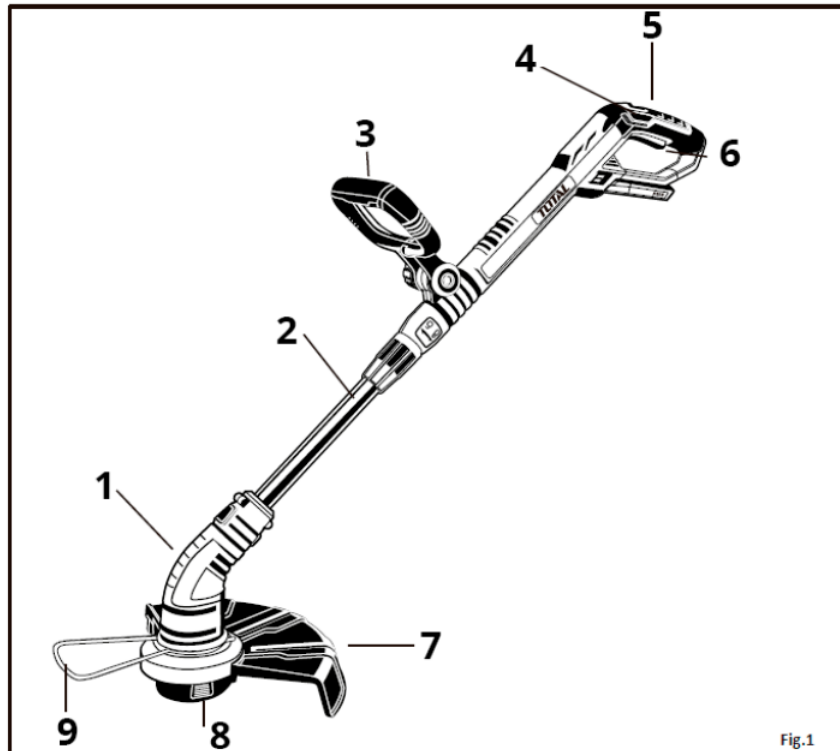
Attention

The vibration emission value during actual use of the power tool may differ from the declared value depending on how the tool is used, according to the following examples and other variations:

- How the tool is used.
- The instrument is in good condition and well maintained.
- Use the correct accessory for the tool and make sure it is in good condition.
- The force of the grip on the handles and any vibrations on the accessories are exploited.
- The tool is used as intended by the design and these instructions.
- This tool can cause hand-arm vibration syndrome if its use is not handled properly.

Product description

1. Trimmer / edge trimmer switch button
2. Extendable bar
3. Adjustable front handle
4. Trigger lock
5. ergonomic handle
6. Start Trigger
7. Protective cover
8. Cutting head
9. Protective clip



Note 2: Not all accessories illustrated or described in this manual are required to be included in the standard supply.

Product description (Fig. 1)

Safe use of this product requires an understanding of the product information contained in this user manual as well as a knowledge of the project being carried out. Before using this product, familiarize yourself with all the operational features and safety regulations.

Protective clip (9)

The protective clip, also known as a flower protector, is an easy-to-mount accessory that protects both garden plants and nylon when cutting.

Adjustable front handlebar (3)

The mower features a front handlebar assembly for ease of use and to prevent loss of control. The angle can be adjusted as needed.

Cutter / Edge Trimmer Switch Button (1)

Press this button and rotate the head 90 ° to insert the tool between the cutter and the edge bander.

Extendable bar (2)

The mower can be adjusted to various extension points for easy use.

Start trigger / switch (6)

The switch trigger, located under the handlebar or rear handle, and the lock button, located behind the auxiliary handle, must be pressed simultaneously to allow the blade to rotate.

Assembly and commissioning

Unpacking

- This product requires assembly.
- Carefully remove the product and any accessories from the package. Make sure all items listed on the packing list are included.
- Please carefully inspect the product to make sure there is no breakage or damage during shipping.
- Do not discard the packing material until you have carefully inspected and satisfactorily used the product.



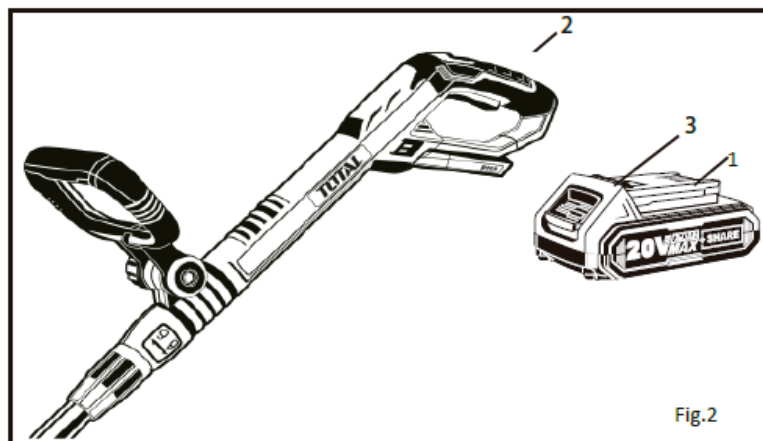
Warning

If any part is damaged or missing, do not use this product until the parts have been replaced. Failure to observe this warning could result in serious personal injury. Never use the instrument without the guard properly installed.

Assembly

Battery assembly

The battery is not charged at the time of purchase. Before using the trimmer for the first time, insert the battery pack into the charger and charge it. Make sure you read all the safety precautions and follow the instructions in the section



To install the battery(Fig.2)

- Align the tab (1) on the battery pack with the recess in the grip housing.
- Firmly grasp the handle or handle (2).
- Push the battery into the handle until the latch clicks into place.

Note: The battery pack fits snugly over the handle to prevent accidental detachment. It may take a little tug to remove it.

To remove the battery(Fig.2)

- Slide the battery latch button (3) down and hold it down.

- Firmly grasp the handle or handle (2).
- Pull the battery out of the handle.

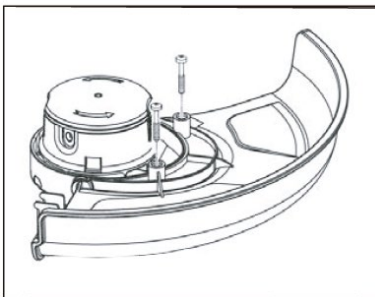


Warning

Follow these instructions to prevent injury and reduce the risk of electric shock or fire:

- Replace the battery or charger immediately if the battery case or charger cable is damaged.
- Make sure the switch is in the "OFF" position before inserting or removing the battery pack.
- Make sure the battery pack has been removed and the switch is in the "OFF" position before inspecting, adjusting or repairing any part of the trimmer.
- Read, understand and follow the instructions in the section titled Loading Procedure.

Positioning the guard (7)



Three screws must be used to hold the protective cover in the specified position.

Machine start / stop (Fig. 5)

The mower has a control switch and lock button which are used together to prevent accidental starting or injury.

- Place one hand on the handlebar (1). Place your other hand on the adjustable front handlebar (4).
- Press the lock button (2) and keep it pressed.
- Pull the trigger switch (3). The mower turns on.
- Release the lock button to OFF. The trimmer will remain on as long as the trigger and trigger switch are pressed to the ON position.
- The mower will stop if you release the trigger.

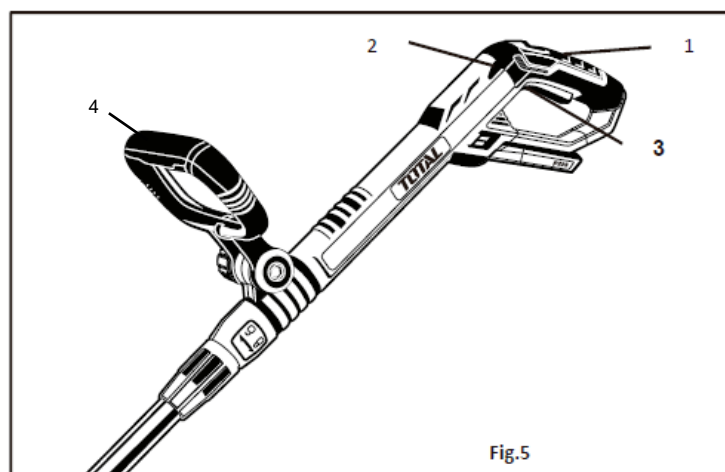


Fig.5

Use tips

- Hold the trimmer with your right hand on the rear handle and your left hand on the front handle.
- Maintain a firm grip with both hands as you run.
- The trimmer should be held in a comfortable position with the rear handle at hip height.
- Cut tall grass from top to bottom. This will prevent the grass from wrapping around the axle housing.
- If grass envelops the header:
 - Stop the machine.
 - Remove the battery.
 - Remove the grass.

To boot

Warning



Always keep the trimmer away from the body while maintaining the distance between the body and the trimmer. Any contact with the trimmer head during operation can cause serious personal injury.

Cutting feed

The machine is equipped with an automatic feeding head. Hitting the head in an attempt to advance the line will damage the trimmer and void the warranty.

- With the trimmer running, release the switch trigger.
- Wait two seconds and pull the switch trigger.

Note: The grass will extend approximately 1/4 "with each stop and move of the switch trigger until it reaches the length of the grass deflector blade.

- Resume cutting

Manual cutting feed

Remove the battery, then press the coil retention button while pulling the tool to manually advance it.

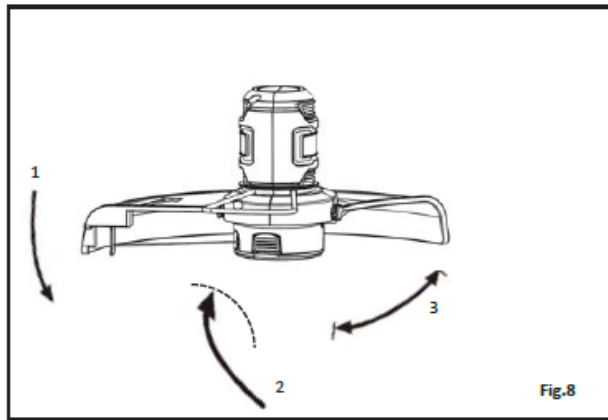
Knife cut

This brush cutter is equipped with a cutting blade on the grass guard. For a better cut:

- Advance the cut until the cutting blade cuts it to length.
- Advance the cut when you feel the motor spinning faster than normal or the cutting efficiency decreases. This will maintain the best performance and keep the turf long enough to feed properly.

Cutting indications (Fig. 8)

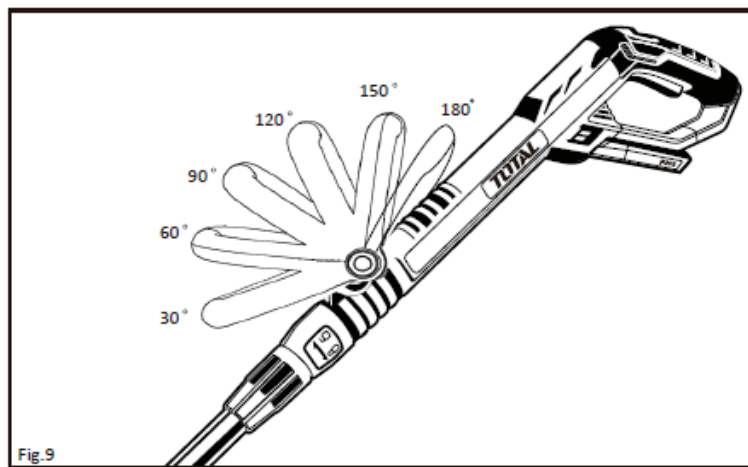
- Keep the machine tilted towards the area to be cut; this is the best cutting area.
- The machine cuts as the unit passes from left to right. This will prevent debris from being thrown at the operator. Avoid cutting in the hazardous area shown in figure 8.
- Cut only the tips of the grass. Do not force the reel into uncut grass.
- Wire and fences cause additional wear on the nylon, including breakage. Stone and brick walls, curbs and wood can quickly wear down the nylon.
- Avoid trees and bushes. Nylon can easily damage tree bark, wood finishes, siding, and posts.



1. Dangerous cutting area
2. Better cutting area
3. Direction of rotation

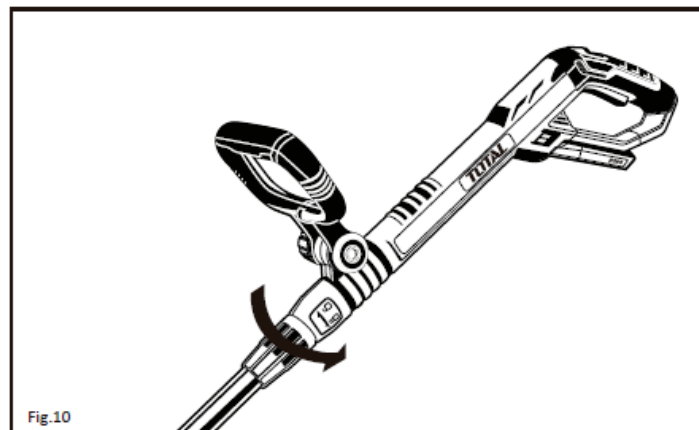
Front handle adjustment or adjustable front handle (3) (Fig. 9)

The inclination of the front handle can be adjusted in 2 steps from 30 ° (straight) to 90 ° and in 3 steps from 90 ° to 180 °. Therefore, there are several possible job positions.



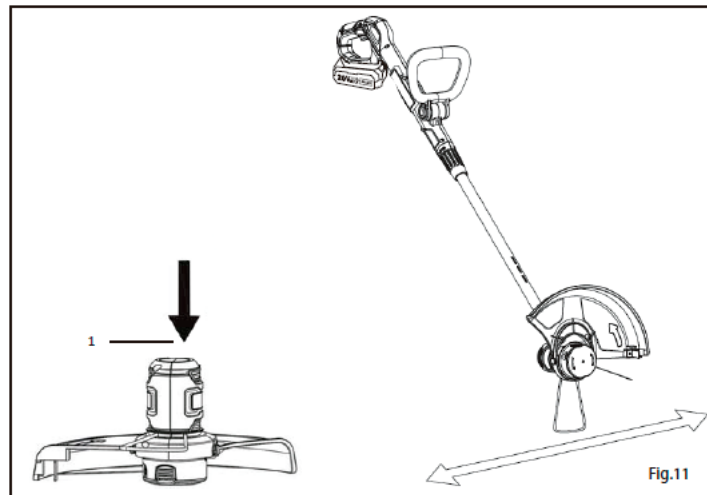
Adjusting the length of the extension bar (2) (Fig. 10)

Loosen the coupler (turn clockwise) and extend or lengthen it to the appropriate length, then tighten the coupler (turn counterclockwise).



Edges (Fig. 11)

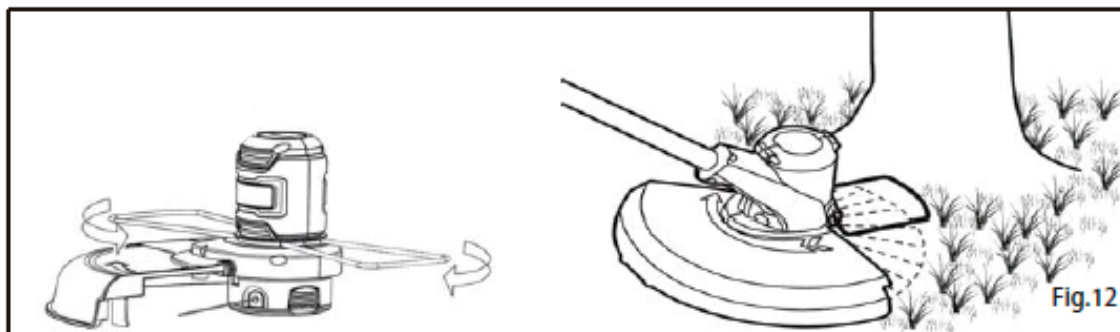
Remove the battery. Hold the front handle and press the shift button (1) and rotate the machine head 180 ° clockwise, then fix the head.



Working with the protection band (9)

Remember: the machine head may continue to rotate briefly after the edge cutter is turned off. Wait for the print head to come to a complete stop before adjusting the guard. Do not adjust it with your foot.

The guard clamp can limit the cutting radius of the cutting line and reduce the risk of the rotating cutting line being damaged.



Maintenance and cleaning

Before inspecting, cleaning or repairing the unit, stop the engine, wait for all moving parts to stop and remove the battery. Failure to follow these instructions can result in serious personal injury or property damage.

Maintenance

Warning

When performing maintenance, use only identical replacement parts. The use of any other part may create danger or cause damage to the product.

Always wear safety glasses or safety glasses with compliant side shields when using the tool. If this generates dust, also wear a dust mask.

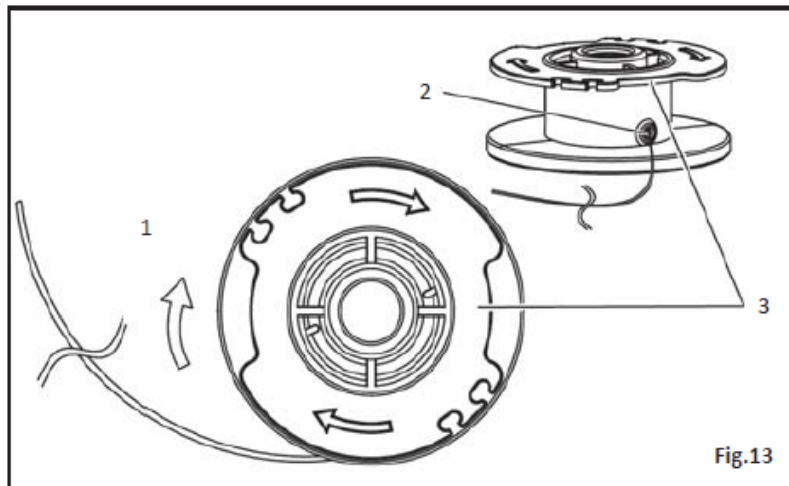
Coil replacement (Fig. 13)

Use only 0.65inch diameter monofilament. Use only manufacturer approved replacement nylon for best performance.

- Remove the battery.



- Push the tabs on the side of the spool retainer.
- Move the bobbin stopper up to remove it.
- Remove the coil.
- To install the new spool, make sure the nylon is held in the opposite grooves of the new spool.
- Install the new spool so that the nylon and slots line up with the eyelets in the head. Pass the nylon through the eyelets.
- Move the nylon so that it extends from the tip so that it detaches from the slots in the spool.
- Reinstall the spool retainer by pressing the tabs into the slots and pushing down until the spool retainer snaps into place.

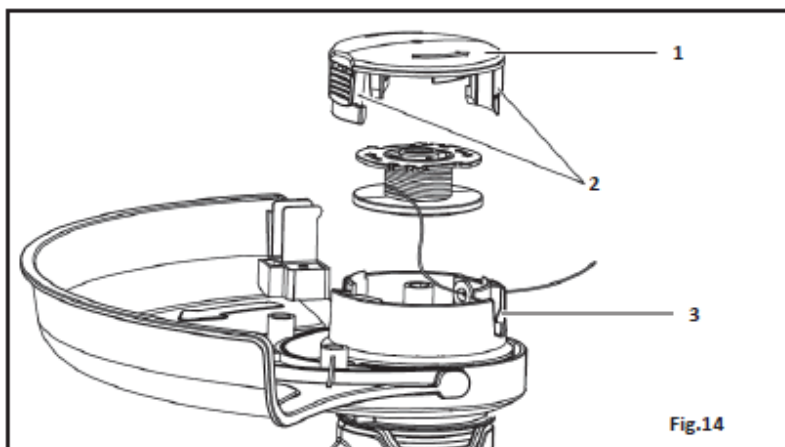


1. Wind clockwise 2. Eyelet 3. Coil

Replace the nylon (Fig. 13-14)

- Remove the battery.
- Remove the spool from the nylon head.

Note: Remove the old nylon remaining on the spool.



1. Coil 2. Tabs 3. Cable gland

- Use only 0.065 "(1.6 mm) diameter monofilament nylon.
- Insert the new nylon thread into the hole in the bobbin, then wind the thread around the bobbin in the direction indicated by the arrows on the bobbin.
- There should be at least 6 inches between the wrapped nylon and the outer edge of the spool.
- Thread the grass through the eyelets so that it comes out of the housing.

- Replace the plastic retainer, bobbin, and bobbin retainer.
- Reinstall the spool retainer by pressing the tabs into the slots and pushing down until the spool retainer snaps into place.

Charger maintenance

- Keep the magazine clean and free of debris.
- Prevent foreign material from entering the cavity or contacts.
- Clean the charger with a dry cloth. Do not use solvents or water and do not place the charger in humid environments.
- Please unplug the charger when the battery is low.
- Fully charge the batteries before storing them.
- Store the charger at normal room temperature. Do not store in excessive heat.
- Do not use the charger in direct sunlight. If the battery is hot, allow it to cool down before recharging.

Cleaning

- Avoid using solvents when cleaning plastic parts. Most plastics are susceptible to damage from various types of commercial solvents and can be damaged by their use.
- Use clean clothes to remove dirt, dust, oil, grease, etc.
- Avoid brake fluids, gasoline, petroleum based products, penetrating oils, etc. at no time come into contact with the plastic parts. Chemicals can damage, weaken or destroy plastics, resulting in serious personal injury.
- Periodically clean all foreign material from the trimmer head vents.

Storage

- Open the attachment of the telescopic arm and put it in the shortest position.
- Clean all foreign material from the trimmer.
- Keep it in a place inaccessible to children.
- Stay away from corrosive agents such as garden chemicals and antifreeze salts.

Note: If you are unsure of the required maintenance, how to perform it or perform other repairs not described in this manual, have it performed by an official Total dealer.

Troubleshooting

From the charger while charging

LED indicator	possible error	Possible solution
flashing red led	temperature deviation	Use the charger only when the ambient temperature is between 5 ° C and 40 ° C
Red LED on		Contact your service agent

Note: If you still can't get your tool to work, contact your service agent.

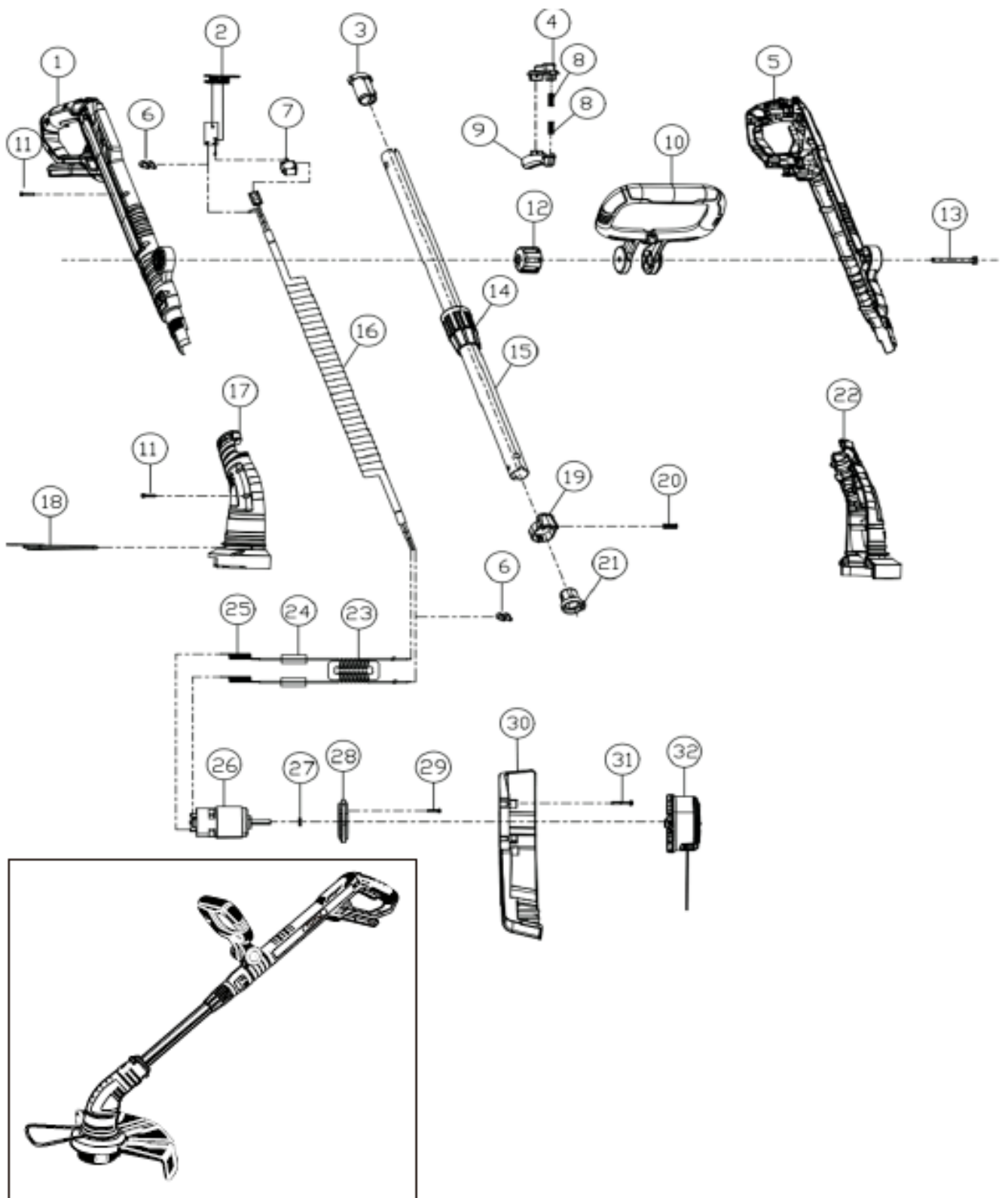
Problem	Possible cause	Solution
Nylon does not feed when using the automatic feed head	<ol style="list-style-type: none"> 1. The nylon is welded to itself. 2. Not enough nylon on the spool. 3. The grass is too short. 4. Grass is tangled in the spool. 	<ol style="list-style-type: none"> 1. Lubricate with silicone spray. 2. Install more nylon. 3. Pull the grass by alternately pressing and releasing the spool catch. 4. Remove the grass from the spool and replace the nylon
Nylon wraps around the driveshaft housing and headstock	<ol style="list-style-type: none"> 1. Mow tall grass at ground level. 	<ol style="list-style-type: none"> 1. Mow tall grass from top to bottom to prevent tangling.
Engine does not start when switch trigger is pulled	<p>The battery is not properly adjusted</p> <p>The battery is not charged.</p>	<p>Make sure the latches at the top of the battery pack snap into place.</p> <p>Charge the battery according to the instructions.</p>

Environment



- Do not dispose of electrical appliances as unsorted municipal waste, use separate waste collection facilities.
- Contact your local authority for information on available collection systems.
- If electrical appliances are disposed of in landfills, hazardous substances can infiltrate groundwater and enter the food chain, damaging health and well-being.
- Recycle raw materials instead of disposing of them as waste.
- The machine, accessories and packaging must be selected for ecological recycling.
- Plastic components are labeled for classified recycling.

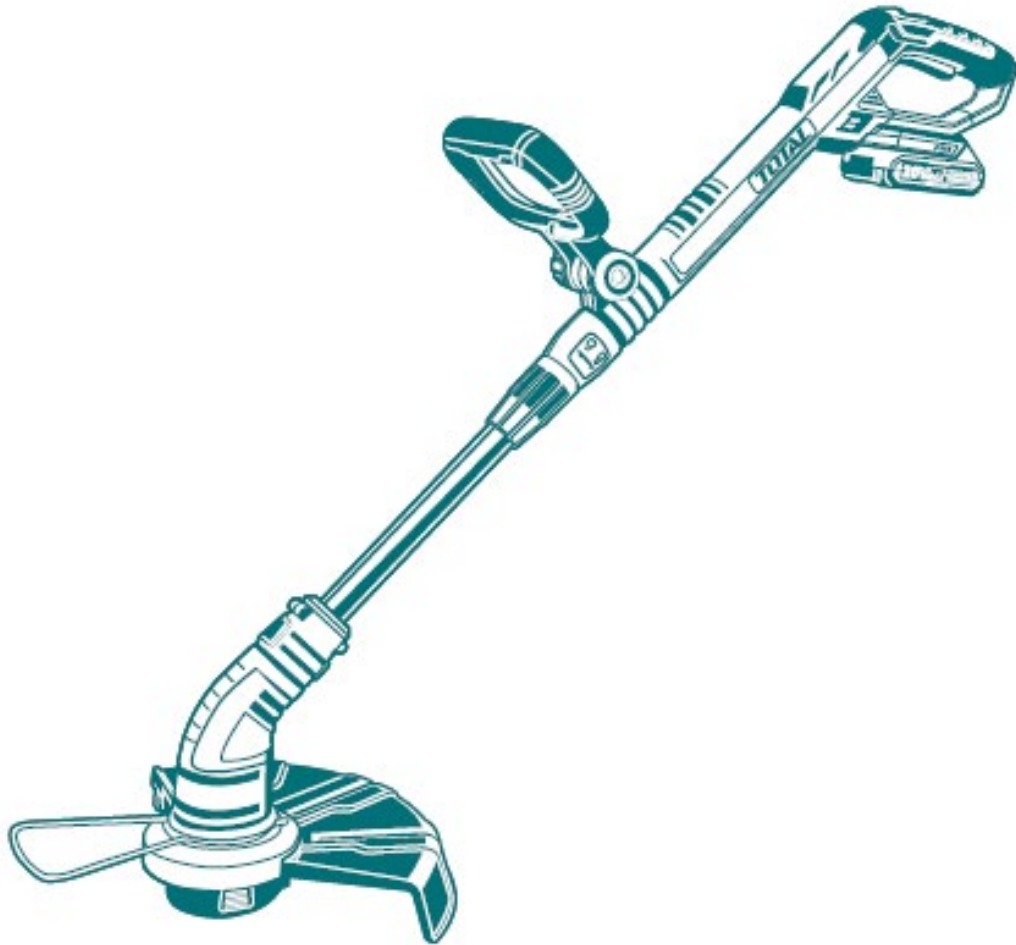
Exploded view



TOTAL

One-Stop Tools Station

TOTAL



BATTERY TRIMMER

20V