

TOTAL

One-Stop Tools Station

TOTAL

HEAT GUN

TB20036

INDUSTRIAL



2000W

Security instructions



Caution

Please read this manual and the safety instructions carefully before using the tool to reduce the risk of electric shock, fire or other injuries.

- Do not use the equipment as a hair dryer.
- Do not block the air inlet or outlet.
- If the power cord is damaged, it must be replaced by the manufacturer, its service agent or specialized persons in order to avoid danger.
- Do not use the equipment in an atmosphere with danger of explosion. Improper use can cause fire.
- Do not point the airflow directly at people or animals.
- Before storing the equipment after use, let it cool down completely and place it with the mouthpiece upwards.
- When not in use, always store the equipment in a dry, locked place inaccessible to children.
- Never leave the gun unattended when it is on.
- A fire may occur if the heat gun is not handled carefully, so be careful when using the tool in places where there are combustible materials.
- Do not apply to the same place for a long time.
- Be aware that heat can be conducted to combustible materials that are out of sight.
- Children should be supervised to ensure that they do not play with the tool.

Safety rules for correct use



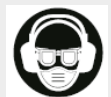
Double insulation for additional protection



Please read the instruction manual before use.



CE conformity.



Wear safety glasses, hearing protection and a dust mask.



Waste electrical products must not be disposed of with household waste. Please recycle at the appropriate facilities. Check with your local authority or retailer for recycling advice.



Security alert. Use only accessories supported by the manufacturer.

Technical data

Heat gun data sheet	
Power	2000W
Voltage	220-240V~50/60Hz
adjustable temperature	480°C/560°C
Air flow	250/380L/min

Product description

1. Mouthpiece
2. Casing
3. Switch
4. Cord protector



Heat Gun Uses

The heat gun is versatile, it can be used for different activities. Remember that it should not be used for activities not recommended by the manufacturer:

- Paint removal / adhesive dissolution.
- Shape plastic tubes.
- Welding plastics.
- Heat shrink fitting.
- Thaw water pipes.

Set up

- The gun starts to work when the switch is positioned up to position “II” for high level or to position “I” for low level.
- It stops working when the switch is moved down to the “Neutral” position. It can be packed when cool.

Start up

- Switched on:
 - Slide the switch to “I” or “II”
 - At level “I”: 250L/min and 50°C-480°C
 - At level “II”: 380L/min 50°C-560°C

Maintenance

- For safe and proper operation, always keep the ventilation slots clean.
- Waste electrical products must not be disposed of with household waste.

Please recycle at the appropriate facilities. Check with your local authority or retailer for recycling advice.

The appliance must only be used by qualified persons with knowledge and experience with this type of tool.

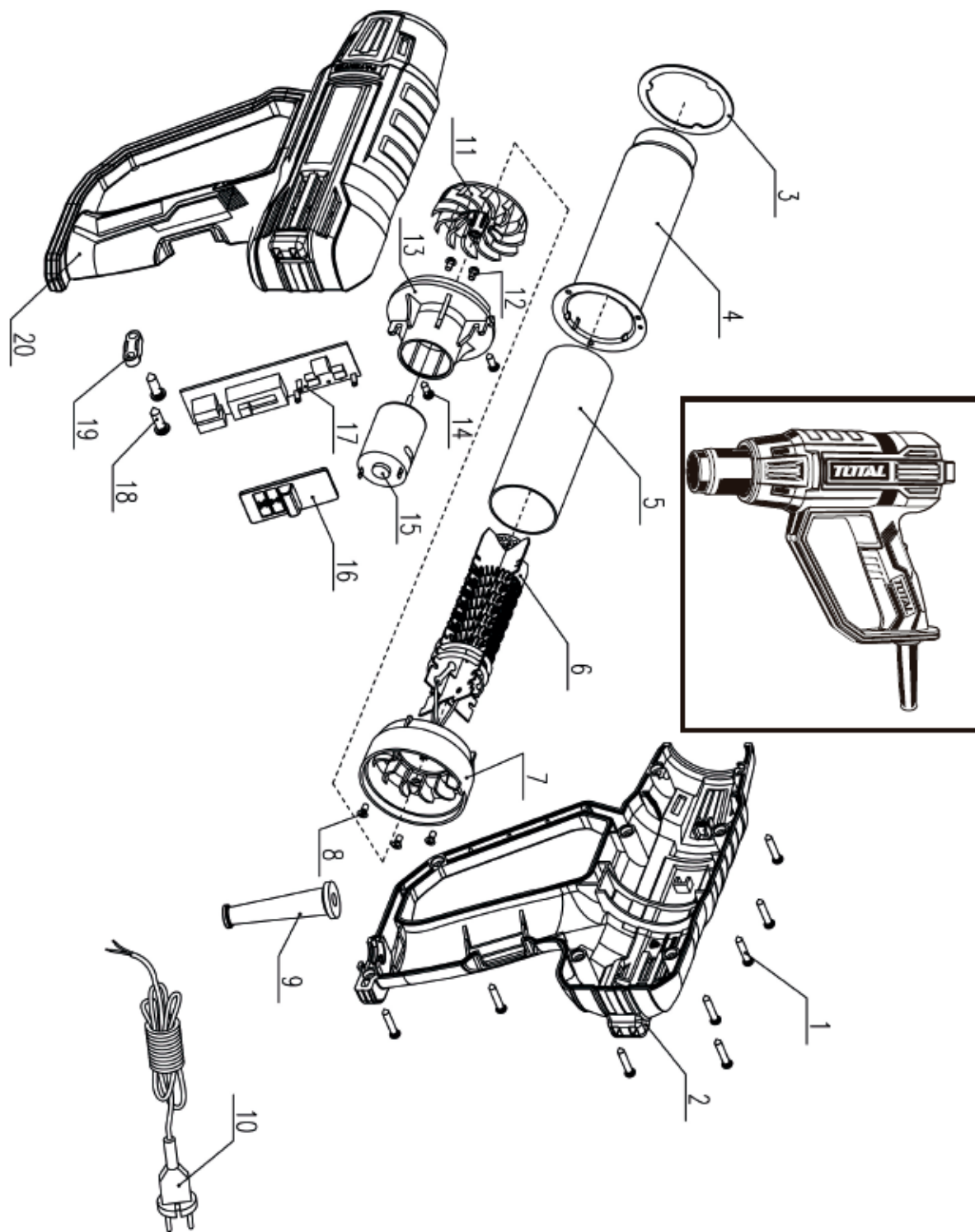
Environment

- Do not dispose of electrical appliances as unsorted municipal waste, use separate collection facilities.
- Contact your local authority for information on available collection systems.
- If electrical appliances are disposed of in landfills, hazardous substances can seep into the groundwater and enter the food chain, harming your health and well-being.

Exploded view



TB20036



TOTAL

One-Stop Tools Station

TOTAL



HEAT GUN

www.millasur.com