

# TOTAL

One-Stop Tools Station

TOTAL

## ASH VACUUM CLEANER

TAVC12202



# Security instructions



## Caution

Read all safety warnings and all instructions. Failure to follow all warnings and instructions may result in electrical shock, fire, and/or serious injury.

The term “power tool” in the warnings refers to your mains-operated (corded) power tool or battery-operated (cordless) power tool.

*Note: Save all warnings and instructions for future reference.*

### 1) Work area safety

- a. Keep the work area clean and well lit to prevent accidents.
- b. Do not use power tools in explosive atmospheres, such as in the presence of flammable liquids, gases, or dust that can cause fires.
- c. Keep children and other unauthorized persons away while using a power tool. Distractions can cause you to lose control of the tool.

### 2) electrical safety

- a. Power tool plugs must match the outlet. Never modify the plug in any way. Using a suitable plug reduces the risk of electric shock.
- b. Pull out the power plug under the following circumstances: Whenever the tool is not in use, before opening it, and before any cleaning and maintenance work.
- c. Avoid bodily contact with grounded surfaces such as pipes, radiators, ranges, and refrigerators. There is an increased risk of electric shock if your body is grounded.
- d. Do not expose power tools to rain or wet conditions. Water entering a power tool will increase the risk of electrical shock.
- e. Never use the cord to carry, pull or unplug the power tool. Keep the cable away from heat or oil. Do not use the machine if the power cord is not in perfect condition.
- f. When using a power tool outdoors, use an extension cord suitable for outdoor use.
- g. If using the tool in a damp location is unavoidable, use a Residual Current Device (RCD) protected supply to reduce the risk of electric shock.

### 3) Personal security

- a. Always stay alert, watch what you are doing and use common sense when using the tool.
- b. Do not use a power tool if you are tired or under the influence of medication or other substances.
- c. Wear personal protective equipment. Always wear eye protection. Protective equipment such as a dust mask, non-slip safety shoes, hard hat, or hearing protection used in the proper conditions will reduce personal injury. Also don't wear loose clothing or jewelry.
- d. Prevent the tool from turning on unintentionally. Make sure the switch is in the off position before connecting to power source and moving.
- e. Never leave the tool unattended when it is in operation.

- f. If devices are used for dust extraction and collection, make sure they are properly connected. Properly use these devices and you will reduce dust-related hazards.

#### **4) Use and care of power tools**

- a. Do not force the tool. Use the correct power tool for each use.
- b. Do not use the power tool if its power switch does not work. Any power tool that cannot be controlled with the switch is dangerous and must be repaired.
- c. Disconnect the plug from the power source before making any adjustments, changing accessories, or storing the tool to avoid accidental starting.
- d. Use the power tool, accessories and bits etc. in accordance with these instructions, taking into account the working conditions and the work to be carried out. Using the power tool for operations other than those intended could result in a hazardous situation.
- e. Store power tools out of the reach of children and do not allow people unfamiliar with the tool to use it.
- f. Carry out regular maintenance on power tools. Check for misalignment or binding of moving parts, breakage of parts, and any other conditions that may affect the operation of power tools. If it is damaged, have the power tool repaired before using it. Many accidents are caused by poorly maintained power tools.
- g. Keep accessories clean, as with proper maintenance they are less likely to clog and are easier to control.

#### **5) Service**

- a. Have your power tool serviced by a qualified person and use replacement parts recommended by the manufacturer. This will ensure that the safety of the power tool is maintained.
- b. These instructions for use must be with the product at all times.
- c. We cannot accept any liability for damages or accidents arising due to non-compliance with these instructions and the safety instructions.

## Safety rules for correct use



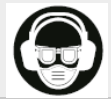
Double insulation for additional protection



Please read the instruction manual before use.



CE conformity.



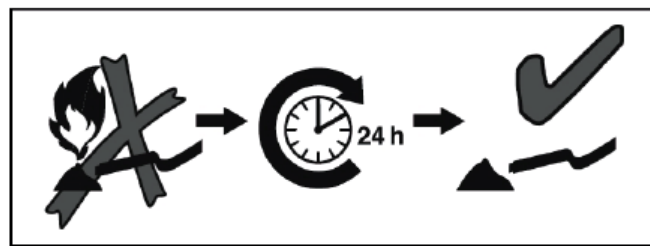
Wear safety glasses, hearing protection and a dust mask.



Waste electrical products must not be disposed of with household waste. Please recycle at the appropriate facilities. Check with your local authority or retailer for recycling advice.



Security alert. Use only accessories supported by the manufacturer.



Wait at least 24 hours before vacuuming a furnace or fireplace to make sure the fire is out and the ash has cooled. For cold ashes only.

## Additional security warnings

- The extracted material must not exceed a temperature of 40°C. If the temperature of the extracted material exceeds 40°C, there is a risk of fire. If the permissible temperature is exceeded, the extractor, the ash filter and the hoses could be damaged.
- Mined material that appears to have cooled on the outside may still be hot on the inside. Hot drawn material could reignite in the air stream.
- Before starting the extraction, wait until the material has completely cooled down. Hot ashes should not be purged with water, as the sudden difference in temperature can cause the chimney to break.
- Wait at least 24 hours before vacuuming a fireplace to make sure the fire is out and the ash has cooled.

- Check hoses, ash strainer, and extractor periodically during extraction to assess heating levels.
- If the vacuum gets hot, turn it off, unplug it and remove the filter bag. Separate the ash filter from the extractor and remove the extracted material. Then let the ash extractor and filter cool down in the open air, under supervision.
- If the power cord is damaged, it must be replaced.
- Cold ash is ash that has been cooled for a long enough time without pockets of embers inside. This can be confirmed by cleaning the ashes for embers using metal tools before using the ash vacuum cleaner. Cold ash does not give off any recognizable heat. After and before vacuuming, empty and clean the canister to prevent the buildup of materials that could pose a fire hazard on the vacuum.

## Other risks

Even when the power tool is used as prescribed, it is not possible to eliminate all residual risk factors:

- a. Health defects resulting from vibration emission if the power tool is used for a longer period of time or if it is not managed and maintained properly.
- b. Injuries and property damage due to broken fixtures breaking suddenly.



### Caution

This power tool produces an electromagnetic field during operation. This field can, in some circumstances, interfere with active or passive medical implants.

To reduce the risk of serious injury, we recommend that persons with medical implants consult their physician before using this power tool.



If the cable is damaged or cut during work, do not touch the cable, immediately unplug the tool. Never use the machine with a damaged cable.

The machine must not be damp and must not be used in a humid environment.



### Attention

Safe operation of this machine is only possible when the operating or safety information is fully read and the instructions contained therein are strictly followed.



## Technical data

Data sheet	
<b>Voltage</b>	220-240V
<b>Frequency</b>	50Hz
<b>Power</b>	1200W
<b>Tank capacity</b>	20L

## Product description

1. Handle
2. On/off switch
3. Vacuum cover
4. Fill level indicator
5. Hook lock
6. Container or tank
7. Suction hose connector
8. Suction tube
9. Flexible hose
10. Filter



*Note: Not all accessories illustrated or described need to be included in the standard delivery.*

### Expected use

The ash vacuum is designed to vacuum cold ashes or cold material residue from fireplaces, coal ovens, ashtrays or barbecues.

The machine must only be used for its prescribed purpose. Any other use is considered a case of misuse. The user will be responsible for any damage or injury caused as a result.

Please note that our vacuum cleaner has not been designed for use in commercial, commercial or industrial applications. Our warranty will be void if the vacuum cleaner is used in commercial, commercial or industrial activities or for equivalent purposes.

Never vacuum the following: lit matches, smoldering ashes and cigarette butts, combustible, caustic, flammable or explosive substances, vapors or liquids. Do not use the ash filter to extract hot, incandescent or flammable objects (eg charcoal, cigarettes...).

This vacuum cleaner is not suitable for sucking up dust that may be harmful to health. Store the vacuum cleaner in a dry indoor location.

Only use the vacuum cleaner for work for which it was designed.

Use only original accessories and spare parts. Have the vacuum cleaner repaired at your official Total dealer.

## Application area

- Substance to be vacuumed: cold ashes from fireplaces, wood/coal stoves, ashtrays, grill, ...
- Empty and clean the vacuum before and after vacuuming to prevent the build-up of materials that could pose a fire hazard in the vacuum.

## Use restriction

- Do not use for the separation of dust harmful to health (dust classes L, M, H).
- Vacuum only ashes of permissible fuels.
- Do not vacuum hot, burned or incandescent objects.
- Do not vacuum objects that are hotter than  $>40^{\circ}\text{C}$
- Do not vacuum any flammable substance.

# Set up

## Before starting the vacuum cleaner

- Before connecting the vacuum cleaner to the mains, make sure that the data on the nameplate is identical to the data on the mains.
- The vacuum cleaner must be connected to a shockproof power outlet.

## Mounting

### Handle Assembly (Fig. 2)

Use a screwdriver to mount the handle (1) with the two supplied screws.

### Assembly of the aspirator cover (Fig. 3)

- The aspirator cover (3) is fixed to the container or tank (6) by means of the locking hook (5).
- To remove the aspirator cover (3), open the locking hook (5) and remove the aspirator cover (3).
- When putting on the cover (3), make sure that the locking hook (5) engages correctly.
- Connect the suction tube (8) to the end of the flexible hose (9).
- Mount the suction tube (9) on the hose connector (7) and turn until it is secure.

### Filter assembly (Fig. 7-8)

Never use the ash vacuum cleaner without the filter. Always make sure that the filters are perfectly attached.

- Push the filter (10) into the cover (3) (Fig.7).
- Remove the filter in reverse order (Fig.8).

## Set up

### ON/OFF switch (Fig. 1)

Press the ON/OFF switch (2) to turn the equipment on and off.

### Fill level indicator (Fig. 1/9)

The ash vacuum cleaner is equipped with a fill level indicator (4). If the fill level indicator (4) shows a red bar, the contents of the tank need to be emptied or something is blocking the suction hose and needs to be cleaned.

The ash vacuum cleaner is not suitable for vacuuming combustible materials.

# Maintenance, cleaning and service

## Cleaning

Always unplug the power plug before starting any cleaning work.

Keep all safety devices, ventilation grills, and the motor housing free of dirt and dust as much as possible.

We recommend that you clean the vacuum immediately after use.

### Cleaning the vacuum head (Fig. 3)

Clean the vacuum cleaner regularly with a damp cloth and a little mild soap. Do not use cleaning agents or solvents; these can be aggressive to the plastic parts of the vacuum cleaner.

### Cleaning of the container (Fig. 6)

The container can be cleaned with a damp cloth and a little mild soap or with running water, depending on the amount of dirt.

### Filter cleaning (Fig. 8)

Clean the filter cartridge (10) by tapping lightly and brushing or blowing with low pressure compressed air.

## Service

At regular intervals and before each use, check that the filters of the ash vacuum cleaner are correctly fitted.

## Disposal and recycling

The vacuum cleaner is supplied packed to prevent damage during transport. This packaging is raw material and can therefore be reused or returned to the raw material system. The vacuum cleaner and its accessories are made of various types of materials, such as metal and plastic. Defective components must be disposed of as special waste.

## Maintenance and cleaning

Before doing any work on the machine itself, unplug the power cord.

- For safe and proper operation, always keep the machine and ventilation slots clean.
- A damaged dust cap must be replaced immediately. We recommend that this be carried out by an official dealer.
- Should the machine fail despite careful manufacturing and testing procedures, the repair must be carried out by an official dealer.

# Environment

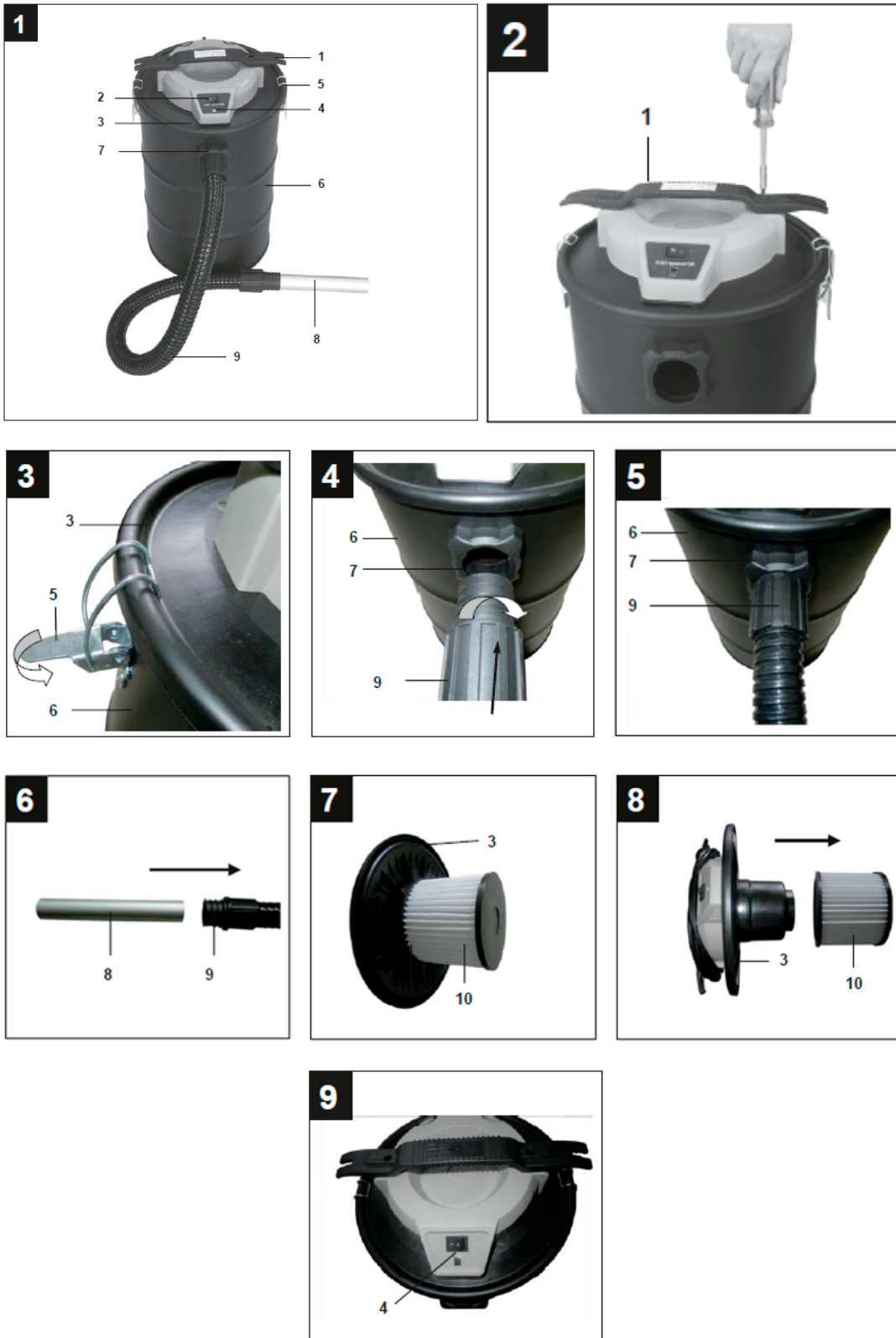


- Do not dispose of electric vacuum cleaners as unsorted municipal waste, use separate collection facilities.
- Contact your local authority for information on available collection systems.
- If electric vacuum cleaners are disposed of in landfills, hazardous substances can seep into the groundwater and enter the food chain, harming your health and well-being.

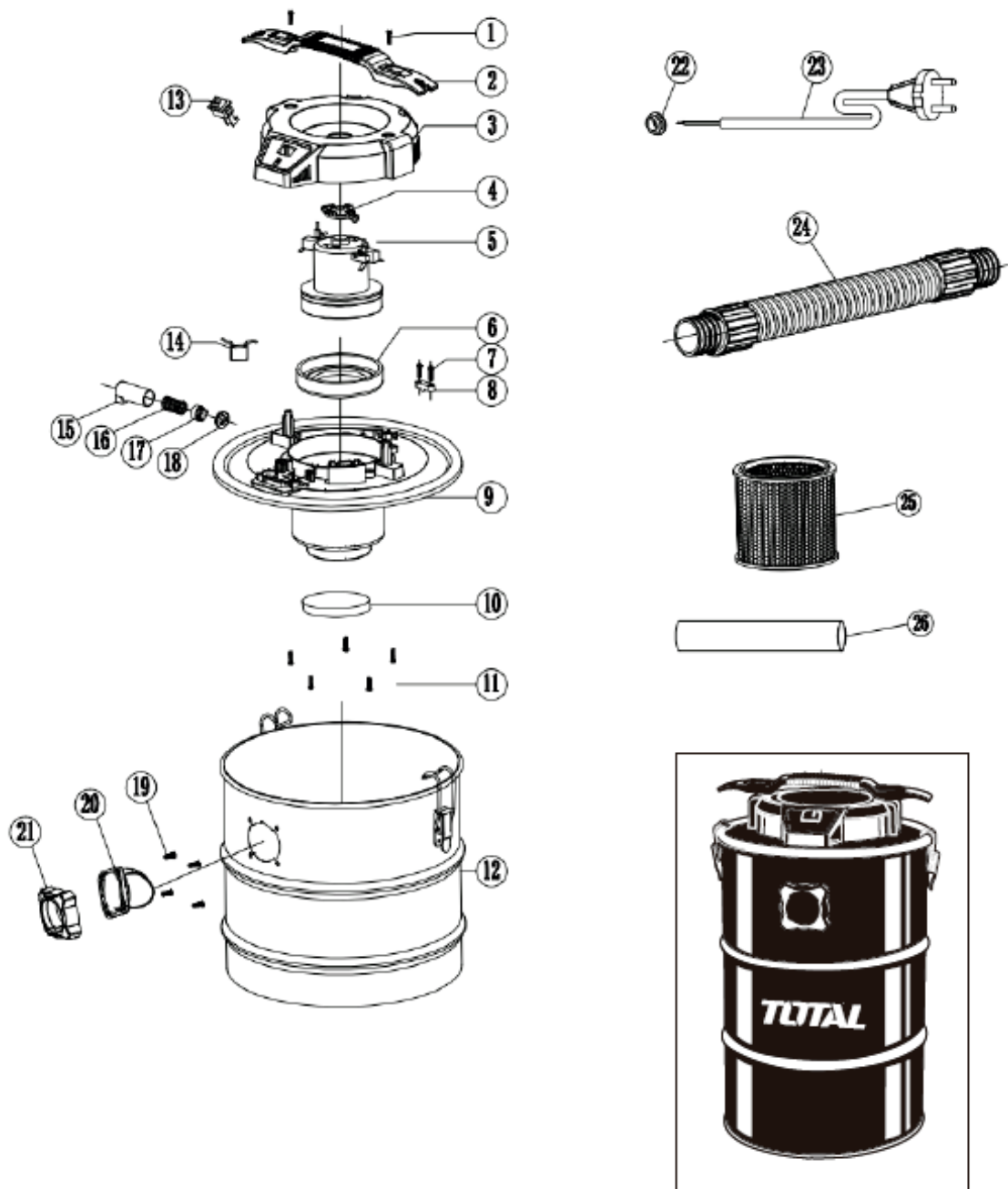


- Recycle raw materials instead of disposing of them as waste.
- The machine, accessories and packaging must be sorted for environmentally friendly recycling.

## Annex I. Images



# Exploded view



# TOTAL

One-Stop Tools Station

TOTAL



**ASH VACUUM CLEANER**