

# TOTAL

One-Stop Tools Station

TOTAL

IMPACT GUN 1/2"

TAT40122



EN



CE



610N.m(450Ft-lb)

# Security instructions



## Caution

Read all safety warnings and all instructions. Failure to follow all warnings and instructions may result in electrical shock, fire, and/or serious injury.

*Note: Save all warnings and instructions for future reference. Due to our ongoing I+D+I program, this document is subject to change without notice.*

## General safety guidelines

This product is part of a high-pressure system and the following safety precautions must be followed at all times along with any other existing safety rules.

1. Please read the manual of this product carefully.
2. You must be thoroughly familiar with the controls and the proper use of the equipment.
3. Only persons who are thoroughly familiar with these instructions may use the pneumatic tool.
4. Do not exceed the pressure rating of any system component.  
Do not exceed the maximum operating pressure of the air tool (90 PSI). The air tool could explode and cause serious injury.
5. Disconnect air tool from air supply before changing tools or accessories and when not in operation.
6. Always wear certified/approved safety glasses and hearing protection while operating the machine.
7. Do not wear loose clothing or clothing that contains loose fittings or ties, etc., which could become entangled in moving parts of the tool and cause serious personal injury.
8. Do not wear jewelry, watches, IDs, bracelets, necklaces, etc. when using any tools as they can get caught in moving parts and cause serious injury.
9. Make sure the trigger is not depressed when connecting the air hose. The machine could be accidentally started.
10. Never pry the tool when it is not applied to a work object. Accessories must be securely fastened. Loose accessories can cause serious injury.
11. Protect air lines from damage or punctures.
12. Never point an air tool at yourself or another person. Serious injury could occur.
13. Check air hoses for weakness or wear before each use. Make sure all connections are secure.
14. Keep all nuts, bolts, or screws tight and make sure the equipment is in safe operating condition.
15. Do not put your hands near or under moving parts.



## Caveat

Do not misuse the product, excessive exposure to vibration, work in awkward positions and repetitive work movements.

16. Keep children and bystanders away during operation of this tool.
17. If the tool is damaged, have it repaired before using it.
18. Do not smoke during use.
19. Always stay alert and attentive to what you are doing. Do not use the product if you are tired or under the influence of medication or other substances. A moment of inattention while operating cranes can result in serious personal injury.



## Important

The warnings mentioned in this manual cannot cover all possible conditions and situations that may occur. Operators must use common sense and use this tool with caution to prevent injury.

### 1) Work area safety

- a. Keep the work area clean and well-lit to prevent accidents.
- b. Do not use power tools in explosive atmospheres, such as in the presence of flammable liquids, gases, or dust that can cause fires.
- c. Keep children and other unauthorized persons away while using a power tool. Distractions can cause you to lose control of the tool.

### 2) electrical safety

- a. Power tool plugs must match the outlet. Never modify the plug in any way. Using a suitable plug reduces the risk of electric shock.
- b. Avoid bodily contact with grounded surfaces such as pipes, radiators, ranges, and refrigerators. There is an increased risk of electric shock if your body is grounded.
- c. Do not expose power tools to rain or wet conditions. Water entering a power tool will increase the risk of electrical shock.
- d. Never use the cord to carry, pull or unplug the power tool. Keep the cable away from heat or oil.
- e. When using a power tool outdoors, use an extension cord suitable for outdoor use.

### 3) Personal security

- a. Always stay alert, watch what you are doing and use common sense when using the tool.
- b. Do not use a power tool if you are tired or under the influence of medication or other substances.
- c. Wear personal protective equipment. Always wear eye protection. Protective equipment such as a dust mask, non-slip safety shoes, hard hat, or hearing protection used in the proper conditions will reduce personal injury. Also don't wear loose clothing or jewelry.
- d. Prevent the tool from turning on unintentionally. Make sure the switch is in the off position before connecting to power source and moving.

### 4) Service

- a. Have your power tool serviced by a qualified person and use replacement parts recommended by the manufacturer. This will ensure that the safety of the power tool is maintained.

## Other security rules



Please read the instruction manual before use.



CE conformity.



Wear safety glasses, hearing protection and a mask.



Waste electrical products must not be disposed of with household waste. Please recycle at the appropriate facilities. Check with your local authority or retailer for recycling advice.



Security alert. Use only accessories supported by the manufacturer.

## Other risks

Even when the power tool is used as prescribed, it is not possible to eliminate all residual risk factors:

- a. Health defects resulting from vibration emission if the power tool is used for a longer period of time or if it is not managed and maintained properly.
- b. Injuries and property damage due to broken fixtures breaking suddenly.

### Caution

This power tool produces an electromagnetic field during operation. This field can, in some circumstances, interfere with active or passive medical implants.



To reduce the risk of serious injury, we recommend that persons with medical implants consult their physician before using this power tool.

If the cable is damaged or cut during work, do not touch the cable, immediately unplug the pneumatic tool. Never use the machine with a damaged cable.

The machine must not be damp and must not be used in a humid environment.

### Attention

Safe operation of this machine is only possible when the operating or safety information is fully read and the instructions contained therein are strictly followed.



## Technical data

Data sheet	
<b>No load speed</b>	7000/min
<b>Air pressure required</b>	90PSI
<b>Average air consumption</b>	5.0CFM
<b>Maximum torque</b>	610N.m(450Ft-lb)
<b>Bolt capacity</b>	16mm (5/8")
<b>Air entrance</b>	1/4" NPT
<b>Required air hose size</b>	3/8"

## Functioning

### Before each use

- Drain water from air compressor tank and condensation from air lines. (Refer to the air compressor operation manual.)
- Lubricate the tool. (Refer to the "Maintenance" section in the manual).
- Select the necessary plugs. The socket must match the drive size of the air impact wrench.
- Connect the air impact wrench to the air source with the recommended size hose.

### Set up

- Turn on the air compressor and allow your tank to fill.
- Set the air compressor regulator to 90 PSI. This air impact wrench operates at a maximum air pressure of 90 PSI.
- Press the trigger to start using the tool.
- Release the trigger to stop the tool.
- When changing plugs, always turn off the air supply to avoid injury.
- When the work is finished, turn off the air compressor and put the air tool away after lubrication.

## Maintenance



### Attention

When performing maintenance, use only manufacturer-approved replacement parts. The use of any other replacement may create a hazard or cause damage to the product.

### Maintenance

#### Lubrication

Pneumatic tools require lubrication throughout the life of the tools. The air motor and bearing use compressed air to drive the tool, because the moisture in the compressed air will rust the air motor and other parts on the side of the tools, therefore daily lubrication is required. Failure to properly lubricate your air tool will drastically shorten the life of the tool and void your warranty.

This pneumatic tool requires lubrication before initial use, as well as before and after each additional use. To manually lubricate the pneumatic tool:

1. Remove any accessories from the drive of pneumatic tools, such as: bushings, chisels, etc.
2. Disconnect the tool from the air supply source, position the air inlet facing up.
3. Pull the trigger and put about 5cc of air tool oil into the air inlet. (Squeezing the trigger will help circulate the oil in the engine.)

*Note: Use SAE #10 oil if air tool oil is not available.*



### Caveat

Keep out of the reach of children. If ingested, do not induce vomiting, call a physician immediately.

4. Connect the tool to the air source, cover the exhaust end with a towel and let it run for about 20-30 seconds.

Any excess oil in the engine is immediately expelled out the exhaust port. Always direct the exhaust port away from people or objects.

### Storage

The air tool must be lubricated before storage. Follow the instructions under "Lubrication" except for step 4.



### Caveat

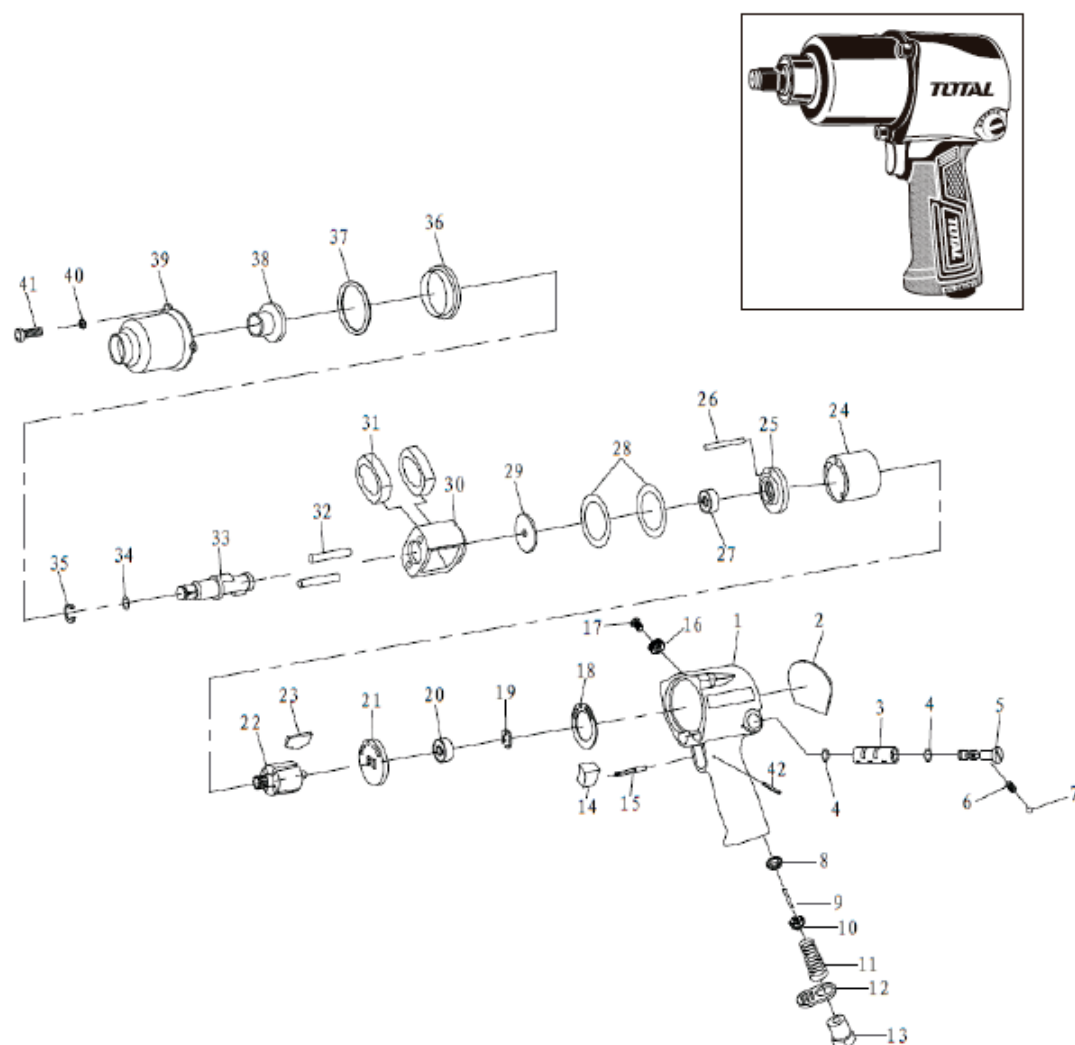
Do not at any time allow brake fluids, gasoline, petroleum-based products, penetrating oils, etc., to come into contact with plastic parts. Chemicals can damage, weaken, or destroy plastic, which can result in serious personal injury and property damage.

## Environment



- Do not dispose of electrical appliances as unsorted municipal waste, use separate collection facilities.
- Contact your local authority for information on available collection systems.
- If electrical appliances are disposed of in landfills, hazardous substances can seep into the groundwater and enter the food chain, harming your health and well-being.
- Recycle raw materials instead of disposing of them as waste.
- The machine, accessories and packaging must be sorted for environmentally friendly recycling.

# Exploded view



# TOTAL

One-Stop Tools Station

TOTAL



IMPACT GUN 1/2"

**610N.m(450Ft-lb)**