

TOTAL

One-Stop Tools Station

TOTAL

BATTERY AIR COMPRESSOR

TACLI2001



EN



CE



20V

Security instructions



Caution

Read all safety warnings and all instructions. Failure to follow all warnings and instructions may result in electrical shock, fire, and/or serious injury.

The term “power tool” in the warnings refers to your mains-operated (corded) power tool or battery-operated (cordless) power tool.

Note: Save all warnings and instructions for future reference. Due to our ongoing R&D&I program, the specifications in this document are subject to change without notice.

1) Work area safety

- a. Keep the work area clean and well lit to prevent accidents.
- b. Do not use power tools in explosive atmospheres, such as in the presence of flammable liquids, gases, or dust that can cause fires.
- c. Keep children and other unauthorized persons away while using a power tool. Distractions can cause you to lose control of the tool.

2) Electrical safety

- a. The plugs of the chargers must match the outlet. Never modify the plug in any way. Using a suitable plug reduces the risk of electric shock.
- b. Avoid bodily contact with grounded surfaces such as pipes, radiators, ranges, and refrigerators. There is an increased risk of electric shock if your body is grounded.
- c. Do not expose power tools to rain or wet conditions. Water entering a power tool will increase the risk of electrical shock.
- d. Never use the cable to carry, pull or unplug the charger. Keep the cable away from heat or oil.

3) Personal security

- a. Always stay alert, watch what you are doing and use common sense when using the tool.
- b. Do not use a power tool if you are tired or under the influence of medication or other substances.
- c. Wear personal protective equipment. Always wear eye protection. Protective equipment such as a dust mask, non-slip safety shoes, hard hat, or hearing protection used in the proper conditions will reduce personal injury. Also don't wear loose clothing or jewelry.
- d. Prevent the tool from turning on unintentionally. Make sure the switch is in the off position before connecting the battery and moving it.

4) Use and care of the battery tool

- a. Recharge the battery only with the charger specified by the manufacturer. An unsuitable charger can create a fire hazard.
- b. Use power tools only with specifically designated batteries. Use of other batteries may create a risk of injury or fire.
- c. When the batteries are not in use, keep it away from other metal objects, such as paper clips, coins, keys, nails, screws, or other small metal objects, that can make a connection from one terminal to another. Shorting the battery terminals can cause burns or fire.
- d. Abusive conditions can cause expulsion of liquid from the battery; avoid contact. If accidentally contacted, rinse immediately with water. If the

liquid comes into contact with the eyes, also seek medical help. Liquid expelled from the battery can cause irritation or burns.

- e. Do not use a battery or tool that is damaged or modified. They may exhibit unpredictable behavior resulting in fire, explosion, or risk of injury.
- f. Do not expose a battery or tool to fire or excessive heat. Exposure to fire or temperature above 130°C may cause an explosion.
- g. Follow all charging instructions. Do not charge the battery or tool outside the temperature range specified in the instructions. Improper charging or charging at temperatures outside the specified range may damage the battery or increase the risk of fire.

5) Service

- a. Have your power tool serviced by a qualified person and use replacement parts recommended by the manufacturer. This will ensure that the safety of the power tool is maintained.

Other security rules

Specific safety instructions

- Inspect tire inflator before each use and do not use if any component is bent, broken, burned, melted, wet, or damaged.
- Check the pressure of the tires before inflating them so as not to exceed the nominal pressure, since they can burst if they are over-inflated.
- Do not use the tire inflator on high pressure tires such as those used on commercial, agricultural, or specialty vehicles.
- Do not kink or block the air hose while the tire inflator is running.
- Do not use the tire inflator when the vehicle is in motion.
- The tire inflator is not designed for continuous use. Operation for a long period of time will overheat and damage the tire inflator. It should not be used continuously for more than 30 minutes. After 10 minutes, turn it off and let it cool down for 15 minutes before resuming operation.
- If the tire inflator makes an abnormal sound or the temperature of the unit is too high, turn it off immediately and let it cool down for at least 30 minutes before resuming operation.
- Do not leave the tire inflator unlocked when it is in operation and keep it out of the reach of children.
- When not in use, store the tire inflator in a cool, dry, dust-free place in the box.
- Do not place the tire inflator on or near direct heat sources or in locations where it will be exposed to direct sunlight for extended periods of time.
- Do not use the tire inflator in or near flammable environments.
- Use only the adapters supplied with the tire inflator.
- The tire inflator is not waterproof.
- Make sure that the cables and hoses connected to the tire inflator do not interfere with the safe operation of your vehicle.
- Never put the connector and adapters in the mouth, ear or eye, high risk of serious injury.
- The inflator contains no user-serviceable parts. Do not open it and contact your official Total distributor.
- For your own safety, be sure to carefully follow the instructions when using the air compressor. Other ways of use not mentioned in this manual may cause injury.

- Adjustments to the tool, accessories or adapters supplied by the manufacturer must be made and maintained in good repair.
- If your vehicle's fuse is blown, just replace it with an identically rated fuse.
- Improper use of the inflator can cause property damage and possibly harm the user. When using the digital tire inflator, make sure the vehicle is parked in a safe place, off the road, with the parking brake on, and where your personal safety is not at risk.

Additional Safety Rules - Chargers

- Before using charger, read all instructions, cautionary markings on charger and battery pack, and instructions for use of battery pack.
- Only charge your batteries indoors as the charger is designed for indoor use only.
- If the battery pack is cracked or otherwise damaged, do not insert it into the charger. There is danger of electric shock or electrocution.
- Do not allow any liquid to come into contact with the charger. There is danger of electric shock.
- The charger and the batteries supplied with it are specifically designed to work together. Do not try to charge the battery with any other charger than the one supplied.
- Do not pull the power cord to unplug it from the outlet.
- Do not use the charger if it has received a sharp blow, been dropped, or otherwise damaged. Take the charger to an authorized service center for inspection or repair.
- Do not disassemble the charger. Take it to an authorized service center when service or repair is required. Improper reassembly can result in a risk of fire, electric shock, or electrocution.
- To reduce the risk of electrical shock, unplug the charger from the power source before attempting to clean it. Removing the battery by itself does not reduce the risk.



Please read the instruction manual before use.



CE conformity.



Wear safety glasses, hearing protection and a mask.



Waste electrical products must not be disposed of with household waste. Please recycle at the appropriate facilities. Check with your local authority or retailer for recycling advice.



Security alert. Use only accessories supported by the manufacturer.



Wet conditions alert. Do not expose to rain or use in damp places.



Contains lithium ions



Risk of bursting. Do not adjust the regulator so that the outlet pressure is greater than the maximum pressure marked on the accessory. Do not use at pressure above 150 PSI.

Other risks

Even when the power tool is used as prescribed, it is not possible to eliminate all residual risk factors:

- a. Health defects resulting from vibration emission if the power tool is used for a longer period of time or if it is not managed and maintained properly.
- b. Injuries and property damage due to broken fixtures breaking suddenly.

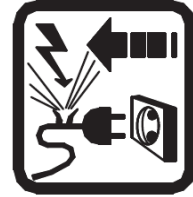


Caution

This power tool produces an electromagnetic field during operation. This field can, in some circumstances, interfere with active or passive medical implants.

To reduce the risk of serious injury, we recommend that persons with medical implants consult their physician before using this power tool.

The machine must not be damp and must not be used in a humid environment.



Attention

Safe operation of this machine is only possible when the operating or safety information is fully read and the instructions contained therein are strictly followed.



Technical data

Data sheet	
Power	20V DC
Measuring range	Max: 150PSI/10BAR/1000KPA
Measurement accuracy	±1 Psi, 25°C
Hose length	40cm
Velocity	3200/min
Flow rate	12L/min

*Change unit: 1bar = 100Kpa / 1psi = 6.89Kpa

Product description

This tool is designed to be used on battery power to inflate car, motorcycle and bicycle tires, balls, air mattresses, pool floats, etc.



1. Trigger
2. Accessory Storage Clips
3. digital caliper
4. Ball adapter
5. Adapter for inflatables
6. Tire valve adapter.
7. Inflator / Quick Coupler

Note: Not all accessories illustrated or described have to be included in the delivery.

Note 2: This product is specifically designed to work with Total's range of batteries and chargers.

Functioning

Using the digital caliper



- Bar: is the blue scale unit
- Psi: is the black scale unit

tire check

Check tires monthly. Improper inflation shortens the life and performance of your tires, increasing fuel consumption and compromising safety.

Vehicle tire inflation

- Uncoil all cable from tire inflator side, making sure all cable is uncoiled.
- Insert the appropriate adapter into the tool.
- Remove the tire valve cap and store it in a safe place.

- Plug the valve tip of the air hose directly into the tire's air valve.
- Press the lever down to lock it firmly.
- Press to select gauge measurement of Bar, kPa and Psi.
- Press the trigger to the proper level of pressure.



Note: Only inflate tires to manufacturer's specifications. Vehicle tire pressures can usually be found in the manual, on the door pillar, or on the inside of the fuel filler cap.

Inflation of leisure inflatables

- Select the proper adapter (4, 5, 6, 7) and screw it into the inflator or quick coupler (7).
- The adapters hook into the rear of the air compressor (2).
- Insert the connector adapter into the appropriate inlet on the inflatable.

Note: Only inflate products per manufacturer's specifications.

Cleaning

- Only clean the inflator with a clean, dry cloth.
- Do not use cleaning products.
- Make sure the inflator is free of dust or other debris before connecting it.

Maintenance



Attention

When performing maintenance, use only original spare parts. The use of any other non-genuine spare parts may create a hazard or cause damage to the product.

Always wear eye protection with side shields to comply with regulations. Failure to do so could result in possible serious injury.

Maintenance

- Always remove the battery pack from your tool when you are assembling parts, making adjustments, cleaning, or when not in use.
- This power tool does not require intensive maintenance like other types of tools; however, the ventilation slots in the motor housing must be kept clean. If the unit becomes defective, the repair must be carried out by an official dealer.
- Make sure your battery is always securely attached.
- Keep the battery clean and dry. Keep the charger in a dry room. Remove any traces of corrosion from the charging terminals.
- Avoid the use of solvents when cleaning plastic parts.

- Most plastics are susceptible to damage from various types of commercial solvents and can be damaged by their use. Use clean cloths to remove dirt, dust, oil, grease, etc.
- Never allow any liquid to enter the inflator. Never immerse any part of the inflator in liquid.
- Always store your inflator in a dry place.

accessory storage

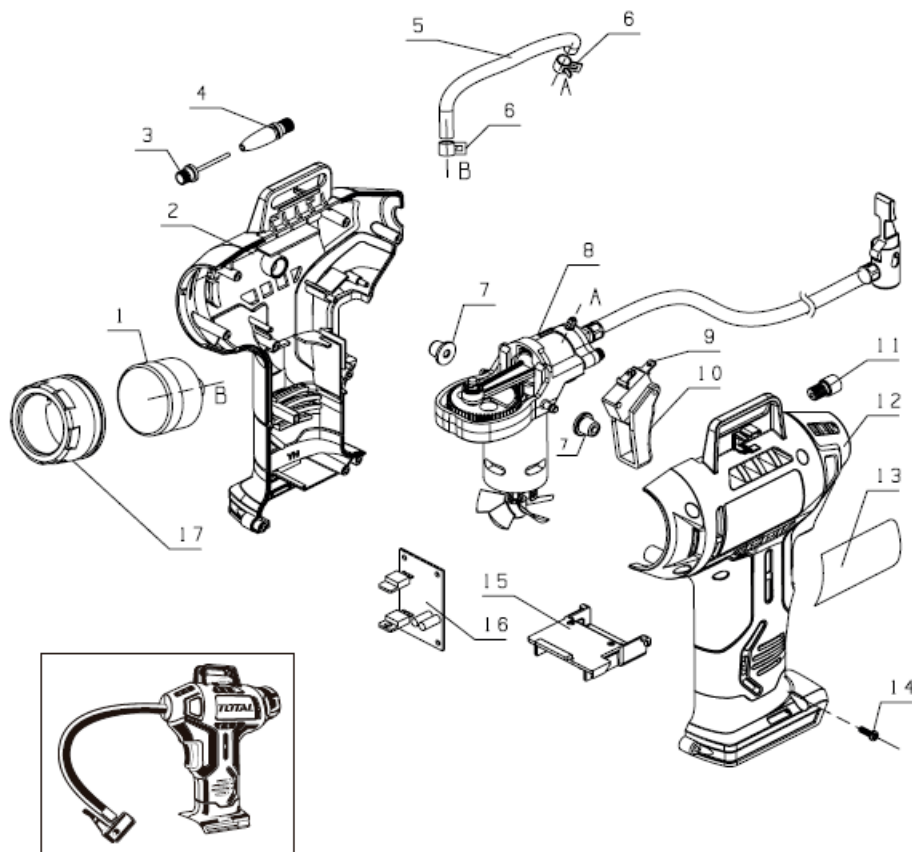
When not in use, the adapters provided with the inflator can be placed in the storage area located on the back of the inflator (2).

Environment



- Do not dispose of electrical appliances as unsorted municipal waste, use separate collection facilities.
- Contact your local authority for information on available collection systems.
- If electrical appliances are disposed of in landfills, hazardous substances can seep into the groundwater and enter the food chain, harming your health and well-being.
- Recycle raw materials instead of disposing of them as waste.
- The machine, accessories and packaging must be sorted for environmentally friendly recycling.

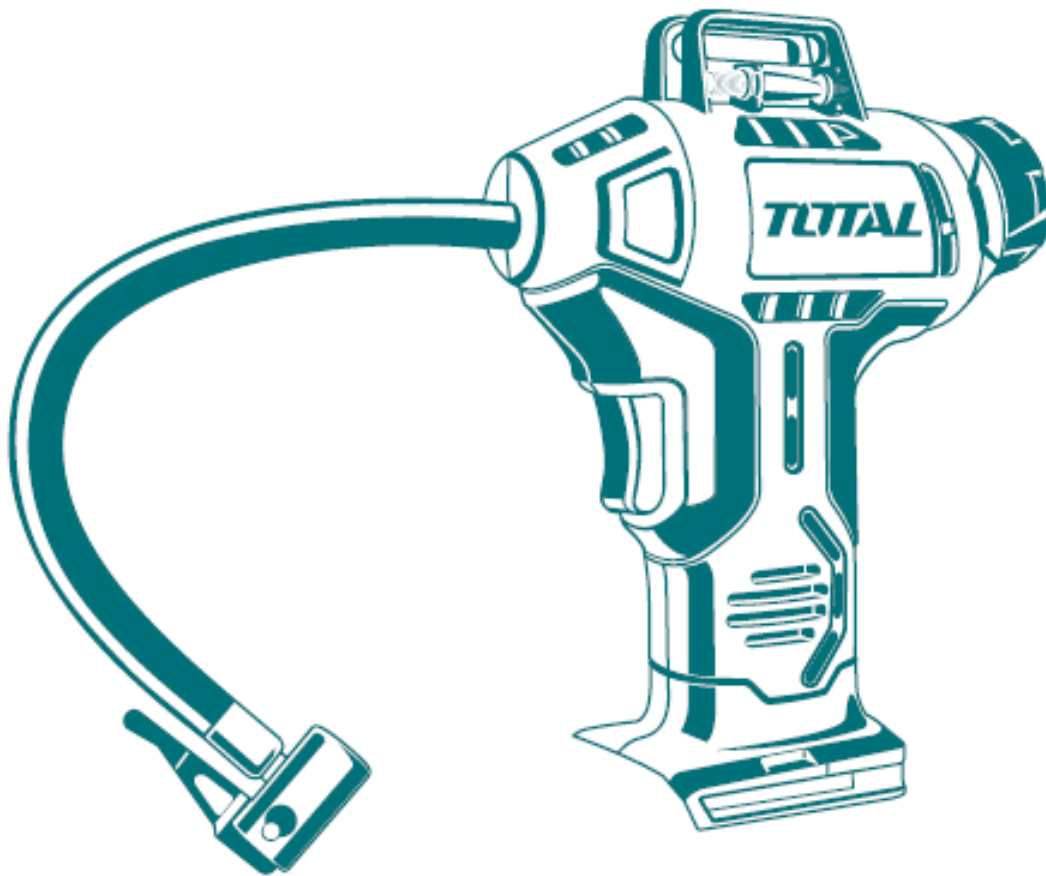
Exploded view



TOTAL

One-Stop Tools Station

TOTAL



BATTERY OPERATED AIR

20V